



- EN The manufacturer reserves the right to make changes to the product, release firmware updates, and update this manual at any time. Visit [www.segway.com](http://www.segway.com) or check the Segway-Ninebot app to download the latest user materials. You must install the app, activate your KickScooter, and obtain the latest updates and safety instructions.
- FR Le fabricant se réserve le droit d'apporter des modifications au produit, de publier des mises à jour du microprogramme et de réviser ce manuel à tout moment. Visitez [www.segway.com](http://www.segway.com) ou consultez l'application Segway-Ninebot pour télécharger les derniers contenus utilisateur. Vous devez installer l'application, activer votre trottinette et obtenir les dernières mises à jour et consignes de sécurité.
- DE Der Hersteller behält sich jederzeit das Recht von Produktänderungen, der Herausgabe von Firmware-Updates und der Aktualisierung dieses Handbuchs vor. Besuchen Sie [www.segway.com](http://www.segway.com) oder schauen Sie auf der Segway-Ninebot App nach, um sich die neuesten Benutzermaterialien herunterzuladen. Sie müssen die Segway-Ninebot App installieren und Ihren KickScooter aktivieren, um die neuesten Updates und Sicherheitshinweise zu erhalten.
- I T Il produttore si riserva il diritto di apportare modifiche al prodotto, aggiornare gli aggiornamenti del firmware e aggiornare questo manuale in qualsiasi momento. Visitare [www.segway.com](http://www.segway.com) o controllare l'app Segway-Ninebot per scaricare l'ultimo manuale utente e materiali. È necessario installare l'App, attivare il proprio KickScooter e ottenere gli ultimi aggiornamenti e le istruzioni di sicurezza.
- ES El fabricante se reserva el derecho a realizar cambios en el producto, actualizaciones del firmware y modificaciones de este manual en cualquier momento. Visita [www.segway.com](http://www.segway.com) o revisa la app para descargar los materiales de usuario más recientes. Debes instalar la aplicación Segway-Ninebot, activar tu KickScooter y obtener las actualizaciones e instrucciones de seguridad más recientes.
- P L Producent zastrzega sobie prawo do wprowadzania zmian w produkcie, aktualizacji oprogramowania i aktualizacji tej instrukcji obsługi w dowolnym momencie. Odwiedź stronę [www.segway.com](http://www.segway.com) lub sprawdź aplikację Segway-Ninebot, aby pobrać najnowsze materiały użytkownika. Musisz zainstalować aplikację, aktywować swojego KickScootera i uzyskać najnowsze aktualizacje i zasady bezpieczeństwa.
- N L De fabrikant reserves de Rechtsaf tot maken veranderingen tot de Product, laat los firmware updates, en update deze handleiding Bij elk tijd. Op bezoek komen [www.segway.com](http://www.segway.com) of controleren de Segway-Ninebot app tot downloaden de laatste gebruiker materialen. Jij moeten installeren de app, activeren uw KickScooter, en verwerven de laatste updates en veiligheid instructies.
- EN The pictures shown are for illustration purposes only. The actual product may vary.
- FR La photo est pour référence seulement. Veuillez vous référer au produit réel pour plus de détails.
- DE Das Bild dient nur als Referenz. Das tatsächliche Produkt kann abweichen. Bitte beziehen Sie sich auf das aktuelle Produkt für weitere Details.
- I T La figura è da considerarsi solo come riferimento. Si prega di far riferimento al prodotto attuale per maggiori dettagli.
- ES La imagen es solo de referencia. Remítase al producto en sí para ver más detalles.
- P L Rysunek jest tylko poglądowy. Szczegóły znajdują się w faktycznym produkcie.
- N L De afbeeldingen getoond zijn voor illustratie doeleinden enkel en alleen. De feitelijk Product kunnen variëren.



# Ninebot KickScooter

EN Product Manual

FR Manuel du Produit

DE Produkt-Handbuch

IT Manuale del prodotto

ES Manual del producto

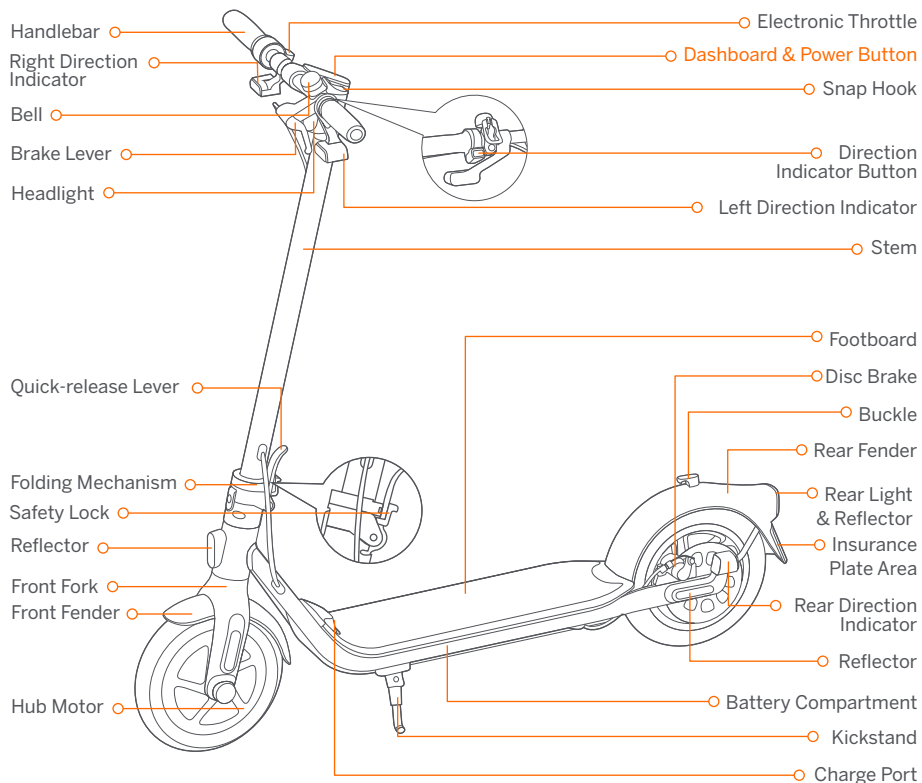
PL Instrukcja produktu

NL Product Handleiding

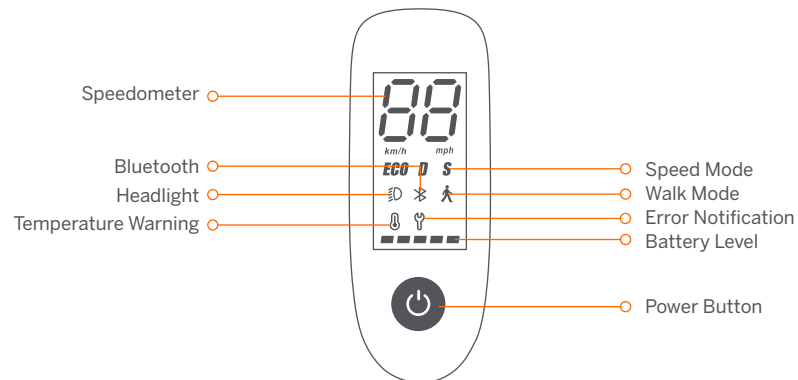


ninebot®

## 1 Diagram



## Dashboard & Power Button



**Power Button:** Press the button to turn on; press and hold the button for 3 seconds to turn off. When the KickScooter is on, press the button to turn on/off the headlight and the rear light, and press twice to switch between the speed modes.

**Speedometer:** It displays the current speed of the scooter, as well as error codes.

**Walk Mode:** Max. speed is 5 km/h (3.1 mph).

**F25I / F40I:** The headlight and rear light keep flashing and can't be turned off.

\* How to enable in the Segway-Ninebot app: Tap the sidebar menu > **Settings** > **Walk Mode**.

**Speed Mode:** There are three modes available. The top speed is as follows:

Mode	Model	F25I	F40I
<b>ECO</b> (Energy-saving mode)		15 km/h	15 km/h
<b>D</b> (Standard mode)		20 km/h	20 km/h
<b>S</b> (Sport mode)		25 km/h	25 km/h

**Error Notification:** It indicates that the scooter has detected an error.

**Temperature Warning:** It indicates that the battery temperature has reached 55°C (131°F) or is below 0°C (32°F).

\* At this point, the vehicle cannot accelerate normally and may not be charged. Do not use until the temperature has reverted to the normal range.

**Bluetooth:** It indicates that the scooter has been successfully connected to the mobile device.

**Battery Level:** The total battery level equals 5 bars.

\* The battery power is very low when the first battery bar is red. Please charge your KickScooter immediately.

## 2 Specifications

	Item	Parameter
Product	Name	Ninebot KickScooter
	Model	F25I
	Length × Width × Height	Approx. 1143 × 480 × 1160 mm (45 × 18.9 × 45.7 in)
	Folded: Length × Width × Height	Approx. 1143 × 480 × 495 mm (45 × 18.9 × 19.5 in)
	Net Weight	Approx. 15.3 kg (33.7 lbs)
Rider	Payload	40–100 kg (88–220 lbs)
	Recommended Age	14–60 years
	Required Height	120–200 cm (3'11"–6'6")
Machine	Max. Speed	Approx. 25 km/h (15.5 mph)
	Typical Range <sup>[1]</sup>	Approx. 25 km (15.5 miles)
	Max. Slope	Approx. 10%
	Traversable Terrain	Bicycle lanes, parks, campuses and most of the flat road conditions and typical Belgian roads
	Operating Temperature	-10–40°C (14–104°F)
	Storage Temperature	-10–50°C (14–122°F)
	IP Rating	IPX5
	Duration of Charging	Approx. 5 h
Battery	Nominal Voltage	36 V $\equiv$
	Max. Charging Voltage	42 V $\equiv$
	Charging Temperature	0–40°C (32–104°F)
	Nominal Capacity	7650 mAh
	Nominal Energy	275 Wh
	Battery Management System	Over-heating, short circuit, over-current, over-discharge and over-charge protection
Motor	Nominal Power	0.3 kW, 300 W
Charger	Output Power	0.07 kW, 70 W
	Input Voltage	100–240 V-
	Max. Output Voltage	42 V $\equiv$
	Rated Output	41 V $\equiv$ , 1.7 A
Features	Brake Light	LED Rear Light
	Speed Modes	Energy-saving mode, Standard mode and Sport mode
Tire	Tire Pressure	40–45 psi
	Tires	10-inch pneumatic tire

[1] Typical Range: tested while riding with a full battery, 75 kg (165 lbs) load, 25°C (77°F), at the speed of 16 km/h (9.9 mph) on average on pavement.

\* Some of the factors that affect range include speed, number of starts and stops, ambient temperature, etc.

	Item	Parameter
Product	Name	Ninebot KickScooter
	Model	F40I
	Length × Width × Height	Approx. 1143 × 480 × 1160 mm (45 × 18.9 × 45.7 in)
	Folded: Length × Width × Height	Approx. 1143 × 480 × 495 mm (45 × 18.9 × 19.5 in)
	Net Weight	Approx. 17.1 kg (37.7 lbs)
Rider	Payload	40–120 kg (88–265 lbs)
	Recommended Age	14–60 years
	Required Height	120–200 cm (3'11"–6'6")
Machine	Max. Speed	Approx. 25 km/h (15.5 mph)
	Typical Range <sup>[1]</sup>	Approx. 40 km (24.9 miles)
	Max. Slope	Approx. 20%
	Traversable Terrain	Bicycle lanes, parks, campuses and most of the flat road conditions and typical Belgian roads
	Operating Temperature	-10–40°C (14–104°F)
	Storage Temperature	-10–50°C (14–122°F)
	IP Rating	IPX5
	Duration of Charging	Approx. 6.5 h
Battery	Nominal Voltage	36 V $\equiv$
	Max. Charging Voltage	42 V $\equiv$
	Charging Temperature	0–40°C (32–104°F)
	Nominal Capacity	10.2 Ah
	Nominal Energy	367 Wh
	Battery Management System	Over-heating, short circuit, over-current, over-discharge and over-charge protection
Motor	Nominal Power	0.35 kW, 350 W
Charger	Output Power	0.07 kW, 70 W
	Input Voltage	100–240 V-
	Max. Output Voltage	42 V $\equiv$
	Rated Output	41 V $\equiv$ , 1.7 A
Features	Brake Light	LED Rear Light
	Speed Modes	Energy-saving mode, Standard mode and Sport mode
Tire	Tire Pressure	50–55 psi
	Tires	10-inch tubeless tire

[1] Typical Range: tested while riding with a full battery, 75 kg (165 lbs) load, 25°C (77°F), at the speed of 16 km/h (9.9 mph) on average on pavement.

\* Some of the factors that affect range include speed, number of starts and stops, ambient temperature, etc.

### 3 Certifications

#### European Union Compliance Statement Important WEEE information



This symbol on the product or on its packaging indicates that used electrical and electronic products should not be mixed with unsorted municipal waste. For proper treatment, it is your responsibility to dispose of your waste equipment by arranging to return it to designated collection points.

Disposing of this product correctly will help save valuable resources and prevent any potential negative effects on human health and the environment, which could otherwise arise from inappropriate waste handling.

Penalties may be applicable for incorrect disposal of this waste, in accordance with your national legislation.

Please contact your local authority for further details of your nearest designated collection point.

#### Battery recycling information for Users



This symbol means that batteries and accumulators, at their end-of-life, should not be mixed with unsorted municipal waste. Your participation is an important part of the effort to minimize the impact of batteries and accumulators on the environment and on human health. For proper recycling you can return this product or the batteries or accumulators it contains to your supplier or to a designated collection point.

Disposing of this product correctly will help save valuable resources and prevent any potential negative effects on human health and the environment, which could otherwise arise from inappropriate waste handling.

Penalties may be applicable for incorrect disposal of this waste, in accordance with your national legislation.

there are separate collection systems for used batteries and accumulators.

Please, dispose of batteries and accumulators correctly at your local community waste collection/recycling center.

#### Radio Equipment Directive

Ninebot (Changzhou) Tech Co., Ltd. hereby declares that the product listed in this section comply with the essential requirements and other relevant provisions of the Radio Equipment Directive 2014/53/EU.

#### Restriction of the use of certain hazardous substances (RoHS) Directive

Ninebot (Changzhou) Tech Co., Ltd. hereby declares the whole product including parts (cables, cords, and so on) meets the requirements of RoHS Directive 2011/65/EU and amendment Commission Delegated Directive (EU) 2015/863 on the restriction of the use of certain hazardous substances in electrical and electronic equipment ("RoHS recast" or "RoHS 2.0").

#### Machinery Directive

Ninebot (Changzhou) Tech Co., Ltd. hereby declares that the product listed in this section comply with the essential requirements and other relevant provisions of the Machinery Directive 2006/42/EC.



EU Authorised Representative:

Segway-Ninebot Europe

Dynamostraat 7, 1014 BN Amsterdam, The Netherlands.

Ninebot (Changzhou) Tech Co., Ltd. hereby declares that the product model: F25i, F40i comply with the essential requirements and other relevant provisions of the Radio Equipment Directive 2014/53/EU, the machinery directive 2006/42/EC, and the RoHS Directive 2011/65/EU and amendment Commission Delegated Directive (EU) 2015/863. The declaration of conformity can be viewed at the following address: <http://eu-en.segway.com/support-instructions>

#### UK Compliance Statement

#### Radio Equipment Regulations 2017

Ninebot (Changzhou) Tech Co., Ltd. hereby declares that the product listed in this section comply with the essential requirements and other relevant provisions of Radio Equipment Regulations 2017.

#### The Restriction of the Use of Certain Hazardous Substances in Electrical and Electronic Equipment Regulations 2012

Ninebot (Changzhou) Tech Co., Ltd. hereby declares the whole product including parts (cables, cords, and so on) meets the requirements of The Restriction of the Use of Certain Hazardous Substances in Electrical and Electronic Equipment Regulations 2012.

#### Supply of Machinery (Safety) Regulations 2008

Ninebot (Changzhou) Tech Co., Ltd. hereby declares that the product listed in this section comply with the essential requirements and other relevant provisions of The Safety of Supply of Machinery (Safety) Regulations 2008.



UK Authorised Representative:

UKCA Experts Ltd.

Dept 302, 43 Owston Road Carcroft, Doncaster, DN6 8DA, United Kingdom

Ninebot (Changzhou) Tech Co., Ltd. hereby declares that the product model: F25I, F40I comply with the essential requirements and other relevant provisions of the Radio Equipment Regulations 2017, Supply of Machinery (Safety) Regulations 2008 and the Restriction of the Use of Certain Hazardous Substances in Electrical and Electronic Equipment Regulations 2012.

The declaration of conformity can be viewed at the following address: [www.segway.com](http://www.segway.com)

Bluetooth	Frequency Band(s)	2.4000-2.4835 GHz
	Max. RF Power	20 mW

#### 4 Trademark

Ninebot is the registered trademark of Ninebot (Beijing) Tech Co., Ltd; Powered by Segway, Segway and the Rider Design are the registered trademarks of Segway Inc., Bluetooth is the registered trademark of BLUETOOTH SIG, INC.; Android, Google Play are trademarks of Google Inc., App Store is a service mark of Apple Inc., The respective owners reserve the rights of their trademarks referred to in this manual.

The KickScooter is covered by relevant patents. For patent information, go to <http://www.segway.com>

We have attempted to include descriptions and instructions for all the functions of the KickScooter at the time of printing. However, due to constant improvement of product features and changes of design, your KickScooter may differ slightly from the one shown in this document. Visit the Apple App Store (iOS) or the Google Play Store (Android) to download and install the App.

Please note that there are multiple Segway and Ninebot models with different functions, and some of the functions mentioned herein may not be applicable to your unit. The manufacturer reserves the right to change the design and functionality of the KickScooter product and documentation without prior notice.

© 2022 Ninebot (Beijing) Tech Co. Ltd. All rights reserved.

(※The Segway-Ninebot App can support KickScooter with built-in Bluetooth)

## 5 Recommended Maintenance Schedule

To ensure safe riding, day to day care and regular maintenance are essential. You, the owner, have control and knowledge of how often you use your scooter, how hard you use it and where you use it. It is the owner's responsibility to perform regular checks and bring your scooter to authorized service center for inspection and service. Please refer to the maintenance schedule below.

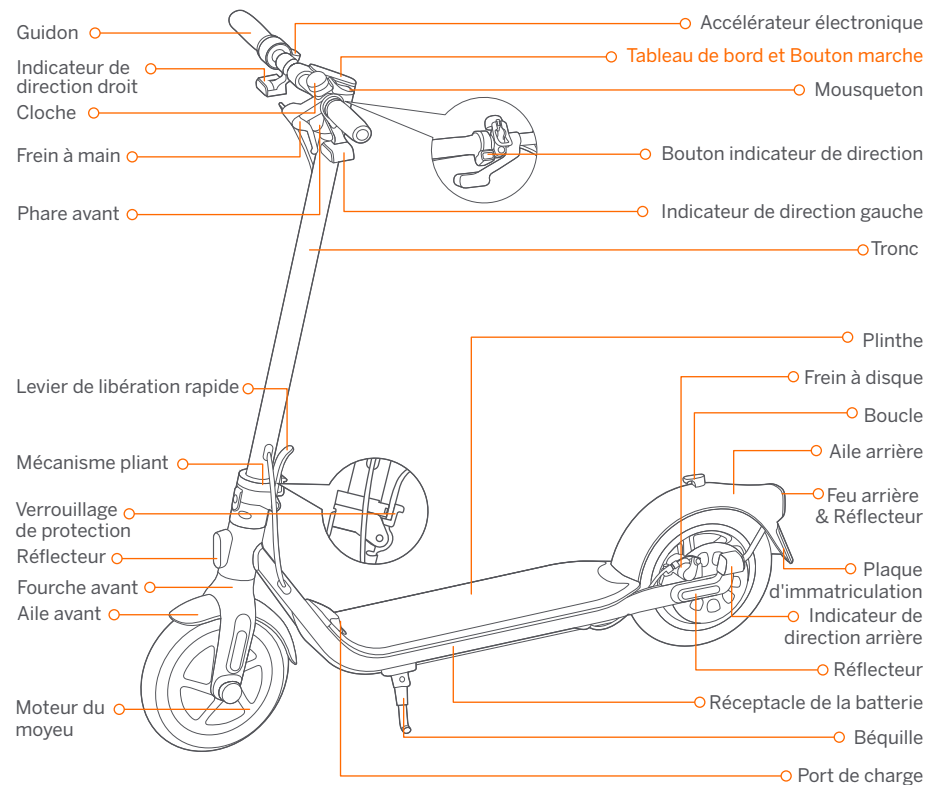
Note: This maintenance schedule charges a service fee.

Item	Component	Maintenance method	Every 3 months	Every 6 months or every 310 miles (500 km)	After 2 years or the total mileage > 3107 miles (5000 km)
Mainframe maintenance	Mainframe parts	Use a soft, wet cloth to wipe the mainframe clean.	√	√	√
	Tire pressure	F25i: Inflate tires to 40–45 psi. F40i: Inflate tires to 50–55 psi. Note: Remember to screw the valve cap after inflating!	√	√	√
	Tire wear	Check if the tires are cracked, deformed, or significantly worn.		√	√
	Screws on the stem top	Tighten the six screws fixed with the handlebar and the stem. The suggested torque is 5.5±0.5 N·m.  Tighten the screw on the throttle. The suggested torque is 3.5±0.1 N·m. Tighten the screws on the brake lever. The suggested torque is 5.5±0.1 N·m. Tighten the screws on the stem top. The suggested torque is 10±0.5 N·m.	√	√	√
					√
				√	√
	Screws on the folding mechanism	Tighten the two screws fixed with the front fork and the folding mechanism. The suggested torque is 10±1 N·m. If the stem gets shaky when riding, tighten the screw on the folding mechanism when the scooter is in folded state. The suggested torque is 12.5±1 N·m.		√	√
	Brake disc assembly	Tighten the screws on the brake disc assembly. The suggested torque is 7.7±0.2 N·m.		√	√

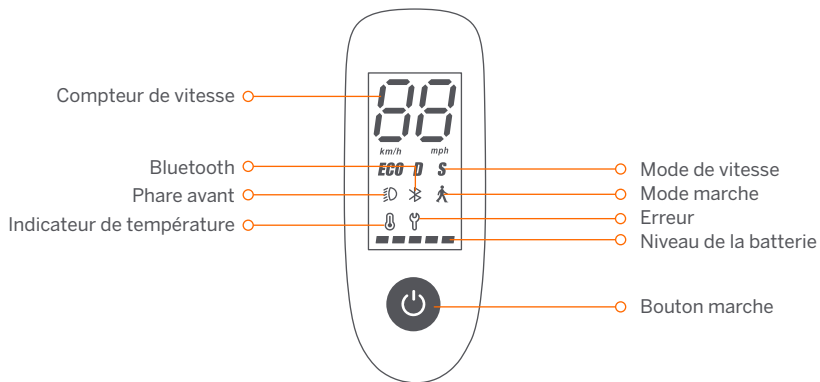
Item	Component	Maintenance method	Every 3 months	Every 6 months or every 310 miles (500 km)	After 2 years or the total mileage > 3107 miles (5000 km)
Function Inspection	Hub motor	To accelerate and decelerate, check if the hub motor is stalled or has abnormal sounds.		√	√
	Rear wheel maintenance	Check if the rear wheel is stalled or gets shaky, or the axis shaft is unbalanced.		√	√
	Brake adjustment	If the brake is too tight/loose, use the 4 mm Allen key to loosen the screw on the caliper. Then slightly adjust the brake line (decrease/increase the exposed length), and tighten the screw again.		√	√
	Brake rotor	Spin the wheels, the caliper should be aligned with the rotor and they shouldn't rub on the brake pads.		√	√
	Taillight	Squeeze the brake lever, the tail light works normally.		√	√
	Headlight	Check the headlight and see if it lights brightly.		√	√
	Direction indicators	Toggle the direction indicator button to the left/right respectively, check if the direction indicators on the left/right side flash normally.		√	√
	Dashboard	Power on the scooter, the dashboard works properly. Switch between the speed modes, the dashboard will display the corresponding speed mode icon.		√	√
	Bell	Ring the bell, the sound is loud.		√	√
	Buzzer	Power on/off the scooter, the buzzer sound is normal.		√	√
	Throttle	Press and hold the throttle then release it, checking for acceleration and deceleration. Note: Release it, check if the throttle will back to the position.		√	√
	Fault detection	After connecting with the Segway-Ninebot app: 1) Update the firmware to the latest version. 2) Check if the notification of the corresponding error code and possible causes will prompt when the scooter detects an error.		√	√

## 1 Diagramme

Item	Component	Maintenance Method	Every 3 months	Every 6 months or every 310 miles (500 km)	After 2 years or the total mileage > 3107 miles (5000 km)
Function Inspection	Charging	Charge the scooter: 1) Check if the current battery power displays on the dashboard. 2) Check the LED indicator on the battery charger. Charging: red, Fully charged: green.		√	√
	Control buttons	Press or toggle the button 3 times without failure.		√	√
	Turning	Test with left turns and right turns (the steering angle is 60). No resistance or lag when turning.		√	√
Important parts	Battery assembly	The battery need to be replaced when it is charged and discharged for 500 times or the total mileage is more than 6213 miles (10000 km). Note: It is recommended to charge once every 60 days for long-term storage.			
	Controller Hub motor				
Functional parts	Rear wheel assembly	It is required that original Segway-Ninebot parts shall be used for repairs and replacements.			√
	Throttle & Brake lever				
	Front fork assembly				
	Folding mechanism				
	Brake rotor				
	Disc brake assembly				
	Dashboard				



## Tableau de bord et Bouton marche



**Bouton marche** : Appuyez brièvement pour allumer. Appuyez sur le bouton pendant 3 secondes pour éteindre la trottinette. Lorsque l'appareil est allumé, cliquez une fois pour allumer / éteindre le phare avant & feu arrière, double-cliquez pour modifier le mode de vitesse.

**Compteur de vitesse** : Indique la vitesse actuelle. Affiche également les codes d'erreur lorsque des problèmes sont détectés.

**Mode marche** : La vitesse maximale est de 5 km/h (3.1 mph).

**F251 / F401** : Le phare avant et le feu arrière clignotent et ne peuvent pas être éteints.

\* Comment activer dans l'application: appuyez sur le menu coulissant > Paramètres > Mode marche.

**Mode de vitesse** : trois modes sont disponibles. La vitesse maximale est la suivante:

Modes	Modèle	F251	F401
ECO (mode économie d'énergie)		15 km/h	15 km/h
D (mode Standard)		20 km/h	20 km/h
S (mode Sport)		25 km/h	25 km/h

**Erreur** : L'icône de la clé indique que la trottinette a détecté une erreur.

**Indicateur de température** : L'icône du thermomètre toujours allumée indique que la température de la batterie a atteint 55°C (131°F) ou est inférieure à 0°C (32°F).

\* À ce stade, le véhicule ne peut pas accélérer normalement et ne peut pas être chargé. Ne l'utilisez pas tant que la température n'est pas revenue à la normale.

**Bluetooth** : L'icône indique que la trottinette a été connectée avec succès à l'appareil mobile.

**Niveau de la batterie** : Le niveau total de la batterie équivaut à 5 barres.

\* La puissance de la batterie est très faible lorsque la première barre de batterie est rouge. Veuillez recharger votre trottinette immédiatement.

## 2 Spécifications

	Article	Paramètre
Produit	Nom	Ninebot KickScooter
	Modèle	F251
	Longueur × Largeur × Hauteur	Env. 1143 × 480 × 1160 mm (45 × 18.9 × 45.7 po)
	Replié : Longueur × Largeur × Hauteur	Env. 1143 × 480 × 495 mm (45 × 18.9 × 19.5 po)
	Poids net	Env. 15.3 kg (33.7 lbs)
Utilisateur	Charge utile	40–120 kg (88–265 lbs)
	Âge recommandé	14–60 ans
	Taille requise	120–200 cm (3'11"–6'6")
Paramètres de l'appareil	Vitesse maximale	Env. 25 km/h (15.5 mph)
	Autonomie typique <sup>[1]</sup>	Env. 25 km (15.5 miles)
	Inclinaison max.	Env. 10 %
	Terrain praticable	Pistes cyclables, parcs, campus et la plupart des routes plates et des routes belges typiques.
	Température d'opération	-10–40°C (14–104°F)
	Température d'entreposage	-10–50°C (14–122°F)
	Indice IP	IPX5
	Durée de chargement	Env. 5 h
Batterie	Tension nominale	36 V $\equiv$
	Max. Tension de charge	42 V $\equiv$
	Température de charge	0–40°C (32–104°F)
	Capacité nominale	7650 mAh
	Énergie nominale	275 Wh
	Système de gestion de la batterie	Surchauffe, court-circuit, décharge excessive, surintensité et protection de surintensité
Moteur	Puissance nominale	0.3 kW, 300 W
Chargeur	Puissance de sortie	0.07 kW, 70 W
	Tension d'entrée	100–240 V-
	Tension de sortie max.	42 V $\equiv$
	Sortie nominale	41 V $\equiv$ , 1.7 A
Fonctionnalités	Feu de freinage	Feu arrière à LED
	Mode de vitesse	mode économie d'énergie, mode Standard et mode Sport
Pneu	Pression des pneus	40–45 psi
	Les pneus	Pneu pneumatique de 10 pouces

[1] Autonomie typique : testé en roulant avec une batterie pleine, charge de 75 kg (165 lbs), 25 °C (77 °F), à la vitesse moyenne de 16 km/h (9.9 mph) en moyenne sur la chaussée.

\* Certains facteurs peuvent affecter l'autonomie comme: la vitesse, le nombre de démarrages et d'arrêts, la température ambiante, etc.



	Article	Paramètre
Produit	Nom	Ninebot KickScooter
	Modèle	F40I
	Longueur x Largeur x Hauteur	Env. 1143 x 480 x 1160 mm (45 x 18.9 x 45.7 po)
	Replié : Longueur x Largeur x Hauteur	Env. 1143 x 480 x 495 mm (45 x 18.9 x 19.5 po)
	Poids net	Env. 17.1 kg (37.7 lbs)
Utilisateur	Charge utile	40–120 kg (88–265 lbs)
	Âge recommandé	14–60 ans
	Taille requise	120–200 cm (3'11"–6'6")
Paramètre s de l'appareil	Vitesse maximale	Env. 25 km/h (15.5 mph)
	Autonomie typique [1]	Env. 40 km (24.9 miles)
	Inclinaison max.	Env. 20%
	Terrain praticable	Pistes cyclables, parcs, campus et la plupart des routes plates et des routes belges typiques.
	Température d'opération	-10–40°C (14–104°F)
	Température d'entreposage	-10–50°C (14–122°F)
	Indice IP	IPX5
	Durée de chargement	Env. 6.5 h
Batterie	Tension nominale	36 V $\equiv$
	Max. Tension de charge	42 V $\equiv$
	Température de charge	0–40°C (32–104°F)
	Capacité nominale	10.2 Ah
	Énergie nominale	367 Wh
	Système de gestion de la batterie	Surchauffe, court-circuit, décharge excessive, surintensité et protection de surintensité
Moteur	Puissance nominale	0.35 kW, 350 W
Chargeur	Puissance de sortie	0.07 kW, 70 W
	Tension d'entrée	100–240 V-
	Tension de sortie max.	42 V $\equiv$
	Sortie nominale	41 V $\equiv$ , 1.7 A
Fonctionnalités	Feu de freinage	Feu arrière à LED
	Mode de vitesse	mode économie d'énergie, mode Standard et mode Sport
Pneu	Pression des pneus	50–55 psi
	Les pneus	Pneu tubeless de 10 pouces

[1] Autonomie typique : testé en roulant avec une batterie pleine, charge de 75 kg (165 lbs), 25 °C (77 °F), à la vitesse moyenne de 16 km/h (9.9 mph) en moyenne sur la chaussée.

\* Certains facteurs peuvent affecter l'autonomie comme: la vitesse, le nombre de démarrages et d'arrêts, la température ambiante, etc.

### 3 Certifications

#### Déclaration de conformité Union européenne

#### Informations importantes sur les DEEE



Ce symbole sur le produit ou sur son emballage indique que les produits électriques et électroniques usagés ne doivent pas être mélangés avec les déchets municipaux non triés. Pour un traitement approprié, il est de votre responsabilité d'éliminer vos déchets d'équipements en faisant en sorte de les rapporter aux points de collecte désignés. L'élimination correcte de ce produit permet d'économiser des ressources précieuses et d'éviter tout effet négatif potentiel sur la santé humaine et l'environnement, qui pourrait autrement résulter d'une manipulation inappropriée des déchets. Des sanctions peuvent être applicables en cas d'élimination incorrecte de ces déchets, conformément à votre législation nationale.

Veillez contacter votre autorité locale pour plus de détails sur le point de collecte désigné le plus proche.

#### Informations sur le recyclage de la batterie pour les utilisateurs



Ce symbole signifie que les piles et accumulateurs, à leur fin de vie, ne doivent pas être mélangés avec les déchets municipaux non triés. Votre participation est une partie importante de l'effort visant à minimiser l'impact des piles et accumulateurs sur l'environnement et sur la santé humaine. Pour un recyclage approprié, vous pouvez retourner ce produit ou les piles ou accumulateurs qu'il contient à votre fournisseur ou à un point de collecte désigné. L'élimination correcte de ce produit permet d'économiser des ressources précieuses et d'éviter tout effet négatif potentiel sur la santé humaine et l'environnement, qui pourrait autrement résulter d'une manipulation inappropriée des déchets. Des sanctions peuvent être applicables en cas d'élimination incorrecte de ces déchets, conformément à votre législation nationale.

il existe des systèmes de collecte séparés pour les piles et accumulateurs usagés.

Veillez jeter les piles et les accumulateurs correctement à la collecte/recyclage des déchets de votre communauté locale centre.

#### Directive sur les équipements radio

Ninebot (Changzhou) Tech Co., Ltd. déclare par la présente que le produit répertorié dans cette section est conforme aux exigences essentielles et aux autres dispositions pertinentes de la directive sur les équipements radio

2014/53/UE.

#### Directive sur la limitation de l'utilisation de certaines substances dangereuses (RoHS)

Ninebot (Changzhou) Tech Co., Ltd. déclare par la présente que l'ensemble du produit, y compris les pièces (câbles, cordons, etc.) est conforme aux exigences de la directive RoHS 2011/65/UE et de la modification de la directive déléguée (UE) 2015/863 sur la restriction de l'utilisation de certaines substances dangereuses dans les équipements électriques et électroniques ("RoHS recast" ou "RoHS 2.0").

#### Directive Machines

Ninebot (Changzhou) Tech Co., Ltd. déclare par la présente que le produit répertorié dans cette section est conforme aux exigences essentielles et aux autres dispositions pertinentes de la directive Machines 2006/42/CE.



Représentant autorisé:

Segway-Ninebot Europe, Dynamostraat 7, 1014 BN  
Amsterdam, The Netherlands

Ninebot (Changzhou) Tech Co., Ltd. déclare par la présente que le modèle de produit : F25I, F40I est conforme aux exigences essentielles et aux autres dispositions pertinentes de la directive sur les équipements radio 2014/53/UE et de la directive Machines 2006/42/CE et de la directive RoHS 2011/65/UE et modification de la directive déléguée (UE) 2015/863 de la Commission.

La déclaration de conformité peut être consultée à l'adresse suivante : <http://eu-en.segway.com/support-instructions>

Bluetooth	Bandes de fréquence (s)	2.4000-2.4835 GHz
	Max. Puissance RF	20 mW

## 4 Marque déposée

Ninebot est une marque déposée de Ninebot (Beijing) Tech. Co., Ltd; Powered by Segway, Segway et Rider Design sont les marques déposées de Segway Inc.; Bluetooth est la marque déposée de BLUETOOTH SIG, INC.; Android et Google Play sont des marques commerciales de Google Inc.; App Store est une marque de service de Apple Inc. Les propriétaires respectifs se réservent les droits de leurs marques commerciales mentionnées dans ce manuel.

Le KickScooter est couvert par les brevets s'y afférent. Pour obtenir des informations sur les brevets, visitez <http://www.segway.com>.

Nous avons tenté d'inclure des descriptions et des instructions pour toutes les fonctions du KickScooter au moment de l'impression. Cependant, en raison de l'amélioration constante des fonctionnalités de l'appareil et des modifications de conception, votre KickScooter peut différer légèrement de celui présenté dans ce document. Visitez l'App Store d'Apple (IOS) ou le Google Play Store (Android) pour télécharger et installer l'appli.

Veillez noter qu'il existe de multiples modèles Segway et Ninebot possédant des fonctionnalités différentes, et certaines des fonctionnalités mentionnées ici peuvent ne pas s'appliquer à votre unité. Le fabricant se réserve le droit de modifier l'apparence et la fonctionnalité du produit et de la documentation KickScooter sans préavis.

© 2022 Ninebot (Beijing) Tech Co. Ltd. Tous droits réservés.

(※L'application est adaptée au KickScooter qui supporte le "Bluetooth")

## 5 Calendrier d'entretien recommandé

Pour assurer une conduite en toute sécurité, un soin quotidien et un entretien régulier sont essentiels. En tant que propriétaire, vous avez le contrôle et la connaissance de la fréquence à laquelle vous utilisez votre scooter, de l'intensité avec laquelle vous l'utilisez et de l'endroit où vous l'utilisez. Il est de la responsabilité du propriétaire d'effectuer des contrôles réguliers et d'apporter votre scooter à un centre de service agréé pour inspection et entretien. Veuillez vous référer au calendrier d'entretien ci-dessous.

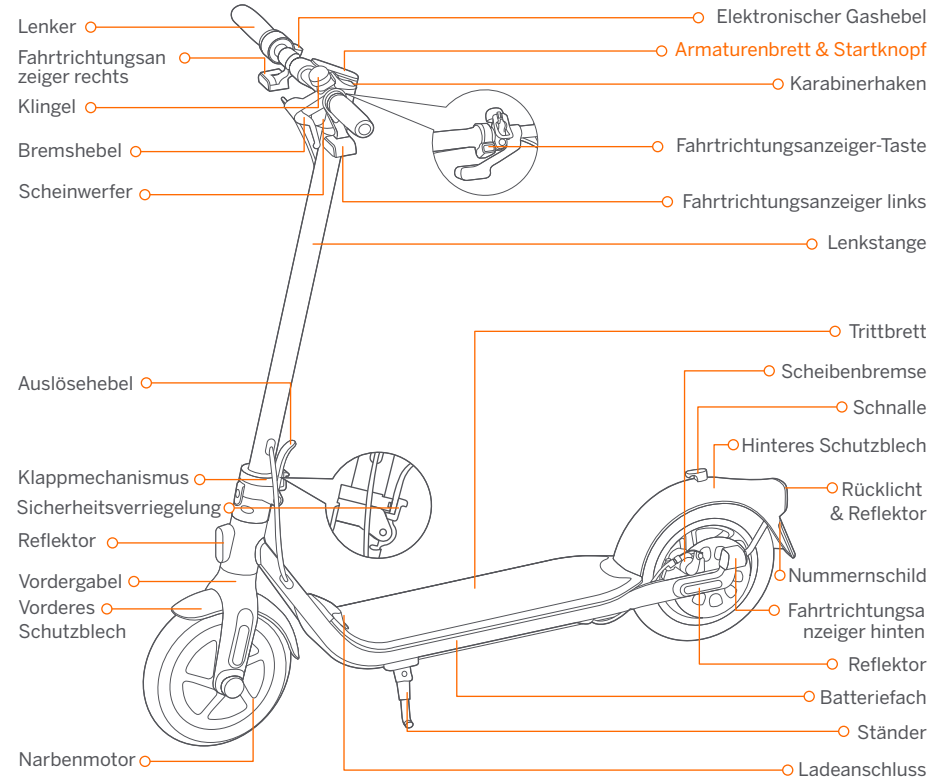
Remarque : ce programme de maintenance facture des frais de service.

Élément	Composant	Méthode d'entretien	Tous les 3 mois	Tous les 6 mois ou tous les 500 km (310 miles)	Après 2 ans ou un kilométrage total > 5000 km (3107 miles)
Maintenance du cadre	Pièces du cadre	Utilisez un chiffon doux et humide pour essuyer le châssis principal pour le nettoyer.	✓	✓	✓
	Pression des pneus	F25I: Gonflez les pneus à 40-45 psi. F40I: Gonflez les pneus à 50-55 psi. Remarque : n'oubliez pas de revisser le bouchon de valve après le gonflage !	✓	✓	✓
	Usure des pneus	Vérifiez si les pneus sont fissurés, déformés ou très usés.		✓	✓
	Vis sur le dessus de la tige	Serrez les six vis fixées au guidon et à la tige. Le couple suggéré est de 5,5±0,5 N·m.	✓	✓	✓
		Serrez la vis sur l'accélérateur électronique. Le couple suggéré est de 3,5±0,1 N·m. Serrez les vis sur les leviers de frein. Le couple suggéré est de 5,5±0,1 N·m. Serrez les vis sur le dessus de la tige. Le couple suggéré est de 10±0,5 N·m.		✓	✓
	Vis sur le mécanisme de pliage	Serrez les deux vis fixées avec la fourche avant et le mécanisme de pliage. Le couple suggéré est de 10±1 N·m. Si la tige tremble lorsque vous roulez, resserrez les vis du mécanisme de pliage lorsque le scooter est plié. Le couple suggéré est de 12,5 N·m.		✓	✓
	Ensemble disque de frein	Serrez les vis sur l'ensemble disque de frein. Le couple suggéré est de 7,7±0,2 Nm.		✓	✓
Contrôle des fonctions	Moyeu moteur	Pour accélérer et décélérer, vérifiez si le moyeu moteur est bloqué ou émet des sons anormaux.		✓	✓

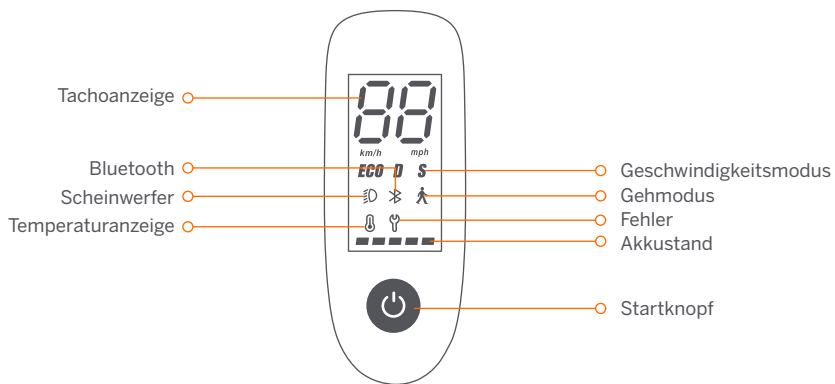
Élément	Composant	Méthode d'entretien	Tous les 3 mois	Tous les 6 mois ou tous les 500 km (310 miles)	Après 2 ans ou un kilométrage total > 5000 km (3107 miles)
Contrôle des fonctions	Entretien de la roue arrière	Vérifiez si la roue arrière est bloquée ou tremble, ou si l'arbre de l'axe est déséquilibré.		✓	✓
	Réglage du frein à disque	Si le frein est trop serré/lâche, utilisez la clé Allen de 4 mm pour desserrer la vis de l'étrier. Ajustez ensuite légèrement la ligne de frein (diminuez / augmentez la durée d'exposition), puis serrez les vis.		✓	✓
	Rotor de frein	Faites tourner les roues, l'étrier doit être aligné avec le rotor et elles ne doivent pas frotter sur les plaquettes de frein.		✓	✓
	Feu arrière	Serrez les leviers de frein, le feu arrière fonctionne normalement.		✓	✓
	Feu de route	Vérifiez le feu de route et voyez s'il s'allume bien.		✓	✓
	Indicateurs de direction	Basculez le bouton des indicateurs de direction vers la gauche/droite respectivement, vérifiez si les indicateurs de direction du côté gauche/droit clignotent normalement.		✓	✓
	Avertisseur sonore	Allumez/éteignez le scooter, le son du buzzer est normal.		✓	✓
	Tableau de bord	Allumez le scooter, le tableau de bord fonctionne correctement. Basculez entre les modes de vitesse, le tableau de bord affichera l'icône du mode de vitesse correspondant.		✓	✓
	Cloche	Utilisez la sonnette, le son est fort.		✓	✓
	Accélérateur électronique	Appuyez sur l'accélérateur électronique et maintenez-le enfoncé, puis relâchez-le, en vérifiant l'accélération et la décélération. Remarque : relâchez-le, vérifiez si l'accélérateur électronique revient à la position.		✓	✓
	Détection de panne	Après connexion avec l'application Segway-Ninebot : 1) Mettez à jour le firmware vers la dernière version. 2) Vérifiez si la notification du code d'erreur correspondant et des causes possibles s'affiche lorsque le scooter détecte une erreur.		✓	✓

## 1 Diagramm

Élément	Composant	Méthode d'entretien	Tous les 3 mois	Tous les 6 mois ou tous les 500 km (310 miles)	Après 2 ans ou un kilométrage total > 5000 km (3107 miles)
Contrôle des fonctions	Chargement	Chargez le scooter : 1) Vérifiez si la puissance actuelle de la batterie s'affiche sur le tableau de bord. 2) Vérifiez l'indicateur LED sur le chargeur de batterie. Charge : rouge, complètement chargé : vert.		✓	✓
	Boutons de contrôle	Appuyez ou basculez le bouton 3 fois sans échec.		✓	✓
	Tourner	Testez avec des virages à gauche et des virages à droite (l'angle de braquage est de 60). Pas de résistance ni de décalage lors des virages.		✓	✓
Pièces importantes	Ensemble de batterie	La batterie doit être remplacée lorsqu'elle est chargée et déchargée 500 fois ou que le kilométrage total est supérieur à 10 000 km (6 213 miles). Remarque : Il est recommandé de charger une fois tous les 60 jours pour un stockage à long terme.			✓
	Manette				
Pièces fonctionnelles	Moyeu moteur	Il est nécessaire que des pièces d'origine Segway-Ninebot soient utilisées pour les réparations et les remplacements.			
	Ensemble roue arrière				
	Leviers d'accélérateur et de frein				
	Ensemble de fourche avant				
	Mécanisme de pliage				
	Rotor de frein				
	Ensemble de frein à disque				
Tableau de bord					



## Armaturenbrett & Startknopf



**Startknopf:** Zum Einschalten den Startknopf kurz drücken. Die Taste 3 Sekunden lang gedrückt halten, um den Roller auszuschalten. Wenn der KickScooter eingeschaltet ist, drücken Sie die Starttaste, um den Scheinwerfer und das Rücklicht zum ein-/auszuschalten und drücken Sie doppelt, um zwischen den Geschwindigkeitsmodi zu wechseln.

**Tacho:** Zeigt die aktuelle Geschwindigkeit an. Hier werden auch Fehlercodes bei Erkennen von Fehlern angezeigt.

**Gehmodus:** Max. Geschwindigkeit 5 km/h (3,1 mph).

**F25I / F40I:** Der Scheinwerfer und das Rücklicht blinken und können nicht ausgeschaltet werden.

\* So aktivieren Sie in der App: Tippen Sie auf das Folienmenü > **Einstellungen** > **Gehmodus**.

**Geschwindigkeitsmodus:** Es sind drei verschiedene Modi verfügbar. Die Höchstgeschwindigkeit ist wie folgt:

Modus	Modell	F25I	F40I
ECO (Energiesparmodus)		15 km/h	15 km/h
D (Standardmodus)		20 km/h	20 km/h
S (Sportmodus)		25 km/h	25 km/h

**Fehler:** Das Schraubenschlüssel-Symbol zeigt an, dass der Roller einen Fehler erkannt hat.

**Temperaturanzeige:** Das ständig eingeschaltete Thermometersymbol zeigt an, dass die Batterietemperatur 55°C (131°F) oder 0°C (32°F) erreicht hat.

\* Zu diesem Zeitpunkt kann das Fahrzeug nicht normal beschleunigen und darf nicht geladen werden. Verwenden Sie es erst, wenn die Temperatur wieder auf den Normalbereich gesenkt ist.

**Bluetooth:** Das Symbol zeigt an, dass der Roller erfolgreich an das mobile Gerät gekoppelt wurde.

**Akkustand:** Die Batteriegesamtladung wird mit 5 Balken angezeigt.

\* Der Akkustand ist sehr gering, wenn der erste Batterie Balken rot leuchtet. Bitte laden Sie Ihren KickScooter sofort auf.

## 2 Technische Daten

	Artikel	Parameter
Produkt	Name	Ninebot KickScooter
	Modell	F25I
	Länge × Breite × Höhe	Ca. 1143 × 480 × 1160 mm (45 × 18.9 × 45.7 inch)
	Zusammengeklappt: Länge × Breite × Höhe	Ca. 1143 × 480 × 495 mm (45 × 18.9 × 19.5 inch)
Fahrer	Nettogewicht	Ca. 15.3 kg (33.7 lbs)
	Nutzlast	40–100 kg (88–220 lbs)
	Altersempfehlung	14–60 Jahre
Maschinenparameter	Erforderliche Höhe	120–200 cm (3'11"–6'6")
	Höchstgeschwindigkeit	Ca. 25 km/h (15.5 mph)
	Normale Reichweite <sup>[1]</sup>	Ca. 25 km (15.5 miles)
	Höchststeigung	Ca. 10%
	Befahrbares Gelände	Fahrradwege, Parks, Campus und die meisten ebenen Straßenverhältnisse und typisch belgische Straßen
	Betriebstemperatur	-10–40°C (14–104°F)
	Lagertemperatur	-10–50°C (14–122°F)
	IP-Klassifizierung	IPX5
	Ladedauer	Ca. 5 h
	Batterie	Nennspannung
Max. Ladespannung		42 V $\equiv$
Ladetemperatur		0–40°C (32–104°F)
Nennleistung		7650 mAh
Nominale Energie		275 Wh
Batteriemanagementsystem	Überheizungs-, Kurzschluss-, Überentladung-, Überstrom- und Überladeschutz	
Motor	Nennleistung	0.3 kW, 300 W
Ladegerät	Nennausgangsleistung	0.07 kW, 70 W
	Eingangsspannung	100–240 V-
	Max. Ausgangsspannung	42 V $\equiv$
	Ausgang nominal	41 V $\equiv$ , 1.7 A
Ausstattung	Bremsleuchte	LED-Rückleuchte
	Geschwindigkeitsmodus	Energiesparmodus, Standardmodus und Sportmodus
Reifen	Reifendruck	40–45 psi
	Reifen	10-Zoll-Luftreifen

[1] Normale Reichweite: Getestet beim Fahren mit vollem Akku, 75 kg (165 lbs) Last, 25 °C (77 °F) und einer Durchschnittsgeschwindigkeit von 16 km/h (9.9 mph) auf Bürgersteigen.

\* Einige der Faktoren, die die Reichweite beeinflussen sind: Geschwindigkeit, Anzahl der Starts und Stopps, Temperatur, usw.

	Artikel	Parameter
Produkt	Name	Ninebot KickScooter
	Modell	F40I
	Länge x Breite x Höhe	Ca. 1143 x 480 x 1160 mm (45 x 18.9 x 45.7 inch)
	Zusammengeklappt: Länge x Breite x Höhe	Ca. 1143 x 480 x 495 mm (45 x 18.9 x 19.5 inch)
	Nettogewicht	Ca. 17.1 kg (37.7 lbs)
Fahrer	Nutzlast	40–120 kg (88–265 lbs)
	Altersempfehlung	14–60 Jahre
	Erforderliche Höhe	120–200 cm (3'11"–6'6")
Maschinenparameter	Höchst geschwindigkeit	Ca. 25 km/h (15.5 mph)
	Normale Reichweite <sup>[1]</sup>	Ca. 40 km (24.9 miles)
	Höchst steigung	Ca. 20%
	Befahrbares Gelände	Fahrradwege, Parks, Campus und die meisten ebenen Straßenverhältnisse und typisch belgische Straßen
	Betriebstemperatur	-10–40°C (14–104°F)
	Lagertemperatur	-10–50°C (14–122°F)
	IP-Klassifizierung	IPX5
	Ladedauer	Ca. 6.5 h
Batterie	Nennspannung	36 V $\equiv$
	Max. Ladespannung	42 V $\equiv$
	Ladetemperatur	0–40°C (32–104°F)
	Nennleistung	10.2 Ah
	Nominale Energie	367 Wh
	Batteriemanagementsystem	Überhitzungs-, Kurzschluss-, Überentladung-, Überstrom- und Überladeschutz
Motor	Nennleistung	0.35 kW, 350 W
Ladegerät	Nennausgangsleistung	0.07 kW, 70 W
	Eingangsspannung	100–240 V-
	Max. Ausgangsspannung	42 V $\equiv$
	Ausgang nominal	41 V $\equiv$ , 1.7 A
Ausstattung	Bremsleuchte	LED-Rückleuchte
	Geschwindigkeitsmodus	Energiesparmodus, Standardmodus und Sportmodus
Reifen	Reifendruck	50–55 psi
	Reifen	10 Zoll schlauchloser Reifen

[1] Normale Reichweite: Getestet beim Fahren mit vollem Akku, 75 kg (165 lbs) Last, 25 °C (77 °F) und einer Durchschnittsgeschwindigkeit von 16 km/h (9.9 mph) auf Bürgersteigen.

\* Einige der Faktoren, die die Reichweite beeinflussen sind: Geschwindigkeit, Anzahl der Starts und Stopps, Temperatur, usw.

### 3 Zertifizierungen

#### Übereinstimmungserklärung der Europäischen Union

##### Wichtige WEEE-Informationen



Dieses Symbol auf dem Produkt oder seiner Verpackung weist darauf hin, dass gebrauchte Elektro- und Elektronikprodukte nicht mit unsortiertem Siedlungsabfall gemischt werden sollten. Für eine ordnungsgemäße Behandlung sind Sie dafür verantwortlich, Ihre Altgeräte zu entsorgen, indem Sie dafür sorgen, dass sie an ausgewiesenen Sammelstellen abgegeben werden.

Die ordnungsgemäße Entsorgung dieses Produkts trägt dazu bei, wertvolle Ressourcen zu sparen und mögliche negative Auswirkungen auf die menschliche Gesundheit und die Umwelt zu vermeiden, die andernfalls durch unsachgemäße Abfallbehandlung entstehen könnten.

Für die unsachgemäße Entsorgung dieses Abfalls können gemäß Ihrer nationalen Gesetzgebung Strafen verhängt werden.

Bitte wenden Sie sich an Ihre örtliche Behörde, um weitere Informationen zur nächstgelegenen ausgewiesenen Sammelstelle zu erhalten.

##### Informationen zum Batterierecycling für Benutzer



Dieses Symbol bedeutet, dass Batterien und Akkumulatoren am Ende ihrer Lebensdauer nicht mit unsortiertem Siedlungsabfall vermischt werden sollten. Ihre Teilnahme ist ein wichtiger Teil der Bemühungen, die Auswirkungen von Batterien und Akkumulatoren auf die Umwelt und die menschliche Gesundheit zu minimieren. Zum ordnungsgemäßen Recycling können Sie dieses Produkt oder die darin enthaltenen Batterien oder Akkus bei Ihrem Lieferanten oder einer dafür vorgesehenen Sammelstelle abgeben.

Die ordnungsgemäße Entsorgung dieses Produkts trägt dazu bei, wertvolle Ressourcen zu sparen und mögliche negative Auswirkungen auf die menschliche Gesundheit und die Umwelt zu vermeiden, die andernfalls durch unsachgemäße Abfallbehandlung entstehen könnten.

Für die unsachgemäße Entsorgung dieses Abfalls können gemäß Ihrer nationalen Gesetzgebung Strafen verhängt werden.

Für gebrauchte Batterien und Akkus gibt es getrennte Sammelsysteme.

Bitte entsorgen Sie Batterien und Akkus fachgerecht bei Ihrer kommunalen Sammelstelle/Recycling Center.

#### Richtlinie über Funkanlagen

Ninebot (Changzhou) Tech Co., Ltd. erklärt hiermit, dass das in diesem Abschnitt aufgeführte Produkt den grundlegenden Anforderungen und anderen relevanten Bestimmungen der Richtlinie 2014/53/EU über Funkanlagen entspricht.

#### Beschränkung der Verwendung bestimmter gefährlicher Stoffe (RoHS)-Richtlinie

Ninebot (Changzhou) Tech Co., Ltd. erklärt hiermit, dass das gesamte Produkt einschließlich Teilen (Kabel, Schnüre usw.) die Anforderungen der RoHS-Richtlinie 2011/65/EU und der Änderung der Delegierten Richtlinie (EU) 2015/863 der Kommission über die erfüllt Beschränkung der Verwendung bestimmter gefährlicher Stoffe in Elektro- und Elektronikgeräten („RoHS recast“ oder „RoHS 2.0“).

#### Maschinenrichtlinie

Ninebot (Changzhou) Tech Co., Ltd. erklärt hiermit, dass das in diesem Abschnitt aufgeführte Produkt den grundlegenden Anforderungen und anderen relevanten Bestimmungen der Maschinenrichtlinie 2006/42/EG entspricht.



Autorisierter Vertreter:

Segway-Ninebot Europe, Dynamostraat 7, 1014 BN  
Amsterdam, The Netherlands

Ninebot (Changzhou) Tech Co., Ltd. erklärt hiermit, dass das Produktmodell: F25I, F40I den grundlegenden Anforderungen und anderen relevanten Bestimmungen der Richtlinie 2014/53/EU über Funkanlagen entspricht und der Maschinenrichtlinie 2006/42/EG entspricht und der RoHS-Richtlinie 2011/65/EU entspricht und Änderung Delegierte Richtlinie (EU) 2015/863 der Kommission.

Die Konformitätserklärung kann unter folgender Adresse eingesehen werden: <http://eu-en.segway.com/support-instructions>

Bluetooth	Frequenzband (-bänder)	2.4000-2.4835 GHz
	Max. Hochfrequenzleistung	20 mW

## 4 Warenzeichen

Ninebot ist eine eingetragene Marke von Ninebot (Beijing) Tech. Co., Ltd; Powered by Segway, Segway und das Rider Design sind eingetragene Warenzeichen von Segway Inc.; Bluetooth ist das eingetragene Warenzeichen von BLUETOOTH SIG, INC.; Android und Google Play sind Marken von Google Inc.; App Store ist eine Dienstleistungsmarke von Apple Inc.; die jeweiligen Eigentümer behalten sich die Rechte an ihren in diesem Handbuch genannten Marken vor.

Der KickScooter unterliegt dem Schutz entsprechender Patente. Patentinformationen finden Sie unter <http://www.segway.com>.

Wir haben versucht, Beschreibungen und Anweisungen für alle Funktionen des KickScooter zum Zeitpunkt des Drucks aufzunehmen. Aufgrund der ständigen Verbesserung der Produkteigenschaften und Designänderungen kann Ihr KickScooter jedoch leicht von dem in diesem Dokument beschriebenen abweichen. Besuchen Sie den Apple App Store (iOS) oder den Google Play Store (Android), um die App herunterzuladen und zu installieren.

Bitte beachten Sie, dass es zahlreiche Segway und Ninebot Modelle mit unterschiedlichen Funktionen gibt und dass einige der hier genannten Funktionen für Ihr Modell nicht zutreffend sind. Der Hersteller behält sich das Recht vor, Design und Funktionalität des KickScooter-Produktes sowie die Dokumentation ohne vorherige Mitteilung zu ändern.

© 2022 Ninebot (Beijing) Tech Co. Ltd. Alle Rechte vorbehalten.

(※Die App ist geeignet für den KickScooter, die „Bluetooth“ unterstützt)

## 5 Empfohlener Wartungsplan

Um ein sicheres Fahren zu gewährleisten, sind tägliche Pflege und regelmäßige Wartung unerlässlich. Sie, der Besitzer, haben die Kontrolle und das Wissen darüber, wie oft Sie Ihren Roller benutzen, wie intensiv Sie ihn benutzen und wo Sie ihn benutzen. Er gehört dem Besitzer. Es liegt in Ihrer Verantwortung, regelmäßige Überprüfungen durchzuführen und Ihren Scooter zur Inspektion und Wartung zu einem autorisierten Servicecenter zu bringen. Für Ihre Sicherheit und ein besseres Fahrerlebnis führen Sie bitte eine regelmäßige Wartung des KickScooters durch. Bitte beachten Sie den Wartungsplan unten.

Hinweis: Für diesen Wartungsplan wird eine Servicegebühr erhoben.

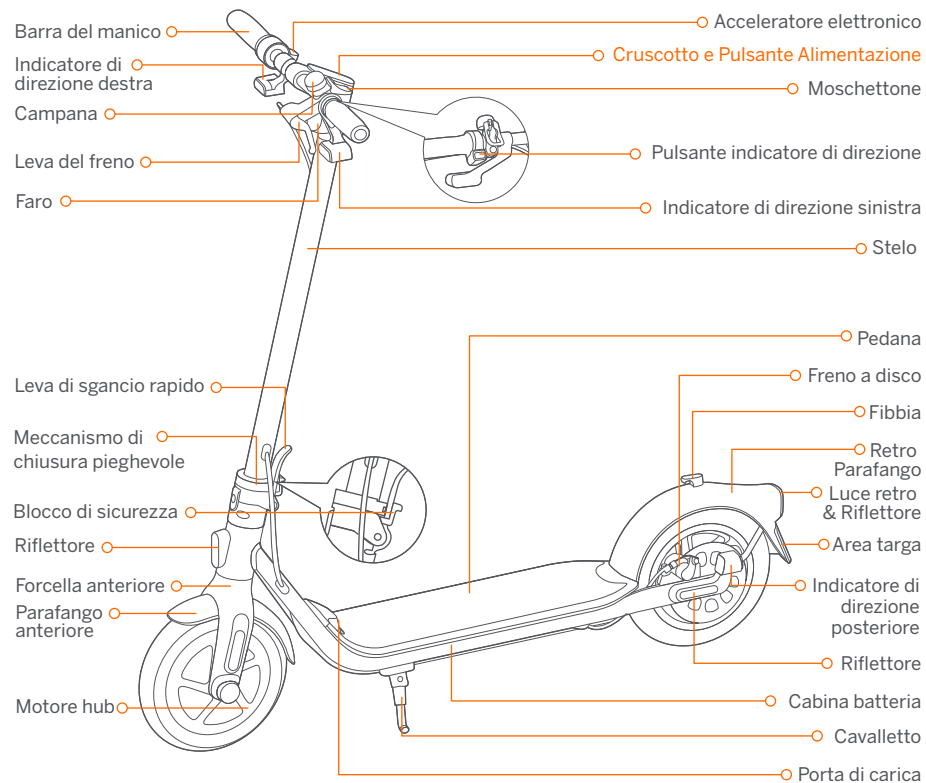
Artikel	Komponente	Wartungsmethode	Alle 3 Monate	Alle 6 Monate oder alle 500 km (310 Meilen)	Nach 2 Jahren oder Gesamtlauflistung > 3107 Meilen (5000 km)
Mainframe Wartung	Mainframe-Teile	Wischen Sie den Mainframe mit einem weichen, feuchten Tuch sauber.	✓	✓	✓
	Reifendruck	F25I: Reifen auf 40-45 psi aufpumpen. F40I: Reifen auf 50-55 psi aufpumpen. Hinweis: Denken Sie daran, die Ventilkappe nach dem Aufblasen zuzuschrauben!	✓	✓	✓
	Reifenverschleiß	Überprüfen Sie, ob die Reifen gerissen, verformt oder stark abgenutzt sind.		✓	✓
	Schrauben auf der Schaftspitze	Ziehen Sie die sechs Schrauben fest, die mit dem Lenker und dem Vorbau verbunden sind. Das empfohlene Drehmoment beträgt 5,5±0,5 N-m.	✓	✓	✓
		Ziehen Sie die Schraube an der Drosselklappe fest. Das empfohlene Drehmoment beträgt 3,5±0,1 N-m.			
		Ziehen Sie die Schrauben an den Bremshebeln fest. Das empfohlene Drehmoment beträgt 5,5±0,1 N-m. Ziehen Sie die Schrauben am Vorbauoberteil fest. Das empfohlene Drehmoment beträgt 10±0,5 N-m.		✓	✓
	Schrauben am Klappmechanismus	Ziehen Sie die beiden Schrauben fest, die mit der Vorderradgabel und dem Klappmechanismus befestigt sind. Das empfohlene Drehmoment beträgt 10 N-m. Wenn der Vorbau während der Fahrt wackelt, ziehen Sie die Schrauben am Klappmechanismus im zusammengeklappten Zustand des Scooters fest. Das empfohlene Drehmoment beträgt 12,5 N-m.		✓	✓
		Bremsscheiben-Baugruppe	Ziehen Sie die Schrauben an der Bremsscheiben-Baugruppe fest. Das empfohlene Drehmoment beträgt 7,7±0,2 Nm.		✓

Artikel	Komponente	Wartungsmethode	Alle 3 Monate	Alle 6 Monate oder alle 500 km (310 Meilen)	Nach 2 Jahren oder Gesamtlauflistung > 3107 Meilen (5000 km)
Funktion sprüfung	Nabenmotor	Überprüfen Sie zum Beschleunigen und Abbremsen, ob der Nabenmotor abgewürgt ist oder ungewöhnliche Geräusche macht.		✓	✓
	Hinterrad Wartung	Überprüfen Sie, ob das Hinterrad blockiert oder wackelt oder ob die Achswelle unwuchtig ist.		✓	✓
	Bremseinstellung	Wenn die Bremse zu fest / locker ist, lösen Sie die Schraube am Bremsattel mit dem 4-mm-Inbusschlüssel. Stellen Sie dann die Bremsleitung leicht ein (verringern / erhöhen Sie die freiliegende Länge) und ziehen Sie die Schraube wieder an.		✓	✓
	Bremsrotor	Drehen Sie die Räder, der Bremsattel sollte mit dem Rotor ausgerichtet sein und sie sollten nicht an den Bremsbelägen reiben.		✓	✓
	Rücklicht	Drücken Sie die Bremshebel, die Rücklichter funktionieren normal.		✓	✓
	Scheinwerfer	Überprüfen Sie den Scheinwerfer und sehen Sie, ob er hell leuchtet.		✓	✓
	Fahrtrichtungsanzeiger	Drücken Sie die Fahrtrichtungsanzeiger-Taste jeweils nach links/rechts. Prüfen Sie, ob die Fahrtrichtungsanzeiger auf der linken/rechten Seite normal blinken.		✓	✓
	Buzzer	Schalten Sie den Scooter ein/aus, der Buzzer-Ton ist normal.		✓	✓
	Armaturenbrett	Schalten Sie den Roller ein, das Armaturenbrett funktioniert ordnungsgemäß. Wechseln Sie zwischen den Geschwindigkeitsmodi, das Dashboard zeigt den entsprechenden Geschwindigkeitsmodus als Symbol an.		✓	✓
	Klingel	Klingeln, der Ton ist laut.		✓	✓
	Gaspedal	Halten Sie den Gashebel gedrückt und lassen Sie ihn dann los, um Beschleunigung und Verzögerung zu prüfen. Hinweis: Lassen Sie den Gashebel los und prüfen Sie, ob der Gashebel in die Position zurückkehrt.		✓	✓

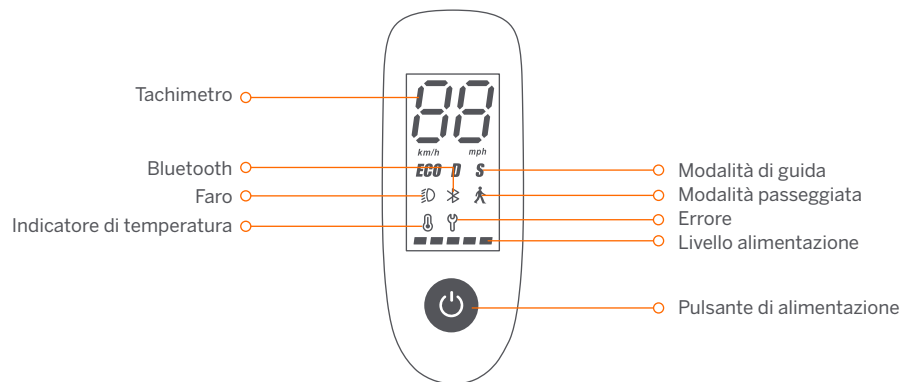


Artikel	Komponente	Wartungsmethode	Alle 3 Monate	Alle 6 Monate oder alle 500 km (310 Meilen)	Nach 2 Jahren oder Gesamtlauflistung > 3107 Meilen (5000 km)
Funktionprüfung	App Erkennung	Nach dem Verbinden mit der Segway-Ninebot-App: 1) Aktualisieren Sie die Firmware auf die neueste Version. 2) Prüfen Sie, ob die Benachrichtigung über den entsprechenden Fehlercode und mögliche Ursachen erfolgt, wenn der Scooter einen Fehler erkennt.		✓	✓
	Laden	Roller aufladen: 1) Überprüfen Sie, ob die aktuelle Batterieleistung auf dem Dashboard angezeigt wird. 2) Überprüfen Sie die LED-Anzeige am Batterieladegerät. Laden: rot. Voll aufgeladen: grün.		✓	✓
	Steuerschalter	Drücken oder schalten Sie die Taste 3 Mal ohne Fehler um.		✓	✓
	Drehen	Test mit Linkskurven und Rechtskurven (der Lenkwinkel beträgt 60). Kein Widerstand oder Verzögerung beim Wenden.		✓	✓
Wichtige Teile	Batteriemontage	Die Batterie muss ausgetauscht werden, wenn sie 500 Mal geladen und entladen wurde oder die Gesamtlauflistung mehr als 6213 Meilen (10000 km) beträgt. Hinweis: Bei längerer Lagerung wird empfohlen, alle 60 Tage einmal aufzuladen.			
	Regler Nabenmotor	Es ist erforderlich, dass für Reparaturen und Ersatzteile Originalteile von Segway-Ninebot verwendet werden.			
Funktionsteile	Hinterradmontage				
	Gas- und Bremshebel				
	Montage der Vorderradgabel				
	Klappmechanismus				
	Brake rotor				
	Montage der Scheibenbremse Armaturen Brett				

## 1 Diagramma



## Cruscotto e Pulsante Alimentazione



**Pulsante di alimentazione:** Premere brevemente per accendere. Premere e tenere premuto il pulsante per 3 secondi per spegnere il monopattino. Quando acceso, fare un clic per accendere/spegnere il faro & luce retro e fare doppio clic per cambiare la modalità di guida.

**Tachimetro:** Indica la velocità attuale. Visualizza anche i codici di errore quando vengono rilevati guasti.

**Modalità passeggiata:** La velocità massima è di 5 km/h (3.1 mph).

**F251 / F401 :** il faro e la luce posteriore lampeggiano e non possono essere spenti.

\* Come abilitare in App: tocca il menu a scorrimento > **Impostazioni** > **Modalità passeggiata**.

**Modalità di guida:** sono disponibili tre differenti modalità. La velocità massima è la seguente:

Modalità	Modello	F251	F401
<b>ECO</b> (modalità di risparmio energetico)		15 km/h	15 km/h
<b>D</b> (modalità standard)		20 km/h	20 km/h
<b>S</b> (modalità Sport)		25 km/h	25 km/h

**Errore:** il simbolo della chiave inglese indica che il monopattino ha rilevato un errore.

**Indicatore di temperatura:** L'icona del termometro sempre acceso indica che la temperatura della batteria ha raggiunto 50 °C (122 °F) o è inferiore a 0 °C (32 °F).

\* A questo punto, il veicolo non può accelerare normalmente ed è possibile che non si riesca a caricarlo. Non utilizzarlo finché la temperatura non si sia abbassata su valori normali.

**Bluetooth:** l'icona indica che il monopattino è stato collegato correttamente al dispositivo mobile.

**Livello alimentazione:** Il livello totale della batteria è pari a 5 barre.

\* Quando il colore della prima barra di carica della batteria diventa di colore rosso, la carica della batteria è molto bassa. Si prega di mettere immediatamente in carica KickScooter.

## 2 Dati tecnici

	Articolo	Parametro
Prodotto	Nome	Ninebot KickScooter
	Modello	F251
	Lunghezza × Larghezza × Altezza	Circa 1143 × 480 × 1160 mm (45 × 18.9 × 45.7 inch)
	Piegato: Lunghezza × Larghezza × Altezza	Circa 1143 × 480 × 495 mm (45 × 18.9 × 19.5 inch)
Utente	Peso netto	Circa 15.3 kg (33.7 lbs)
	Carico utile	40–100 kg (88–220 lbs)
	Età consigliata	14–60 anni
Parametri macchina	Altezza Richiesta	120–200 cm (3'11"–6'6")
	Velocità massima	Circa 25 km/h (15.5 mph)
	Gamma Tipica <sup>[1]</sup>	Circa 25 km (15.5 miles)
	Inclinazione Massima	Circa 10%
	Terreno attraversabile	Piste ciclabili, parchi, campus e la maggior parte delle condizioni stradali pianeggianti e tipiche strade belghe
	Temperatura di funzionamento	-10–40°C (14–104°F)
	Temperatura di immagazzinamento	-10–50°C (14–122°F)
	Classe IP	IPX5
	Durata della Ricarica	Circa 5 h
	Batteria	Tensione nominale
Tensione di ricarica massima		42 V $\equiv$
Temperatura di ricarica		0–40°C (32–104°F)
Capacità nominale		7650 mAh
Energia nominale		275 Wh
Sistema di gestione batteria		Protezione da sovrariscaldamento, scarico, cortocircuito, sovracorrente e sovraccarica
Motore	Potenza nominale	0.3 kW, 300 W
	Potenza di Uscita	0.07 kW, 70 W
Caricatore	Tensione di ingresso	100–240 V-
	Tensione in uscita max.	42 V $\equiv$
	Uscita nominale	41 V $\equiv$ , 1.7 A
	Luce Freno	Luce posteriore a LED
Caratteristiche	Modalità di guida	Modalità Limite Velocità, modalità Standard e modalità Sport
	Pressione dei pneumatici	40–45 psi
Pneumatici	Pneumatici	Pneumatico da 10 pollici

[1] Gamma Tipica: testata durante la guida con una batteria carica, 75 kg (165 libbre) di carico, 25°C (77°F), alla velocità media di 16 km/h (9.9 mph) sull'asfalto.

\* Alcuni fattori che potrebbero influire sull'autonomia sono: velocità, frequenza di arresti e ripartenze, temperatura climatica, etc.

	Articolo	Parametro
Prodotto	Nome	Ninebot KickScooter
	Modello	F40I
	Lunghezza × Larghezza × Altezza	Circa 1143 × 480 × 1160 mm (45 × 18.9 × 45.7 inch)
	Piegato: Lunghezza × Larghezza × Altezza	Circa 1143 × 480 × 495 mm (45 × 18.9 × 19.5 inch)
Utente	Peso netto	Circa 17.1 kg (37.7 lbs)
	Carico utile	40–120 kg (88–265 lbs)
	Età consigliata	14–60 anni
Parametri macchina	Altezza Richiesta	120–200 cm (3'11"–6'6")
	Velocità massima	Circa 25 km/h (15.5 mph)
	Gamma Tipica <sup>[1]</sup>	Circa 40 km (24.9 miles)
	Inclinazione Massima	Circa 20%
	Terreno attraversabile	Piste ciclabili, parchi, campus e la maggior parte delle condizioni stradali pianeggianti e tipiche strade belghe
	Temperatura di funzionamento	-10–40°C (14–104°F)
	Temperatura di immagazzinamento	-10–50°C (14–122°F)
	Classe IP	IPX5
Batteria	Durata della Ricarica	Circa 6.5 h
	Tensione nominale	36 V $\equiv$
	Tensione di ricarica massima	42 V $\equiv$
	Temperatura di ricarica	0–40°C (32–104°F)
	Capacità nominale	10.2 Ah
	Energia nominale	367 Wh
Sistema di gestione batteria	Protezione da sovrariscaldamento, scarico, cortocircuito, sovracorrente e sovraccarica	
Motore	Potenza nominale	0.35 kW, 350 W
	Potenza di Uscita	0.07 kW, 70 W
Caricatore	Tensione di ingresso	100–240 V-
	Tensione in uscita max.	42 V $\equiv$
	Uscita nominale	41 V $\equiv$ , 1.7 A
Caratteristiche	Luce Freno	Luce posteriore a LED
	Modalità di guida	Modalità Limite Velocità, modalità Standard e modalità Sport
Pneumatici	Pressione dei pneumatici	50–55 psi
	Pneumatici	Pneumatico tubeless da 10 pollici

[1] Gamma Tipica: testata durante la guida con una batteria carica, 75 kg (165 libbre) di carico, 25°C (77°F), alla velocità media di 16 km/h (9.9 mph) sull'asfalto.

\* Alcuni fattori che potrebbero influire sull' autonomia sono: velocità, frequenza di arresti e ripartenze, temperatura climatica, etc.

### 3 Certificazioni

Dichiarazione di conformità dell'Unione europea

Importanti informazioni in materia di rifiuti di apparecchiature elettriche ed elettroniche (RAEE)



Questo simbolo sul prodotto o sulla sua confezione indica che i prodotti elettrici ed elettronici usati non devono essere mischiati con i rifiuti urbani indifferenziati. Per un corretto trattamento, è tua responsabilità smaltire le apparecchiature di scarto provvedendo a restituirle ai punti di raccolta designati.

Il corretto smaltimento di questo prodotto consentirà di risparmiare risorse preziose e di prevenire potenziali effetti negativi sulla salute umana e sull'ambiente, che potrebbero derivare da una gestione inappropriata dei rifiuti. Potrebbero essere applicate sanzioni per lo smaltimento non corretto di questi rifiuti, in conformità con la legislazione nazionale.

Si prega di contattare l'autorità locale per ulteriori dettagli sul punto di raccolta designato più vicino.

Informazioni sul riciclaggio della batteria per gli utenti



Questo simbolo significa che batterie e accumulatori, alla fine del loro ciclo di vita, non devono essere mischiati con i rifiuti urbani indifferenziati. La tua partecipazione è una parte importante dello sforzo per ridurre al minimo l'impatto di batterie e accumulatori sull'ambiente e sulla salute umana. Per un corretto riciclaggio è possibile restituire questo prodotto o le batterie o gli accumulatori in esso contenuti al proprio fornitore o in un punto di raccolta designato.

Il corretto smaltimento di questo prodotto consentirà di risparmiare risorse preziose e di prevenire potenziali effetti negativi sulla salute umana e sull'ambiente, che potrebbero derivare da una gestione inappropriata dei rifiuti. Potrebbero essere applicate sanzioni per lo smaltimento non corretto di questi rifiuti, in conformità con la legislazione nazionale.

esistono sistemi di raccolta differenziata per batterie e accumulatori usati.

Per favore, smaltisci correttamente le batterie e gli accumulatori presso la tua comunità locale di raccolta/riciclaggio dei rifiuti centro.

Direttiva sulle apparecchiature radio

Ninebot (Changzhou) Tech Co., Ltd. dichiara che il prodotto elencato in questa sezione è conforme ai requisiti

essenziali e ad altre disposizioni pertinenti della Direttiva sulle apparecchiature radio 2014/53/UE.

#### **Direttiva sulla restrizione dell'uso di determinate sostanze pericolose (RoHS).**

Ninebot (Changzhou) Tech Co., Ltd. dichiara che l'intero prodotto comprese le parti (cavi, cavi e così via) soddisfa i requisiti della Direttiva RoHS 2011/65/UE e modifica della Direttiva delegata (UE) 2015/863 della Commissione sulla limitazione dell'uso di determinate sostanze pericolose nelle apparecchiature elettriche ed elettroniche ("RoHS recast" o "RoHS 2.0").

#### **Direttiva macchine**

Ninebot (Changzhou) Tech Co., Ltd. dichiara che il prodotto elencato in questa sezione è conforme ai requisiti essenziali e ad altre disposizioni pertinenti della Direttiva Macchine 2006/42/CE.



Rappresentante autorizzato:

Segway-Ninebot Europe, Dynamostraat 7, 1014

BN Amsterdam, The Netherlands

Ninebot (Changzhou) Tech Co., Ltd. dichiara che il modello del prodotto: F25I, F40I è conforme ai requisiti essenziali e ad altre disposizioni pertinenti della Direttiva sulle apparecchiature radio 2014/53/UE e della Direttiva Macchine 2006/42/CE e della Direttiva RoHS 2011/65/UE e modifica Direttiva delegata (UE) 2015/863 della Commissione.

La dichiarazione di conformità può essere visionata al seguente indirizzo: <http://eu-en.segway.com/support-instructions>

Bluetooth	Banda/e di frequenza	2.4000-2.4835 GHz
	Max. Potenza RF	20 mW

## **4 Marchio**

Ninebot è un marchio registrato di Ninebot (Beijing) Tech. Co., Ltd; Powered by Segway, Segway e Rider Design sono marchi registrati di Segway Inc.; Bluetooth è il marchio registrato di BLUETOOTH SIG, INC.; Android e Google Play sono marchi registrati di Google Inc.; App Store è un marchio di servizio di Apple Inc.; i rispettivi proprietari si riservano i diritti dei loro marchi citati in questo manuale.

KickScooter è coperto dai relativi brevetti. Per informazioni sui brevetti andare su <http://www.segway.com>.

Al momento della stampa, abbiamo tentato di includere descrizioni e istruzioni per tutte le funzionalità di KickScooter. Tuttavia, a causa del costante miglioramento delle caratteristiche del prodotto e dei cambiamenti di progettazione, il tuo KickScooter potrebbe differire leggermente da quello descritto in questo documento. Visitez l' App Store d' Apple (IOS) ou le Google Play Store (Android) pour télécharger et installer l'appli.

Si prega di notare che esistono diversi modelli Segway e Ninebot con diverse funzioni e alcune delle funzioni menzionate in questo documento potrebbero non essere applicabili all'unità. Il produttore si riserva il diritto di modificare la progettazione e la funzionalità del prodotto e della documentazione KickScooter senza preavviso.

© 2022 Ninebot (Beijing) Tech Co. Ltd. Tutti i diritti riservati.

(※L'app è adatta per KickScooter che supporta "Bluetooth")

## 5 Programma di manutenzione consigliato

Per garantire una guida sicura, l'assistenza quotidiana e la manutenzione regolare sono essenziali. Tu, il proprietario, hai il controllo e la conoscenza di quanto spesso usi il tuo scooter, quanto duramente lo usi e dove lo usi. È compito del proprietario responsabilità di eseguire controlli regolari e portare lo scooter presso un centro di assistenza autorizzato per l'ispezione e l'assistenza. Per la tua sicurezza e una migliore esperienza di guida, eseguire una manutenzione regolare del KickScooter. Fare riferimento al programma di manutenzione di seguito.

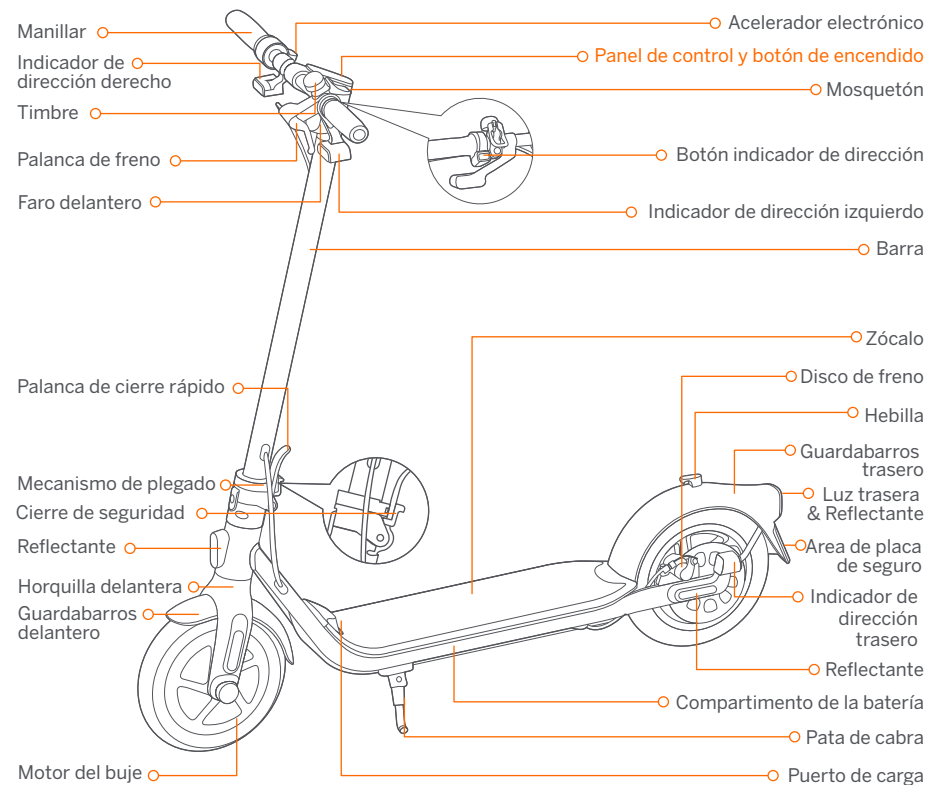
Nota: questo programma di manutenzione addebita una tariffa di servizio.

Articolo	Componente	Metodo di manutenzione	Ogni 3 mesi	Ogni 6 mesi o ogni 310 miglia (500 km)	Dopo 2 anni o il chilometraggio totale > 3107 miglia (5000 km)
Manutenzione del mainframe	Parti del mainframe	Utilizzare un panno morbido e umido per pulire il mainframe.	✓	✓	✓
	Pressione dei pneumatici	F25I: Gonfia le gomme a 40-45 psi. F40I: Gonfia le gomme a 50-55 psi. Nota: ricordarsi di avvitare il tappo della valvola dopo il gonfiaggio!	✓	✓	✓
	Usura dei pneumatici	Controllare se i pneumatici sono incrinati, deformati o notevolmente usurati.		✓	✓
	Viti sulla parte superiore dello stelo	Serrare le sei viti fissate con il manubrio e l'attacco. La coppia suggerita è di 5,5±0,5 N-m.	✓	✓	✓
		Serrare le viti sull'acceleratore. La coppia consigliata è di 3,5±0,1 N-m. Stringere le viti sulle leve dei freni. La coppia consigliata è di 5,5±0,1 N-m.		✓	✓
		Stringere le viti sulla parte superiore dello stelo. La coppia suggerita è di 10±0,5 N-m.			
	Viti sul meccanismo pieghevole	Avvitare le due viti fissate con la forcella anteriore e il meccanismo di piegatura. La coppia consigliata è di 10 N-m. Se l'attacco manubrio traballa durante la guida, serrare le viti sul meccanismo di piegatura quando lo scooter è piegato. La coppia consigliata è di 12,5 N-m.		✓	✓
Gruppo disco freno	Serrare le viti del gruppo disco freno. La coppia consigliata è 7,7±0,2 N-m.		✓	✓	

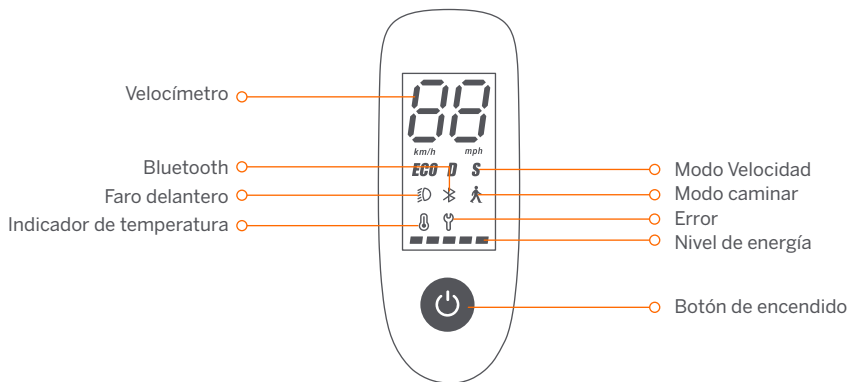
Articolo	Componente	Metodo di manutenzione	Ogni 3 mesi	Ogni 6 mesi o ogni 310 miglia (500 km)	Dopo 2 anni o il chilometraggio totale > 3107 miglia (5000 km)
Ispezione funzionale	Motore a mozzo	Per accelerare e decelerare, controllare se il motore del mozzo è in stallo o emette suoni anomali.		✓	✓
	Manutenzione della ruota posteriore	Controllare se la ruota posteriore è in stallo o traballa, o l'albero dell'asse è sbilanciato.		✓	✓
	Regolazione del freno	Se il freno è troppo stretto / allentato, utilizzare la chiave a brugola da 4 mm per allentare le viti sul calibro. Quindi regolare leggermente la linea del freno (ridurre / aumentare la lunghezza esposta) e serrare nuovamente le viti.		✓	✓
	Rotore del freno	Far girare le ruote, la pinza deve essere allineata al rotore e non devono sfregare sulle pastiglie dei freni.		✓	✓
	Fanale posteriore	Premi le leve dei freni, le luci posteriori funzionano normalmente.		✓	✓
	Faro	Controllare il faro e vedere se si accende intensamente.		✓	✓
	Indicatori di direzione	Spostare il pulsante dell'indicatore di direzione rispettivamente verso sinistra/destra, controllare se gli indicatori di direzione sul lato sinistro/destro lampeggiano normalmente.		✓	✓
	Faro	Accendere/spengere il monopattino, il suono del cicalino è normale.		✓	✓
	Pannello	Accendere lo scooter, il cruscotto funziona correttamente. Passare da una modalità di velocità all'altra, il cruscotto visualizzerà l'icona della modalità di velocità corrispondente.		✓	✓
	campana	Suona il campanello, il suono è forte.		✓	✓
Acceleratore	Tenere premuto l'acceleratore, quindi rilasciarlo, controllando l'accelerazione e la decelerazione. Nota: rilasciarlo, controllare se l'acceleratore torna in posizione.		✓	✓	

Articolo	Componente	Metodo di manutenzione	Ogni 3 mesi	Ogni 6 mesi o ogni 310 miglia (500 km)	Dopo 2 anni o il chilometraggio totale > 3107 miglia (5000 km)
Ispezione funzionale	rilevamento dell'app	Dopo la connessione con l'app Segway-Ninebot: 1) Aggiorna il firmware all'ultima versione. 2) Verificare se la notifica del codice di errore corrispondente e delle possibili cause verrà visualizzata quando lo scooter rileva un errore.		✓	✓
	Ricarica	Ricaricare lo scooter: 1) Verificare se sul cruscotto viene visualizzata la carica attuale della batteria. 2) Controllare l'indicatore LED sul caricabatteria. Ricarica: rossa. Completamente carico: verde.		✓	✓
	Interruttore di controllo	Premere o attivare il pulsante 3 volte senza errori.		✓	✓
	Girando	Prova con curve a sinistra e curve a destra (l'angolo di sterzata è 60). Nessuna resistenza o ritardo in curva.		✓	✓
Parti importanti	Assemblaggi o batteria	La batteria deve essere sostituita quando viene caricata e scaricata per 500 volte o il chilometraggio totale è superiore a 6213 miglia (10000 km). Nota: si consiglia di caricare una volta ogni 60 giorni per la conservazione a lungo termine.			
	Controllore Motore a mozzo				
Parti funzionali	Montaggio ruota posteriore	È necessario che le parti Segway-Ninebot originali vengano utilizzate per le riparazioni e le sostituzioni.			✓
	Leve acceleratore e freno				
	Gruppo forcella anteriore				
	Meccanismo pieghevole				
	Rotore				
	Gruppo freno a disco				
	Pannello				

## 1 Diagrama



## Panel de control y botón de encendido



**Botón de encendido:** Pulsación breve para encender. Mantenga presionado el botón 3 segundos para apagar el patinete. Cuando el patinete está encendido, una pulsación para encender / apagar el faro delantero y luz trasera, dos pulsaciones para cambiar el modo de velocidad.

**Velocímetro:** indica la velocidad actual. También muestra códigos de error si se detectan averías.

**Modo caminar:** La velocidad máxima es de 5 km/h (3.1 mph).

**F25I / F40I :** El faro y la luz trasera parpadean y no se pueden apagar.

\* Cómo habilitar en la aplicación: toca el menú de diapositivas > **Configuración** > **Modo caminar**.

**Modo de velocidad:** hay tres modos disponibles. La velocidad máxima es:

Modelo	F25I	F40I
<b>ECO</b> (modo de ahorro energético)	15 km/h	15 km/h
<b>D</b> (modo estándar)	20 km/h	20 km/h
<b>S</b> (modo deportivo)	25 km/h	25 km/h

**Error:** El icono con forma de llave inglesa indica que el patinete ha detectado un error.

**Indicador de temperatura:** El icono de termómetro siempre encendido indica que la temperatura de la batería ha alcanzado los 55°C (131°F) o está por debajo de 0°C (32°F).

\* Llegados a ese punto, el vehículo no podrá acelerar con normalidad y podrá no cargarse. No lo use hasta que la temperatura haya regresado a valores normales.

**Bluetooth:** El icono indica que el patinete se ha conectado al dispositivo móvil correctamente.

**Nivel de energía:** El nivel total de la batería es igual a 5 barras.

\* La energía de la batería es muy baja cuando la primera barra de la batería es roja. Cargue su KickScooter inmediatamente.

## 2 Especificaciones

	Artículo	Parámetro
Producto	Nombre	Ninebot KickScooter
	Modelo	F25I
	Largo x Ancho x Alto	Aprox. 1143 x 480 x 1160 mm (45 x 18.9 x 45.7 inch)
	Plegado: Largo x Ancho x Alto	Aprox. 1143 x 480 x 495 mm (45 x 18.9 x 19.5 inch)
Usuario	Peso neto	Aprox. 15.3 kg (33.7 lbs)
	Carga útil	40–100 kg (88–220 lbs)
	Edad recomendada	14–60 años
Parámetros de la máquina	Altura necesaria	120–200 cm (3'11"–6'6")
	Velocidad máxima	Aprox. 25 km/h (15.5 mph)
	Autonomía típica [1]	Aprox. 25 km (15.5 miles)
	Pendiente máxima	Aprox. 10%
	Terreno apropiado	Carriles para bicicletas, parques, campus y la mayoría de las condiciones de carreteras llanas y las carreteras típicas belgas
	Temperatura de operación	-10–40°C (14–104°F)
	Temperatura de almacenamiento	-10–50°C (14–122°F)
	Índice IP	IPX5
	Duración de la carga	Aprox. 5 h
	Batería	Voltaje nominal
Voltaje de carga máximo		42 V ===
Temperatura de carga		0–40°C (32–104°F)
Capacidad nominal		7650 mAh
Energía nominal		275 Wh
	Sistema de gestión de la batería	Protección contra sobrecalentamiento, sobredescarga, cortocircuito, sobrecorriente y sobrecarga
Motor	Potencia nominal	0.3 kW, 300 W
	Potencia de salida	0.07 kW, 70 W
Cargador	Voltaje de entrada	100–240 V-
	Tensión de salida máxima	42 V ===
	Salida nominal	41 V ===, 1.7 A
	luz de freno	Luz LED trasera
Características	Modo Velocidad	modo de ahorro energético, modo estándar y modo deportivo
	Presión de los neumáticos	4045 psi
Rueda	llantas	Neumático de 10 pulgadas

[1] Autonomía típica: probado mientras se conduce con la batería totalmente cargada, 75 kg (165 lb) de carga, 25 °C (77 °F), a una velocidad de 16 km/h (9.9 mph) de promedio sobre pavimento.

\* Algunos de los factores que afectan el rango incluyen: velocidad, número de arranques y paradas, temperatura ambiente, etc.

	Artículo	Parámetro
Producto	Nombre	Ninebot KickScooter
	Modelo	F40I
	Largo x Ancho x Alto	Aprox. 1143 x 480 x 1160 mm (45 x 18.9 x 45.7 inch)
	Plegado: Largo x Ancho x Alto	Aprox. 1143 x 480 x 495 mm (45 x 18.9 x 19.5 inch)
	Peso neto	Aprox. 17.1 kg (37.7 lbs)
Usuario	Carga útil	40–120 kg (88–265 lbs)
	Edad recomendada	14–60 años
	Altura necesaria	120–200 cm (3'11"–6'6")
Parámetros de la máquina	Velocidad máxima	Aprox. 25 km/h (15.5 mph)
	Autonomía típica [1]	Aprox. 40 km (24.9 miles)
	Pendiente máxima	Aprox. 20%
	Terreno apropiado	Carriles para bicicletas, parques, campus y la mayoría de las condiciones de carreteras llanas y las carreteras típicas belgas
	Temperatura de operación	-10–40°C (14–104°F)
	Temperatura de almacenamiento	-10–50°C (14–122°F)
	Índice IP	IPX5
Batería	Duración de la carga	Aprox. 6.5 h
	Voltaje nominal	36 V $\equiv$
	Voltaje de carga máximo	42 V $\equiv$
	Temperatura de carga	0–40°C (32–104°F)
	Capacidad nominal	10.2 Ah
	Energía nominal	367 Wh
Sistema de gestión de la batería	Protección contra sobrecalentamiento, sobredescarga, cortocircuito, sobrecorriente y sobrecarga	
Motor	Potencia nominal	0.35 kW, 350 W
	Potencia de salida	0.07 kW, 70 W
Cargador	Voltaje de entrada	100–240 V-
	Tensión de salida máxima	42 V $\equiv$
	Salida nominal	41 V $\equiv$ , 1.7 A
Características	luz de freno	Luz LED trasera
	Modo Velocidad	modo de ahorro energético, modo estándar y modo deportivo
Rueda	Presión de los neumáticos	50–55 psi
	Llantas	Neumático sin cámara de 10 pulgadas

[1] Autonomía típica: probado mientras se conduce con la batería totalmente cargada, 75 kg (165 lb) de carga, 25 °C (77 °F), a una velocidad de 16 km/h (9.9 mph) de promedio sobre pavimento.

\* Algunos de los factores que afectan el rango incluyen: velocidad, número de arranques y paradas, temperatura ambiente, etc.

### 3 Homologaciones

#### Declaración de conformidad de la Unión Europea

##### Información importante sobre RAEE



Este símbolo en el producto o en su embalaje indica que los productos eléctricos y electrónicos usados no deben mezclarse con residuos municipales sin clasificar. Para un tratamiento adecuado, es su responsabilidad deshacerse de su equipo de desecho devolviéndolo a los puntos de recogida designados.

La eliminación correcta de este producto ayudará a ahorrar recursos valiosos y evitará cualquier posible efecto negativo en la salud humana y el medio ambiente, que de otro modo podría derivarse de un manejo inadecuado de los desechos.

Pueden aplicarse sanciones por la eliminación incorrecta de estos residuos, de acuerdo con su legislación nacional. Comuníquese con su autoridad local para obtener más detalles sobre el punto de recolección designado más cercano.

##### Información de reciclaje de baterías para usuarios



Este símbolo significa que las pilas y acumuladores, al final de su vida útil, no deben mezclarse con residuos municipales sin clasificar. Su participación es una parte importante del esfuerzo para minimizar el impacto de las pilas y acumuladores en el medio ambiente y en la salud humana. Para un reciclaje adecuado puede devolver este producto o las pilas o acumuladores que contiene a su proveedor o a un punto de recogida designado.

La eliminación correcta de este producto ayudará a ahorrar recursos valiosos y evitará cualquier posible efecto negativo en la salud humana y el medio ambiente, que de otro modo podría derivarse de un manejo inadecuado de los desechos.

Pueden aplicarse sanciones por la eliminación incorrecta de estos residuos, de acuerdo con su legislación nacional. existen sistemas de recogida selectiva de pilas y acumuladores usados.

Por favor, deshágase de las baterías y acumuladores correctamente en el centro de recolección/reciclaje de residuos de su comunidad local centrar.

##### Directiva de equipos de radio



Ninebot (Changzhou) Tech Co., Ltd. declara por la presente que el producto enumerado en esta sección cumple con los requisitos esenciales y otras disposiciones relevantes de la Directiva de equipos de radio 2014/53/UE.

#### Restricción del uso de ciertas sustancias peligrosas (RoHS) Directiva

Ninebot (Changzhou) Tech Co., Ltd. declara por la presente que todo el producto, incluidas las piezas (cables, cordones, etc.), cumple con los requisitos de la Directiva RoHS 2011/65/UE y la enmienda de la Directiva Delegada (UE) 2015/863 de la Comisión sobre la restricción del uso de ciertas sustancias peligrosas en equipos eléctricos y electrónicos ("RoHS refundido" o "RoHS 2.0").

#### Directiva de maquinaria

Ninebot (Changzhou) Tech Co., Ltd. declara por la presente que el producto enumerado en esta sección cumple con los requisitos esenciales y otras disposiciones relevantes de la Directiva de Maquinaria 2006/42/EC.



Representante autorizado:

Segway-Ninebot Europe, Dynamostraat 7, 1014 BN  
Amsterdam, The Netherlands

Ninebot (Changzhou) Tech Co., Ltd. niniejszym oświadcza, że model produktu: F25I, F40I jest zgodny z zasadniczymi wymaganiami i innymi stosownymi postanowieniami dyrektywy w sprawie urządzeń radiowych 2014/53/UE, dyrektywy maszynowej 2006/42/WE oraz dyrektywy RoHS 2011/65/UE i zmiana Dyrektywa delegowana Komisji (UE) 2015/863.

Deklarację zgodności można zobaczyć pod następującym adresem: <http://eu-en.segway.com/support-instructions>

Bluetooth	Bandas de frecuencia	2.4000-2.4835 GHz
	Potencia de RF máxima	20 mW

## 4 Marca comercial

Ninebot es una marca comercial registrada de Ninebot (Beijing) Tech. Co., Ltd; Powered by Segway, Segway y Rider Design son marcas comerciales registradas de Segway Inc.; Bluetooth es una marca registrada de BLUETOOTH SIG, INC.; Android y Google Play son marcas comerciales de Google Inc.; App Store es una marca de servicio de Apple Inc. Los respectivos propietarios se reservan los derechos de sus marcas comerciales citadas en este manual.

El KickScooter está cubierto por las patentes relevantes. Para consultar la información sobre las patentes, visita <http://www.segway.com>.

Hemos tratado de incluir la descripción e instrucciones para todas las funciones del KickScooter incluidas al cierre de la publicación. Sin embargo, debido a la mejora constante de las características del producto y a los cambios en el diseño, es posible que su KickScooter presente ligeras diferencias respecto al que se muestra en este documento. Visite la Apple App Store (iOS) o la Google Play Store (Android) para descargar e instalar la aplicación.

Ten en cuenta que existen numerosos modelos de Segway y Ninebot con diferentes funciones y algunas de las funciones mencionadas podrían no corresponder a tu unidad. El fabricante se reserva el derecho a modificar el diseño y las funciones del producto KickScooter y la documentación sin previo aviso.

© 2022 Ninebot (Beijing) Tech Co. Ltd. Todos los derechos reservados.

(※La aplicación es compatible con el KickScooter que soporta "Bluetooth")

## 5 Recommended Maintenance Schedule

Para garantizar una conducción segura, el cuidado diario y el mantenimiento regular son esenciales. Usted, el propietario, debe conocer y controlar la frecuencia con la que usa su patinete, la intensidad con la que lo usa y dónde lo usa. Es responsabilidad del propietario efectuar revisiones periódicas, y llevar su patinete a un taller autorizado para su inspección y servicio. Consulte el programa de mantenimiento a continuación.

Nota: El programa de mantenimiento precisa el pago de la tarifa de servicio.

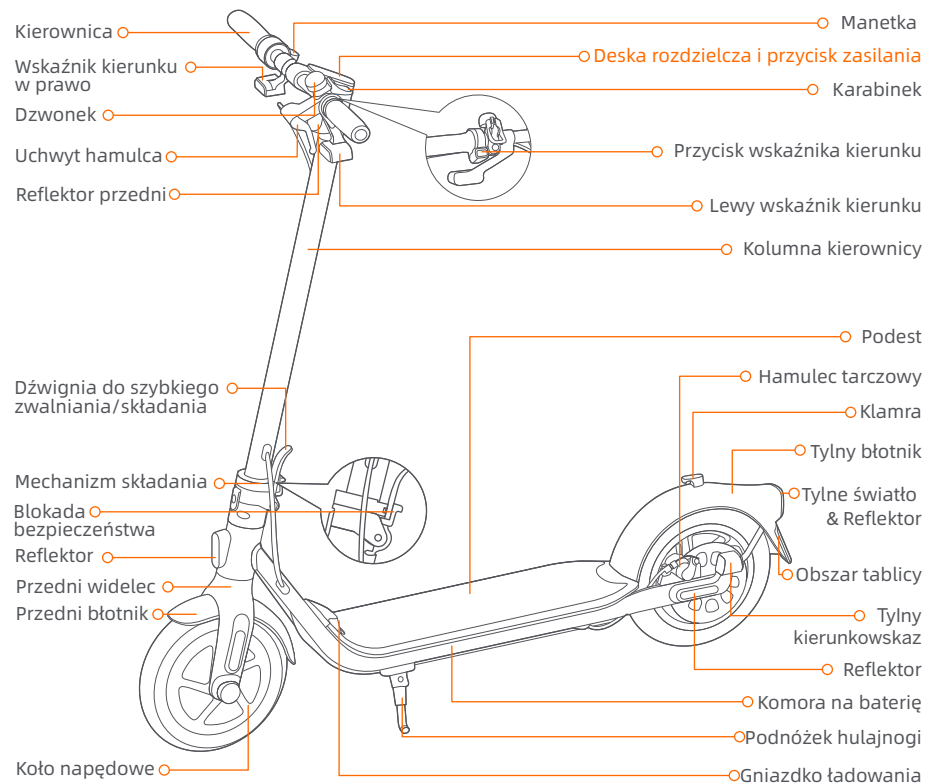
Elemento	Componente	Método de mantenimiento	Cada 3 meses	Cada 6 meses o cada 500 km (310 millas)	Después de 2 años o kilometraje total > 5 000 km (3 107 millas)
Mantenimiento del cuadro	Piezas del cuadro	Use un paño suave y húmedo para limpiar el cuadro.	✓	✓	✓
	Presión de los neumáticos	F25i: Infle los neumáticos a 40-45 psi. F40i: Infle los neumáticos a 50-55 psi. Nota: Recuerde atornillar la tapa de la válvula después de inflar.	✓	✓	✓
	Desgaste de los neumáticos	Compruebe si los neumáticos están agrietados, deformados o muy gastados.		✓	✓
	Tornillos en la parte superior del mástil	Apriete los seis tornillos fijados al manillar y al mástil. El par de torsión sugerido es de 5,5±0,5 N.m.	✓	✓	✓
		Apriete el tornillo del acelerador. El par sugerido es de 3,5±0,1 N.m. Apriete los tornillos de las palancas de freno. El par sugerido es de 5,5±0,1 N.m. Apriete los tornillos en la parte superior del mástil. El par sugerido es de 10±0,5 N.m.		✓	✓
	Tornillos en el mecanismo de plegado.	Apriete los dos tornillos fijados con la horquilla delantera y el mecanismo de plegado. El par sugerido es de 10 N.m. Si el mástil vibra al conducir, apriete los tornillos del mecanismo de plegado cuando el patinete esté plegado. El par sugerido es de 12,5 N.m.		✓	✓
	Conjunto del disco de freno	Apriete los tornillos en el conjunto del disco de freno. El par motor sugerido es de 7,7±0,2 m.		✓	✓
	Inspección de funciones	Motor de rueda	Para acelerar y desacelerar, verifique si el motor de rueda está atascado o tiene sonidos anormales.		✓
Mantenimiento de la rueda trasera		Compruebe si la rueda trasera se atasca o se inmoviliza, o si el eje está desequilibrado.		✓	✓

Elemento	Componente	Método de mantenimiento	Cada 3 meses	Cada 6 meses o cada 500 km (310 millas)	Después de 2 años o kilometraje total > 5 000 km (3 107 millas)
Inspección de funciones	Ajuste del freno de disco	Si el freno está demasiado apretado / flojo, utilice la llave Allen de 4 mm para aflojar el tornillo del calibrador. A continuación, ajuste ligeramente el cable del freno (disminuir / aumentar la duración de la exposición) y vuelva a apretar el tornillo.		✓	✓
	Rotor del freno	Gire las ruedas, la pinza debe estar alineada con el rotor y no deben rozar las pastillas de freno.		✓	✓
	Luz trasera	Apriete las palancas de freno, el faro trasero funciona con normalidad.		✓	✓
	Faro	Revise el faro y vea si se enciende con fuerza.		✓	✓
	Indicadores de dirección	Mueva el botón del indicador de dirección hacia la izquierda/derecha respectivamente, compruebe si los indicadores de dirección del lado izquierdo/derecho parpadean normalmente.		✓	✓
	Timbre	Encienda/apague el patinete, el sonido del zumbador es normal.		✓	✓
	Panel de control	Encienda el patinete, el panel de control debe funcionar correctamente. Cambie entre los modos de velocidad, el tablero mostrará el icono del modo de velocidad correspondiente.		✓	✓
	Timbre	Toca el timbre, el sonido es fuerte.		✓	✓
	Acelerador	Presione y sostenga el acelerador y luego suéltelo, verificando la aceleración y desaceleración. Nota: Suelte el acelerador y compruebe que vuelve a su posición.		✓	✓
	Detección de fallos	Después de conectarse con la aplicación Segway-Ninebot: 1) Actualice el firmware a la última versión. 2) Compruebe si la notificación del código de error correspondiente y las posibles causas aparecen cuando el patinete detecta un error.		✓	✓
	Carga	Cargue el patinete: 1) Verifique si la energía actual de la batería se muestra en el panel de control. 2) Revise el indicador LED en el cargador de la batería. Cargando: rojo. Completamente cargado: verde.		✓	✓
	Interruptores de control	Presione o mueva el botón 3 veces sin fallar.		✓	✓

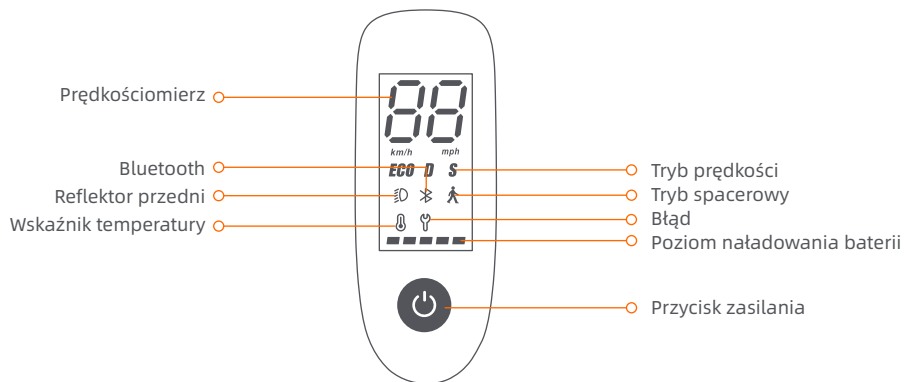
Elemento	Componente	Método de mantenimiento	Cada 3 meses	Cada 6 meses o cada 500 km (310 millas)	Después de 2 años o kilometraje total > 5 000 km (3 107 millas)
Inspección de funciones	Giro	Pruebe con giros a la izquierda y giros a la derecha (el ángulo de dirección es 60). Sin resistencia ni retraso al girar.		✓	✓
Piezas importantes	Batería	La batería debe reemplazarse cuando se cargue y descargue 500 veces o cuando el kilometraje total sea superior a 10 000 km (6 213 millas). Nota: Se recomienda cargar una vez cada 60 días en caso de almacenamiento a largo plazo.			
	Controlador Motor de rueda				
Piezas funcionales	Rueda trasera	Se deben utilizar piezas originales de Segway-Ninebot para reparaciones y recambios.			✓
	Palancas de acelerador y freno				
	Horquilla delantera				
	Mecanismo de plegado				
	Rotor del freno				
	Freno de disco				
	Panel de control				

PL

## 1 Schemat



## Deska rozdzielcza i przycisk zasilania



**Przycisk Start:** Krótko naciśnij przycisk Start, aby włączyć. Naciśnij i przytrzymaj przycisk przez 3 sekundy, aby wyłączyć skuter. Przy włączonej hulajnodze KickScooter naciśnij przycisk Start, aby włączyć / wyłączyć światło przednie i tylne, a następnie naciśnij dwukrotnie, aby przelączać między trybami prędkości.

**Prędkościomierz:** wskazuje aktualną prędkość hulajnogi. Wyświetla również kody błędów.

**Tryb spacerowy:** Maksymalna prędkość wynosi 5 km/h (3.1 mph).

**F25I / F40I:** Reflektor przedni i tylne światło migają i nie można ich wyłączyć.

\* Jak włączyć w aplikacji: Wybierz menu slajdów > **Ustawienia** > **Tryb spacerowy**.

**Tryb prędkości:** są dostępne 3 tryby. Maksymalna prędkość wynosi:

Tryby	Model	F25I	F40I
ECO (tryb oszczędzania energii)		15 km/h	15 km/h
D (tryb standardowy)		20 km/h	20 km/h
S (tryb sportowy)		25 km/h	25 km/h

**Błąd:** wskazuje, że hulajnoga wykryła błąd.

**Wskaźnik temperatury:** wskazuje, że temperatura osiągnęła 55°C (131°F) lub jest niższa niż 0°C (32°F).

\* W takim przypadku pojazd nie może przyspieszać normalnie i może nie być naładowany. Nie korzystaj z niego, aż temperatura wróci do normalnego zakresu.

**Bluetooth:** ikona wskazuje, że hulajnoga została pomyślnie połączona z urządzeniem mobilnym.

**Poziom naładowania baterii:** Całkowity poziom naładowania baterii odpowiada pięciu paskom.

\* Poziom naładowania baterii jest bardzo niski, gdy pierwszy pasek wskaźnika baterii jest czerwony. Należy natychmiast naładować baterię hulajnogi kickscoter.

## 2 Charakterystyka

	Poz	Parametr
Produkt	Imię	Ninebot KickScooter
	Model	F25I
	dł. x szer. x wys.	Około 1143 x 480 x 1160 mm (45 x 18.9 x 45.7 inch)
	Złożony: dł. x szer. x wys.	Około 1143 x 480 x 495 mm (45 x 18.9 x 19.5 inch)
Użytkownik	Masa netto	Około 14,8 kg (32,6 lbs)
	Ładowność	40-100 kg (88-220 lbs)
	Zalecany wiek	14-60 lat
Parametry urządzenia	Wymagany wzrost	120-200 cm (3'11"-6'6")
	Prędkość max.	Około 25 km/h (15,5 mph)
	Typowy zasięg [1]	Około 25 km (15,5 miles)
	Max. nachylenie	Około 10%
	Możliwość jazdy po	Ścieżki rowerowe, parki i większość płaskich dróg i typowych belgijskich dróg
	Temperatura robocza	Od -10 do 40°C (14-104°F)
	Temperatura przechowywania	Od -10 do 50°C (14-122°F)
	Klasa ochrony	IPX5
	Czas ładowania	Około 5 h
Akumulator	Napięcie znamionowe	36 V $\approx$
	Max. napięcie ładowania	42 V $\approx$
	Temperatura ładowania	Od 0 do 40°C (32-104°F)
	Pojemność znamionowa	7650 mAh
	Energia nominalna	275 Wh
System zarządzania baterią	Ochrona przed przegrzaniem, zwarcie, przeciążeniem, nadmiernym rozładowaniem i przeladowaniem	
Silnik	Moc znamionowa	0,3 kW, 300 W
	Moc wyjściowa	0,07 kW, 70 W
Ładowarka	Napięcie wejściowe	100-240 V~
	Maks. napięcie wyjściowe	42 V $\approx$
	Wyjście znamionowe	41 V $\approx$ , 1,7 A
Funkcje	Światło hamowania	Lampa diodowa tylna
	Tryb prędkości	Tryb oszczędzania energii, tryb standardowy, tryb sportowy
Opona	Ciśnienie w oponach	40-45 psi
	Opony	10-calowa opona pneumatyczna

[1] Typowy zasięg: testowany podczas jazdy z pełnym akumulatorem, obciążenie 75 kg (165 funtów), 25°C (77°F), przy średniej prędkości 16 km/h na chodniku.

\* Niektóre czynniki, wpływające na zasięg to: prędkość, liczba uruchomień i zatrzymań urządzenia, temperatura otoczenia itp.

	Poz	Parametr
Produkt	Imię	Ninebot KickScooter
	Model	F40I
	dł. x szer. x wys.	Około 1143 x 480 x 1160 mm (45 x 18.9 x 45.7 inch)
	Złożony: dł. x szer. x wys.	Około 1143 x 480 x 495 mm (45 x 18.9 x 19.5 inch)
	Masa netto	Około 17.1 kg (37.7 lbs)
Użytkownik	Ładowność	40-120 kg (88-265 lbs)
	Zalecany wiek	14-60 lat
	Wymagany wzrost	120-200 cm (3'11"-6'6")
Parametry urządzenia	Prędkość max.	Około 25 km/h (15.5 mph)
	Typowy zasięg <sup>[1]</sup>	Około 40 km (24.9 miles)
	Max. nachylenie	Około 20%
	Możliwość jazdy po	Ścieżki rowerowe, parki i większość płaskich dróg i typowych belgijskich dróg
	Temperatura robocza	Od -10 do 40°C (14-104°F)
	Temperatura przechowywania	Od -10 do 50°C (14-122°F)
	Klasa ochrony	IPX5
Akumulator	Czas ładowania	Około 6.5 h
	Napięcie znamionowe	36 V $\text{---}$
	Max. napięcie ładowania	42 V $\text{---}$
	Temperatura ładowania	Od 0 do 40°C (32-104°F)
	Pojemność znamionowa	10.2 Ah
	Energia nominalna	367 Wh
	System zarządzania baterią	Ochrona przed przegrzaniem, zwarcim, przeciążeniem, nadmiernym rozładowaniem i przeladowaniem
Silnik	Moc znamionowa	0.35 kW, 350 W
	Moc wyjściowa	0.07 kW, 70 W
Ładowarka	Napięcie wejściowe	100-240 V~
	Maks. napięcie wyjściowe	42 V $\text{---}$
	Wyjście znamionowe	41 V $\text{---}$ , 1.7 A
	Światło hamowania	Lampa diodowa tylna
Funkcje	Tryb prędkości	Tryb oszczędzania energii, tryb standardowy, tryb sportowy
	Ciśnienie w oponach	50-55 psi
Opona	Opony	10-calowa opona bezdętkowa

[1] Typowy zasięg: testowany podczas jazdy z pełnym akumulatorem, obciążenie 75 kg (165 funtów), 25°C (77°F), przy średniej prędkości 16 km/h na chodniku.

\* Niektóre czynniki, wpływające na zasięg to: prędkość, liczba uruchomień i zatrzymań urządzenia, temperatura otoczenia itp.

### 3 Atesty

#### Oświadczenie o zgodności Unii Europejskiej

#### Ważne informacje, dotyczące ZSEE (WEEE)



Ten symbol na produkcie lub jego opakowaniu oznacza, że zużytych produktów elektrycznych i elektronicznych nie należy mieszać z niesortowanymi odpadami komunalnymi. Aby zapewnić prawidłowe przetwarzanie, użytkownik jest odpowiedzialny za pozbycie się zużytego sprzętu poprzez zorganizowanie jego zwrotu do wyznaczonych punktów zbiórki.

Właściwa utylizacja tego produktu pomoże zaoszczędzić cenne zasoby i zapobiec wszelkim potencjalnym negatywnym skutkom dla zdrowia ludzkiego i środowiska, które w przeciwnym razie mogłyby wynikać z niewłaściwego postępowania z odpadami.

Za nieprawidłową utylizację tych odpadów mogą zostać nałożone kary, zgodnie z krajowymi przepisami.

Prosimy o kontakt z lokalnymi władzami w celu uzyskania dalszych informacji o najbliższym wyznaczonym punkcie zbiórki.

#### Informacje dotyczące recyklingu baterii dla użytkowników



Ten symbol oznacza, że baterie i akumulatory po zużyciu nie powinny być mieszane z niesortowanymi odpadami komunalnymi. Twój udział jest ważną częścią wysiłków na rzecz zminimalizowania wpływu baterii i akumulatorów na środowisko i zdrowie ludzi. W celu prawidłowego recyklingu możesz zwrócić ten produkt lub baterie lub akumulatory, które zawiera, do dostawcy lub do wyznaczonego punktu zbiórki.

Właściwa utylizacja tego produktu pomoże zaoszczędzić cenne zasoby i zapobiec wszelkim potencjalnym negatywnym skutkom dla zdrowia ludzkiego i środowiska, które w przeciwnym razie mogłyby wynikać z niewłaściwego postępowania z odpadami.

Za nieprawidłową utylizację tych odpadów mogą zostać nałożone kary, zgodnie z krajowymi przepisami. Istnieją oddzielne systemy zbiórki zużytych baterii i akumulatorów.

Prosimy o prawidłową utylizację baterii i akumulatorów w lokalnej zbiórce/recyklingu odpadów środek.

#### Dyrektywa w sprawie urządzeń radiowych

Ninebot (Changzhou) Tech Co., Ltd. niniejszym oświadcza, że produkt wymieniony w tej sekcji jest zgodny z podstawowymi wymaganiami i innymi stosownymi postanowieniami dyrektywy w sprawie urządzeń radiowych 2014/53/UE.

#### Dyrektywa w sprawie ograniczeń w stosowaniu niektórych substancji niebezpiecznych (RoHS)

Ninebot (Changzhou) Tech Co., Ltd. niniejszym oświadcza, że cały produkt, w tym części (kable, przewody itp.) spełnia wymagania dyrektywy RoHS 2011/65/UE i zmiany dyrektywy delegowanej Komisji (UE) 2015/863 w sprawie ograniczenia stosowania niektórych niebezpiecznych substancji w sprzęcie elektrycznym i elektronicznym („RoHS przekształcenie” lub „RoHS 2.0”).

#### Dyrektywa maszynowa

Ninebot (Changzhou) Tech Co., Ltd. niniejszym oświadcza, że produkt wymieniony w tej sekcji jest zgodny z zasadniczymi wymaganiami i innymi stosownymi postanowieniami dyrektywy maszynowej 2006/42/WE.



Upoważniony przedstawiciel:

Segway-Ninebot Europe, Dynamostraat 7, 1014 BN  
Amsterdam, The Netherlands

Ninebot (Changzhou) Tech Co., Ltd. niniejszym oświadcza, że model produktu: F251, F401 jest zgodny z zasadniczymi wymaganiami i innymi stosownymi postanowieniami dyrektywy w sprawie urządzeń radiowych 2014/53/UE, oraz dyrektywy RoHS 2011/65/UE i zmiana Dyrektywa delegowana Komisji (UE) 2015/863.

Deklarację zgodności można zobaczyć pod następującym adresem: <http://eu-en.segway.com/support-instructions>

Bluetooth	Pasma częstotliwości	2.4000-2.4835 GHz
	Moc emisji RF	20 mW

## 4 Znak towarowy

Ninebot jest znakami towarowymi firmy Ninebot (Beijing) Tech Co. Ltd.; Powered by Segway, Segway oraz Rider Design są znakami towarowymi firmy Segway Inc.; Bluetooth jest zastrzeżonym znakiem towarowym firmy BLUETOOTH SIG, INC.; Android, Google Play są znakami towarowymi firmy Google Inc.; App Store, to znak usługowy Apple Inc. Właściciele zastrzegają sobie prawa do znaków handlowych, o których mowa w niniejszej instrukcji obsługi.

Hulajnoga jest objęta odpowiednimi patentami. Informacje dotyczące patentów można znaleźć na stronie <http://www.segway.com>.

Podjęliśmy próbę dołączenia opisów i instrukcji, dotyczących wszystkich funkcji hulajnogi w momencie drukowania. Jednak dzięki ciągłemu ulepszaniu produktu i zmianach w projekcie, zakupiony przedmiot może nieznacznie różnić się od wersji pokazanej w tym dokumencie. Aby pobrać i zainstalować aplikację, prosimy odwiedzić Apple App Store (iOS) lub Google Play (Android).

Należy pamiętać, że istnieje wiele modeli pojazdów Segway i Ninebot by Segway z różnymi funkcjami także niektóre z wymienionych w tej instrukcji funkcji mogą nie mieć zastosowania w danym urządzeniu. Producent zastrzega sobie prawo do zmiany konstrukcji i funkcjonalności wyrobu oraz jego dokumentacji, bez wcześniejszego powiadomienia.

© 2022 Ninebot (Beijing) Tech Co. Ltd. Wszelkie prawa zastrzeżone.

(※Aplikacja KickScooter działa na Bluetooth)

## 5 Zalecany harmonogram konserwacji

Aby zapewnić bezpieczną jazdę, niezbędna jest codzienna pielęgnacja i regularna konserwacja. Ty, właściciel, masz kontrolę i wiedzę o tym, jak często korzystasz ze skutera, jak często go używasz i gdzie go używasz. obowiązek przeprowadzania regularnych kontroli i dostarczania skutera do autoryzowanego centrum serwisowego w celu przeprowadzenia kontroli i serwisu. Dla własnego bezpieczeństwa i lepszych wrażeń z jazdy należy przeprowadzać regularną konserwację KickScootera. Zapoznaj się z poniższym harmonogramem konserwacji.

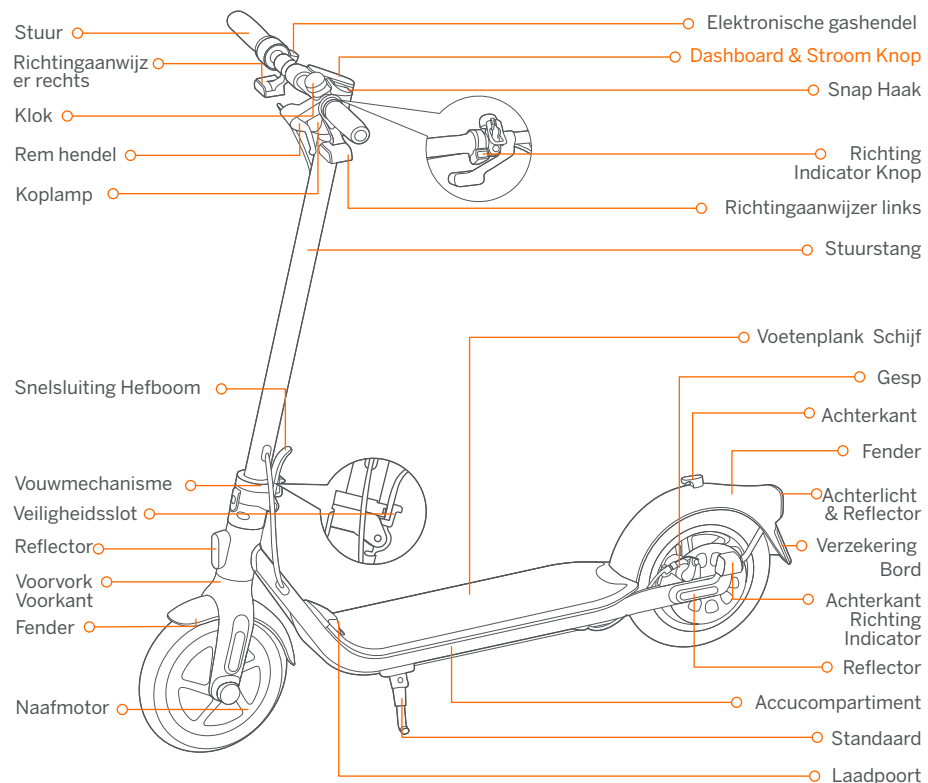
Uwaga: ten harmonogram konserwacji nalicza opłatę serwisową.

Przedmiot	komponent	Metoda konserwacji	Każde 3 miesiące	Co 6 miesięcy lub co 310 mil (500 km)	Po 2 latach lub całkowitym przebiegu > 3107 mil (5000 km)
Konserwacja komputerów mainframe	Części mainframe	Użyj miękkiej, wilgotnej szmatki, aby wytrzeć ramę główną do czysta.	√	√	√
	Ciśnienie w oponach	F251: Napompuj opony do 40-45 psi. F401: Napompuj opony do 50-55 psi. Uwaga: Pamiętaj, aby po napompowaniu zakręcić nakrętkę zaworu!	√	√	√
	Zużycie opony	Sprawdź, czy opony nie są popękane, zdeformowane lub znacznie zużyte.		√	√
	Śruby na górze trzpienia	Dokręć sześć śrub przymocowanych do kierownicy i mostka. Sugerowany moment obrotowy to 5,5±0,5 Nm.  Dokręć śrubę przepustnicy. Sugerowany moment obrotowy to 3,5±0,1 Nm. Dokręć śruby na dźwigniach hamulców. Sugerowany moment obrotowy to 5,5±0,1 Nm. Dokręć śruby na szczytcie mostka. Sugerowany moment obrotowy to 10±0,5 Nm.	√	√	√
			√	√	√
			√	√	√
	Śruby na mechanizmie składania	Dokręć dwie śruby przymocowane do przedniego widelca i mechanizmu składania. Sugerowany moment obrotowy to 15±1 N·m. Jeśli wspornik drży podczas jazdy, dokręć śruby mechanizmu składania, gdy hulajnoga jest złożona. Sugerowany moment obrotowy to 12,5 N·m.		√	√
	Montaż tarczy hamulcowej	Dokręć śruby zespołu tarczy hamulcowej. Sugerowany moment dokręcania to 7,7±0,2 Nm.		√	√

Przedmiot	komponent	Metoda konserwacji	Każde 3 miesiące	Co 6 miesięcy lub co 310 mil (500 km)	Po 2 latach lub całkowitym przebiegu > 3107 mil (5000 km)
Kontrola funkcji	Silnik piasty	Aby przyspieszyć i zwolnić, sprawdź, czy silnik piasty nie utknął lub nie wydaje nienormalnych dźwięków.		√	√
	Konserwacja tylnego koła	Sprawdź, czy tylne koło nie blokuje się, nie drzy lub czy wałek osi jest niewyważony.		√	√
	Regulacja hamulca	Jeżeli hamulec jest zbyt mocno / luźny, należy odkręcić śrubę na zacisku za pomocą klucza imbusowego 4 mm. Następnie ostrożnie wyregulować przewód hamulcowy (zmniejsz / zwiększ długość ekspozycji) i ponownie dokręcić śrubę.		√	√
	Tarcza hamulcowa	Zakręć kołami, zacisk powinien być wyrównany z tarczą i nie powinien ocierać o klocki hamulcowe.		√	√
	Światła tylne	Ścisnij dźwignie hamulca, tylne światła działają normalnie.		√	√
	Kierunkowskazy	Przełącz przycisk kierunkowskazów odpowiednio w lewo/prawo, sprawdź, czy kierunkowskazy po lewej/prawej stronie migają normalnie.		√	√
	Brzęczyk	Włącz/wyłącz skuter, dźwięk brzęczyka jest normalny.		√	√
	światło głowy	Sprawdź reflektor i zobacz, czy świeci jasno.		√	√
	Deska rozdzielcza	Włącz skuter, deska rozdzielcza działa prawidłowo.		√	√
	dzwonek	Zadzwoni, dźwięk jest głośny.		√	√
	Przepustnica	Naciśnij i przytrzymaj przepustnicę, a następnie zwolnij ją, sprawdzając przyspieszenie i opóźnienie. Uwaga: Puść go, sprawdź, czy przepustnica wróci do pozycji.		√	√
	wykrywanie aplikacji	Po połączeniu z aplikacją Segway-Ninebot: 1) Zaktualizuj oprogramowanie do najnowszej wersji. 2) Sprawdź, czy powiadomienie o odpowiednim kodzie błędu i możliwych przyczynach pojawi się, gdy hulajnoga wykryje błąd.		√	√

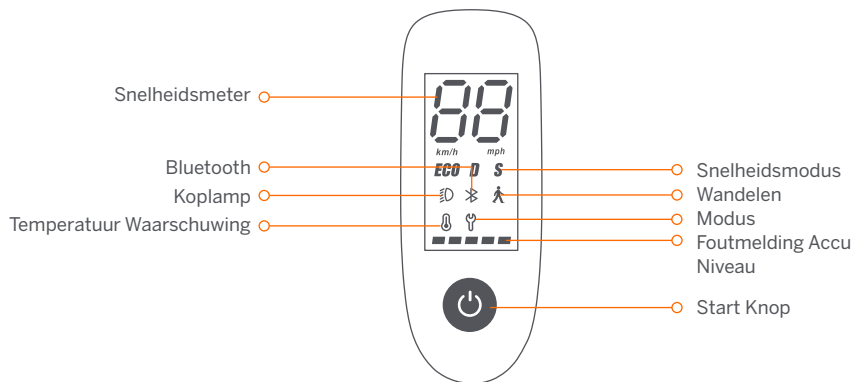
Przedmiot	komponent	Metoda konserwacji	Każde 3 miesiące	Co 6 miesięcy lub co 310 mil (500 km)	Po 2 latach lub całkowitym przebiegu > 3107 mil (5000 km)
Kontrola funkcji	Ładowanie	Ładowanie skutera: 1) Sprawdź, czy na desce rozdzielczej wyświetla się aktualna moc baterii. 2) Sprawdź wskaźnik LED na ładowarce. Ładowanie: czerwony. W pełni naładowany: zielony.		√	√
	przełącznik sterowania	Naciśnij lub przełącz przycisk 3 razy bez awarii.		√	√
	Obrócenie	Test z skrętami w lewo i w prawo (kąt skrętu wynosi 60). Brak oporu i opóźnień podczas skręcania.		√	√
Ważne części	Zespół baterii	Akumulator należy wymienić, gdy jest ładowany i rozładowywany 500 razy lub gdy całkowity przebieg przekracza 6213 mil (10000 km). Uwaga: W przypadku długoterminowego przechowywania zaleca się ładowanie raz na 60 dni.			
	Kontroler Silnik piasty				
Części funkcjonalne	Montaż tylnego koła	Wymagane jest, aby do napraw i wymiany używano oryginalnych części Segway-Ninebot.			√
	Dźwignie przepustnicy i hamulca				
	Montaż przedniego widelca				
	Mechanizm składania				
	Wirnik				
	Zespół hamulca tarczowego				
	Deska rozdzielcza				

## 1 Diagram





## Dashboard & Stroom Knop



**Stroom Knop:** druk op de knop tot draai Aan; druk op en uitstel de knop voor 3 seconden tot draai uit. Wanneer de KickScooter is Aan, druk op de knop tot draai aan uit de koplamp en de achterkant licht, en druk op tweemaal tot schakelaar tussen de snelheid modi.

**Snelheidsmeter:** Het toont de huidige snelheid van de scooter, net zo goed net zo fout codes.

**Loopmodus:** Max. snelheid is 5 km/u (3.1 km/u).

**F25I / F40I:** De koplamp en achterkant licht houden knipperend en kan niet zijn draaide zich om uit.

Hoe in staat te stellen in de Segway-Ninebot app: tik op de zijbalkmenu > **Instellingen > Walk Modus.**

**Snelheid Modus:** Daar zijn drie modi beschikbaar. De bovenkant snelheid is net zo volgt:

Modus	Model	F25I	F40I
<b>ECO</b> (Energiebesparend modus)		15 km/u	15 km/u
<b>D</b> (Standaard modus)		20 km/u	20 km/u
<b>S</b> (Sport modus)		25 km/u	25 km/u

**Fout Kennisgeving:** Het duidt op Dat de scooter heeft gedetecteerd een fout.

**Temperatuur Waarschuwing:** het is duidt op Dat de accu temperatuur- heeft bereikt 55°C (131°F) of is onderstaand 0°C (32°F).

\* Op dit punt kan het voertuig niet normaal accelereren en wordt mogelijk niet opgeladen. Niet gebruiken totdat de temperatuur is teruggekeerd naar de normaal bereik.

**Bluetooth:** Het duidt op Dat de scooter heeft geweest met succes verbonden tot de mobiel apparaat.

**Accu Niveau:** De totaal accu niveau gelijk aan 5 bars.

De batterij macht is heel laag wanneer de eerste batterij bar is rood. Alstublieft laad je op KickScooter onmiddellijk.

## 2 Specificaties:

	Item	Parameter
<b>Product</b>	Naam	Ninebot KickScooter
	Model	F25I
	Lengte × Breedte × Hoogte	Ong. 1143 × 480 × 1160 mm (45 × 18.9 × 45.7 in)
	Opgevouwen: Lengte × Breedte × Hoogte	Ong. 1143 × 480 × 495 mm (45 × 18.9 × 19.5 in)
	Netto Gewicht	Ong. 15.3 kg (33.7 lbs)
<b>Steprijder</b>	Belasting	40–100 kg (88–220 lbs)
	Aanbevolen leeftijd	14–60 years
	Vereiste lengte	120–200 cm (3'11"–6'6")
<b>Apparaat</b>	Max. Snelheid	Ong. 25 km/h (15.5 mph)
	Typische actieradius <sup>[1]</sup>	Ong. 25 km (15.5 mijl)
	Max. helling	Ong. 10%
	Geschikt terrein	Fietspaden, parken, campussen, en de meeste vlakke wegdekken en typische Belgische wegen
	Bedrijfstemperatuur	-10–40°C (14–104°F)
	Opslagtemperatuur	-10–50°C (14–122°F)
	IP waarde	IPX5
	Duur opladen (enkel)	Ong. 5 h
	Nominale spanning	36 V ===
	Max. oplaadspanning	42 V ===
<b>Accu</b>	Opladen omgevingstemperatuur	0–40°C (32–104°F)
	Nominale capaciteit	7650 mAh
	Nominale energie	275 Wh
	Accu beheersysteem	Bescherming voor oververhitting, kortsluiting, overstroom, te diepe ontlading en overlading
	<b>Motor</b>	Nominaal vermogen
<b>Oplader</b>	Afgegeven vermogen	0.07 kW, 70 W
	Ingangsspanning	100–240 V~
	Max. uitgangsspanning	42 V ===
	Nominaal uitgangsvermogen	41 V ===, 1.7 A
<b>Overig</b>	Rem licht	LED-achterlicht
	Snelheidsstanden	Energiebesparend modus, Standaard modus, Sport modus
<b>Band</b>	Bandenspanning	40–45 psi
	Type	10-inch pneumatic tire

[1] Typische actieradius: getest rijdend met volle accu, 75 kg (165 lbs) belasting, 25°C (77°F), op een gemiddelde snelheid van 16 km/u (9.9 mph) op bestrating.

\* Sommige van de factoren die van invloed zijn op bereik omvat snelheid, aantal starts en stopt, ambient temperatuur, enz.

	Item	Parameter
Product	Naam	Ninebot KickScooter
	Model	F40I
	Lengte x Breedte x Hoogte	Ong. 1143 × 480 × 1160 mm (45 × 18.9 × 45.7 in)
	Opgevouwen: Lengte × Breedte × Hoogte	Ong. 1143 × 480 × 495 mm (45 × 18.9 × 19.5 in)
	Netto Gewicht	Ong. 17.1 kg (37.7 lbs)
Steprider	Belasting	40–120 kg (88–265 lbs)
	Aanbevolen leeftijd	14–60 years
	Vereiste lengte	120–200 cm (3'11"–6'6")
Apparaat	Max. Snelheid	Ong. 25 km/h (15.5 mph)
	Typische actieradius <sup>[1]</sup>	Ong. 40 km (24.9 mijl)
	Max. Helling	Ong. 20%
	Geschikt terrein	Fietspaden, parken, campussen, en de meeste vlakke wegdekken en typische Belgische wegen
	Operating Temperature	-10–40°C (14–104°F)
	Storage Temperature	-10–50°C (14–122°F)
	IP Waarde	IPX5
	Duur opladen (enkel)	Ong. 6.5 h
Accu	Nominale spanning	36 V $\equiv$
	Max. oplaadspanning	42 V $\equiv$
	Opladen omgevingstemperatuur	0–40°C (32–104°F)
	Nominale capaciteit	10.2 Ah
	Nominale energie	367 Wh
	Accu-beheersysteem	Bescherming voor oververhitting, kortsluiting, overstroom, te diepe ontlading en overlading
Motor	Nominaal vermogen	0.35 kW, 350 W
Oplader	Afgegeven vermogen	0.07 kW, 70 W
	Ingangsspanning	100–240 V~
	Max. Output Voltage	42 V $\equiv$
	Rated Output	41 V $\equiv$ , 1.7 A
Overig	Rem licht	LED-achterlicht
	Snelheidsstanden	Energiebesparend modus, Standaard modus, Sport modus
Band	Bandenspanning	50–55 psi
	Type	10-inch tubeless tire

[1] Typische actieradius: getest rijdend met volle accu, 75 kg (165 lbs) belasting, 25°C (77°F), op een gemiddelde snelheid van 16 km/u (9.9 mph) op bestrating.

\* Sommige van de factoren die van invloed zijn op bereik omvat snelheid, aantal starts en stopt, ambient temperatuur, enz.

### 3 Certificeringen

#### EU-conformiteitsverklaring

Informatie over verwijderen voor gebruikers van afgedankte elektrische en elektronische apparaten



Dit symbool op het product of op de verpakking betekent dat gebruikte elektrische en elektronische producten niet bij het ongescheiden gemeentelijk afval horen. Voor de juiste behandeling is het uw verantwoordelijkheid om uw afgedankte apparaten te verwijderen door deze in te leveren bij de daarvoor bedoelde inzamelpunten.

Het correct verwijderen van dit product helpt met het terugwinnen van waardevolle stoffen en voorkomt mogelijke negatieve effecten voor de menselijke gezondheid en het milieu, die zouden kunnen voortkomen uit het incorrect omgaan met afval.

Er kunnen boetes worden gegeven voor het niet correct verwijderen van dit afval, in overeenstemming met uw nationale wetgeving.

Neem contact op met uw lokale overheid voor verdere details over het dichtstbijzijnde inzamelpunt.

#### Accu-recyclinginformatie voor de Europese Unie



Dit symbool betekent dat accu's en accumulatoren aan het einde van hun levensduur niet bij het ongescheiden gemeentelijk afval horen. Uw medewerking is een belangrijk onderdeel van de inspanningen om de gevolgen van accu's en accumulatoren op het milieu en de volksgezondheid te beperken. Voor correcte recycling kunt u dit product of de accu's of accumulatoren die erin zitten inleveren bij uw leverancier of het daarvoor bedoelde inzamelpunt.

Het correct verwijderen van dit product helpt met het terugwinnen van waardevolle stoffen en voorkomt mogelijke negatieve effecten voor de menselijke gezondheid en het milieu, die zouden kunnen voortkomen uit het incorrect omgaan met afval.

Er kunnen boetes worden gegeven voor het niet correct verwijderen van dit afval, volgens uw nationale wetgeving. Er worden verschillende inzamelingssystemen gebruikt voor accu's en accumulatoren.

Verwijder accu's en accumulatoren correct bij uw lokale afvalinzamelings-/recyclingcentrum.

#### Richtlijn radioapparatuur

Ninebot (Changzhou) Tech Co., Ltd. verklaart hierbij dat het product dat staat vermeld in deze sectie voldoet aan de essentiële eisen en overige relevante bepalingen van de Richtlijn radioapparatuur 2014/53/EU.

#### Richtlijn betreffende beperking van het gebruik van bepaalde gevaarlijke stoffen

Ninebot (Changzhou) Tech Co., Ltd. verklaart hierbij dat het gehele product, inclusief onderdelen (kabels, snoeren en dergelijke) voldoen aan de eisen van de Richtlijn Gebruik bepaalde gevaarlijke stoffen 2011/65/EU en het amendement Gedelegeerde Richtlijn (EU) 2015/863 van de Commissie betreffende beperking van het gebruik van bepaalde gevaarlijke stoffen ("RoHS recast" of "RoHS 2.0").

#### Richtlijn betreffende machines

Ninebot (Changzhou) Tech Co., Ltd. verklaart hierbij dat het product dat staat vermeld in deze sectie voldoet aan de essentiële eisen en overige relevante bepalingen van de Richtlijn betreffende machines 2006/42/EC.



Geautoriseerde vertegenwoordiger EU:

Segway-Ninebot Europe

Dynamostraat 7, 1014 BN Amsterdam, Nederland.

Ninebot (Changzhou) Tech Co., Ltd. verklaart hierbij dat het productmodel: F251, F401 voldoet aan de essentiële eisen en overige relevante bepalingen van de Richtlijn betreffende radioapparatuur 2014/53/EU, de Richtlijn betreffende machines 2006/42/EC en de Richtlijn RoHS 2011/65/EU en de Gedelegeerde Richtlijn (EU) 2015/863 van de Commissie.

De conformiteitsverklaring kan worden ingezien op het volgende adres: <http://eu-en.segway.com/support-instructions>

#### Conformiteitsverklaring VK

##### Radio Equipment Regulations 2017

Ninebot (Changzhou) Tech Co., Ltd. verklaart hierbij dat het product dat staat vermeld in deze sectie voldoet aan de essentiële eisen en overige relevante bepalingen van de Radio Equipment Regulations 2017.

De Restriction of the Use of Certain Hazardous Substances in Electrical and Electronic Equipment Regulations 2012  
Ninebot (Changzhou) Tech Co., Ltd. verklaart hierbij dat het gehele product, inclusief onderdelen (kabels, snoeren en dergelijke) voldoen aan de eisen van de Restriction of the Use of Certain Hazardous Substances in Electrical and Electronic Equipment Regulations 2012.

##### Supply of Machinery (Safety) Regulations 2008

Ninebot (Changzhou) Tech Co., Ltd. verklaart hierbij dat het product dat staat vermeld in deze sectie voldoet aan de essentiële eisen en overige relevante bepalingen van de Safety of Supply of Machinery (Safety) Regulations 2008.

Bluetooth	Frequentieband(s)	2.4000-2.4835 GHz
	Max. RF-vermogen	20 mW

## 4 Handelsmerk

Ninebot is het gedeponeerde handelsmerk van Ninebot (Beijing) Tech Co., Ltd; Powered by Segway, Segway en het Rider Design zijn de gedeponeerde handelsmerken van Segway Inc., Bluetooth is het gedeponeerde handelsmerk van BLUETOOTH SIG, INC.; Android, Google Play zijn handelsmerken van Google Inc., App Store is een servicemerk van Apple Inc., De respectieve eigenaren behouden de rechten voor van hun handelsmerken waarnaar in deze handleiding wordt verwezen.

De KickScooter is gedekt door relevante patenten. Ga voor patentinformatie naar <http://www.segway.com>

Wij hebben geprobeerd ten tijde van de druk omschrijvingen en instructies voor alle functies van de KickScooter te vermelden. Echter, vanwege constante verbeteringen van productfuncties en ontwerpveranderingen kan uw KickScooter mogelijk licht afwijken van dat wat wordt getoond in dit document. Bezoek de Apple App Store (iOS) of de Google Play Store (Android) om de Segway-Ninebot-app te downloaden en te installeren. Houd er rekening mee dat er meerdere Segway en Ninebot modellen zijn met verschillende functies en sommige functies die hier worden genoemd zijn mogelijk niet van toepassing op uw product. De fabrikant behoudt het recht om het ontwerp en de functionaliteit van het KickScooter-product en documentatie zonder voorafgaande kennisgeving te wijzigen.

(※De Segway-Ninebot-app ondersteunt de KickScooter met ingebouwde Bluetooth)

© 2022 Ninebot (Beijing) Tech Co. Ltd. Alle rechten voorbehouden.

## 5 Aanbevolen onderhoudsschema

Voor veilig rijden zijn dagelijkse zorg voor uw apparaat en regelmatig onderhoud noodzakelijk. U als eigenaar, hebt de controle over en de kennis van hoe vaak u uw step gebruikt, hoe intensief u er gebruik van maakt en waar u ermee rijdt. Het is de verantwoordelijkheid als eigenaar om regelmatige controles uit te voeren en uw step bij een geautoriseerd servicecentrum aan te bieden voor inspecties en onderhoud. Houd het onderstaande onderhoudsschema aan.

Opmerking: dit onderhoudsschema brengt kosten in rekening.

Item	Onderdeel	Onderhoudsmethode	Elke 3 maanden	Elke 6 maanden of elke 500 kilometer (320 mijl)	Na 2 jaar of de totale kilometerstand > 5000 kilometer (3107 mijl)
Onderhoud frame	Onderdelen frame	Gebruik een zachte, vochtige doek om het frame schoon te vegen.	✓	✓	✓
	Bandendruk	F25I: Pomp de banden op tot 40–45 psi. F40I: Pomp de banden op tot 50–55 psi. Opmerking: vergeet niet de ventieldop terug te plaatsen na het oppompen!	✓	✓	✓
	Bandenslijtage	Controleer of de banden gescheurd, vervormd of aanzienlijk versleten zijn.		✓	✓
	Schroevens op bovenkant van de stuurstang	Draai de zes schroeven aan die het stuur aan de stuurstang bevestigen. Het aanbevolen aandraaimoment is 5,5±0,5 Nm.	✓	✓	✓
		Draai de schroef op de gashendel aan. Het aanbevolen aandraaimoment is 3,5±0,1 Nm.		✓	✓
		Draai de schroeven op de remhendel aan. Het aanbevolen aandraaimoment is 5,5±0,1 Nm. Draai de schroeven bovenop de stuurstang aan. Het aanbevolen aandraaimoment is 10±0,5 Nm.		✓	✓
	Schroeven op het vouwmechanisme	Draai de twee schroeven die de voorvork aan het vouwmechanisme bevestigen aan. Het aanbevolen aandraaimoment is 10 Nm. Als de stuurstang gaat wiebelen tijdens het rijden, draai de schroef op het vouwmechanisme dan aan wanneer de step is opgevouwen. Het aanbevolen aandraaimoment is 12,5 Nm.		✓	✓
Remschijfgedeelte	Draai de schroeven op de remschijfgedeelte aan. Het aanbevolen aandraaimoment is 7,7±0,2 Nm.		✓	✓	

Item	Onderdeel	Onderhoudsmethode	Elke 3 maanden	Elke 6 maanden of elke 500 kilometer (320 mijl)	Na 2 jaar of de totale kilometerstand > 5000 kilometer (3107 mijl)
Inspectie werking	Naafmotor	Voor accelereren of afremmen, controleer of de naafmotor is gestopt of abnormale geluiden produceert.		✓	✓
	Onderhoud achterwiel	Controleer of het achterwiel geblokkeerd is of wiebelt en of de as uit balans is.		✓	✓
	Rem afstellen	Als de rem te strak/los is, gebruik dan een 4 mm inbussleutel om de schroef op de klauw lost te draaien. Pas vervolgens de remlijn aan (verminder/vergroot de blootliggende lengte) en draai de schroef weer aan.		✓	✓
	Remrotor	Draai met de wielen: de remklauw moet op één lijn zitten met de rotor en deze mogen niet tegen de remvoeringen wrijven.		✓	✓
	Achterlicht	Knijp in de remhendel en controleer of het achterlicht normaal functioneert.		✓	✓
	Koplamp	Controleer de koplamp en of deze helder brandt.		✓	✓
	Richtingaanwijzer	Draai de richtingaanwijzerknop respectievelijk naar links/rechts, controleer of de richtingaanwijzers aan de linker-/rechterkant normaal knipperen.		✓	✓
	Hoorn	Zet de scooter aan/uit, het zoemergeluid is normaal.		✓	✓
	Dashboard	Schakel de step in en controleer of het dashboard normaal functioneert. Schakel tussen de snelheidsmodi, het dashboard geeft het bijbehorende pictogram voor de snelheidsmodus weer.		✓	✓
	Bel	Bel aan, het geluid is hard.		✓	✓
	Gashendel	Druk de gashendel in en laat deze vervolgens los, controleer de acceleratie en het afremmen. Opmerking: laat los, controleer of de gashendel terugveert.		✓	✓
	Foutdetectie	Na verbinden met de Segway-Ninebot-app: 1) Update de firmware naar de nieuwste versie. 2) Controleer of de melding van de bijbehorende foutcode en mogelijke oorzaken zullen aangeven wanneer de scooter een fout detecteert.		✓	✓

Item	Onderdeel	Onderhoudsmethode	Elke 3 maanden	Elke 6 maanden of elke 500 kilometer (320 mijl)	Na 2 jaar of de totale kilometerstand > 5000 kilometer (3107 mijl)
Inspectie werking	Opladen	De step opladen: 1) Controleer of de huidige accustatus wordt weergegeven op het dashboard. 2) Controleer de LED-indicator op de batterijlader. Opladen: rood, Volledig opgeladen: groen.		√	√
	Bedieningsknoppen	Druk of wissel de knop 3 keer zonder te falen.		√	√
	Sturen	Test met links en rechts sturen (de stuurhoek is 60). Geen weerstand of vertraging bij het sturen.		√	√
Belangrijke onderdelen	Accugedeelte	De accu dient vervangen te worden wanneer deze 500 keer is opgeladen en ontladen of wanneer de totale kilometerstand meer dan 10.000 km (6213 mijl) is. Opmerking: in geval van langdurige opslag is het aanbevolen om eens per 60 dagen de accu op te laden.			√
	Besturing				
	Naafmotor				
Functionele onderdelen	Voorwiel-gedeelte	Alleen originele Segway-Ninebot-onderdelen mogen gebruikt worden voor reparatie en vervanging.			
	Gas- en remhendel				
	Voorvorkgedeelte				
	Vouwmechanisme				
	Remrotor				
	Remschijfgedeelte				
	Dashboard				