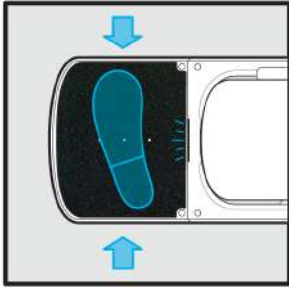


OWNER'S MANUAL

ONEWHEEL



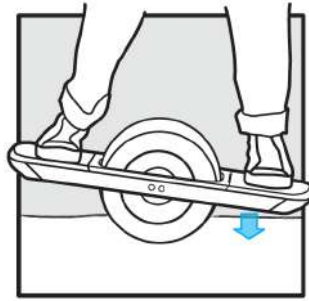
**pint
pint X**



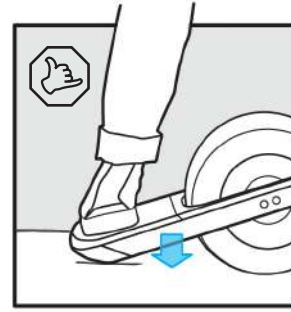
- Switch on Onewheel Pint using the power switch on the side.
- Step firmly on both sides of the three dots that run down the centerline of the front footpad.



- Always wear a helmet and other protective gear.
- Lean on a friend to get started.
- Slowly come up to balance.
- Pint will engage when you reach a horizontal orientation.



- Lean forward to accelerate.
- Lean back to slow down.
- Lean side to side to turn.



Simplestop™ Method.

- **To dismount, slow down to a stop.** Once stopped and level, slowly lean back. The board will disengage and you can lower the tail to the ground.
- You can also jump off with both feet, but **never remove only one foot.**

WELCOME TO THE REVOLUTION

Now that you're a proud owner of your very own Onewheel Pint we want to keep you safe while you experience a whole new way of riding. We've created this owner's manual to share important safety, performance and service information with you. Please read it before you take your first ride and keep it for reference.

Getting there is more than half the fun!

IN THIS MANUAL PINT REFERS TO BOTH PINT AND PINT X, UNLESS OTHERWISE NOTED.

 **WARNING**

Read this manual and all other materials carefully,
and follow the riding procedures described.

Always heed push back, and lean back to slow down [pgs. 38-43].

Never lean forward into push back [pgs. 38-43].

Always ride Onewheel Pint at a speed and in a manner appropriate
for the conditions and your ability.

 **WARNING**

RISK OF DEATH OR SERIOUS INJURY

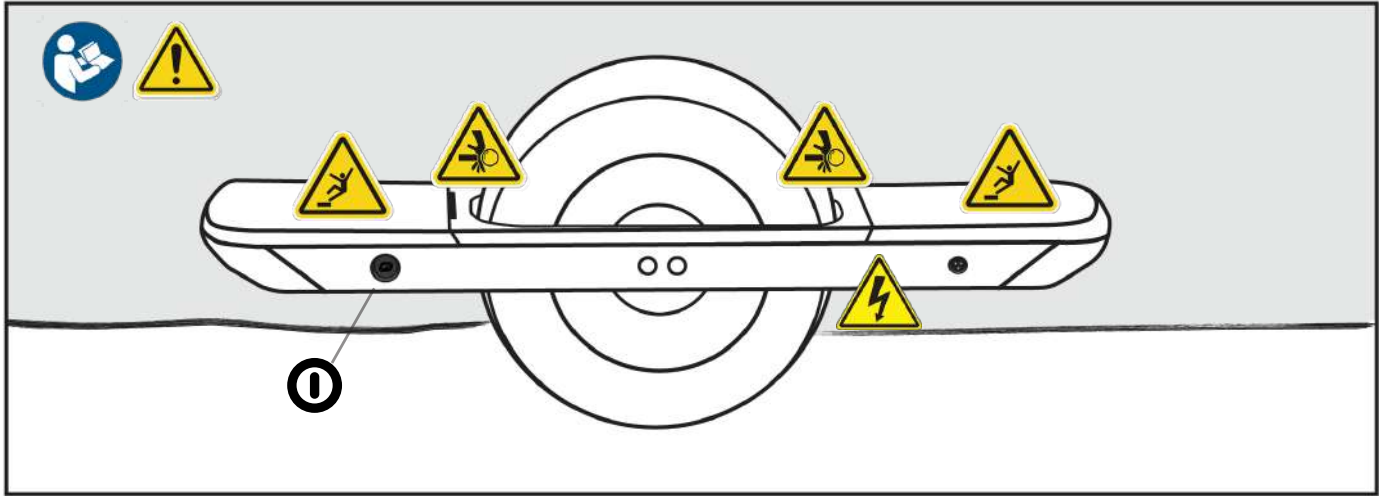
Whenever you ride a Onewheel, you risk death or serious injury from loss of control, collisions and falls. To ride safely, you must read and follow all instructions and warnings in the Owner's Manual.



REGISTER YOUR ONEWHEEL PINT

We can't guarantee a warranty claim
unless your board is registered.

Please visit onewheel.com/pages/register



GENERAL WARNINGS

Like any sport, Onewheeling involves risk of injury. By choosing to ride a Onewheel, you assume the responsibility for that risk. It's important that you understand and practice the rules of safe and responsible riding and proper use and maintenance to reduce the risk of injury. This manual contains many **“WARNINGS”** and **“CAUTIONS”** concerning the consequences of failing to follow safe riding practices and properly maintaining and inspecting your Onewheel.

The word **⚠ WARNING** indicates a potentially hazardous situation that, if not avoided, could result in serious injury or death.

The word **⚠ CAUTION** indicates a potentially hazardous situation or unsafe practice that, if not avoided, could result in minor or moderate injury, serious damage to your Onewheel and the voiding of your warranty.

The word **✓ TIPS** indicates information to help you get the most out of your Onewheel experience.

ATTENTION

Maximum rider weight: 250 lb / 114 kg

Do not allow children under the age of 14
to use this product

Adult supervision is required

SPECIAL NOTE TO PARENTS AND GUARDIANS

As a parent or guardian, you are responsible for the activities and safety of your minor or child (while he or she is operating a Onewheel). Please ensure that their Onewheel is in good repair and safe operating condition and that your child understands its proper use. It is also important that both you and your child learn, understand, and obey all applicable local motor vehicle and traffic laws. Always make sure your child is wearing proper protective equipment, including a helmet and other protective gear. **ONEWHEEL IS NOT RECOMMENDED FOR CHILDREN UNDER THE AGE OF 14. FOR CHILDREN 14 YEARS OF AGE AND OLDER, ADULT SUPERVISION IS REQUIRED.**

DOWNLOAD THE ONEWHEEL APP

Sync to your board from the Onewheel app to customize your riding experience with Digital Shaping™. The Onewheel app also allows you to check your battery status for epic adventures, toggle your LED lights for night cruising and track riding data.

✓ **TIP:** Search “Onewheel” on Google Play or Apple App Store.



ONEWHEEL PINT OWNER'S MANUAL



HOME SCREEN

Your dashboard. Select your shaping, monitor your board and see live stats.



RIDES SCREEN

See posted rides from all over the world on phone or browser.



RIDE SCREEN DETAILS

Find the ride details of all posted rides.



LEADERBOARD

See top stats and mileage from the Onewheel community.



ACADEMY

Riding instructions for beginners through advanced riders.

DIGITAL SHAPING 2.0

Sync to your board from the Onewheel app to customize your riding experience. Digital Shaping 2.0 provides the pinnacle of performance, comfort and control. Inspired by surfboard shapers creating different boards for different rides, Digital Shaping 2.0 offers a complete quiver of Shapings selectable from your smartphone.

DIGITAL SHAPING
2.0

ONEWHEEL PINT OWNER'S MANUAL

Select your
ride mode/shaping



Open
shaping
descriptions

PINT SHAPINGS / RIDE MODES

REDWOOD
MAX SPEED 12 MPH
Even the tallest tree starts as a sapling. Step into Redwood and get comfy, it's mellow profile and slower top speed make it an easy-going choice.

PACIFIC
MAX SPEED 18 MPH
Pacific is designed for flow in every situation. Loose and buttery, Pacific combines high levels of carveability with the smooth power you need.

ELEVATED
MAX SPEED 18 MPH
Elevate the nose for maximum hill climbing and park riding.

SKYLINE
MAX SPEED 18 MPH
Go full Pocket Rocket with Skyline. Responsive and punchy, Skyline offers the ultimate experience for maximum sendability.

Playful Aggressive
Town Trail

DIGITAL SHAPING
-20-

MY BOARD RIDES LEADERBOARD SHOP SETTINGS



NO REMOTE REQUIRED

Lean forward to go, back to slow down, it's that easy.



SIMPLESTOP

Onewheel Pint's new Simplestop™ technology makes riding Onewheel even easier. Slow to a stop then lean back and the Onewheel Pint sets you down gently.



LIGHTBAR

Onewheel Pint features Lightbar integrated into the front footpad for sensor pad indication, battery monitoring, and in-ride alerts.



MAGHANDLE

Onewheel Pint has a built in Maghandle™ making it easy to carry and it magnetically snaps in flush with the wheel when not in use.



HYPERCORE™ BRUSHLESS MOTOR

Incredibly smooth power and torque to climb over anything and powerful regenerative braking on the way down. 18 mph/29 kph top speed*.



NMC BATTERY

Safe, powerful and quick to charge.



INTUITIVE LIGHTING

Bright LED headlights and taillights automatically reverse when you switch direction.



DIGITAL SHAPING 2.0

Smoother? More aggressive? Select different ride modes from your smartphone with Digital Shaping 2.0 in the Onewheel App.

pint

RANGE

6-8mi

10-13km

SPEED

16mph

26kph



pint x

RANGE

12-18mi

19-29km

SPEED

18mph

29kph





TABLE OF CONTENTS

00

WELCOME

WELCOME TO THE REVOLUTION	03
SAFETY OVERVIEW	04
REGISTER YOUR ONEWHEEL PINT	07
GENERAL WARNING	08
SPECIAL NOTE TO GUARDIANS	11
ONEWHEEL APP	12
01 PUT SAFETY FIRST	20

02 RIDING YOUR ONEWHEEL PINT	22	04 GETTING TO KNOW YOUR ONEWHEEL PINT	52
Basic balance	24	Main power pushbutton switch	53
Regenerative braking	26	Lightbar	54
Understanding the footpad	26	Decoding your Pint	60
Direction and speed	27		
Turning	27	05 MORE WAYS TO RIDE SAFELY	62
Range	28	General Board Care	70
Ways to dismount	30	Onewheel Pint specifications	72
Push back	38	Pint Charger specifications	72
		Onewheel Pint X specifications	72
03 MAINTAINING ONEWHEEL PINT	46	Warranty	74
Bumpers	47	Declarations of Conformity	78
Footpads	47	Contact	80
Tire	48		
Battery	49		
Battery charger/How to charge your battery	50		



PUT
SAFETY
FIRST

01

RIDE SAFELY

Whether you're a pro or brand new to riding, it's always important to ride safely. Here are a few tips to ensure that you and your OneWheel Pint stay in one piece.

HELMET

Always wear an ASTM F1492-08, CPSC and/or CE EN1078 certified helmet when riding your OneWheel Pint. Be sure to attach the chin strap and follow the helmet manufacturer's instructions for fit, use and general care.


OTHER SAFETY EQUIPMENT

It's a good idea to wear wrist guards, elbow pads and kneepads for extra protection.

SHOES

Always wear shoes that will stay on your feet and grip the board. Never ride barefoot or in flip-flops.

**SEE SECTION 05 "MORE WAYS TO RIDE SAFELY"
FOR MORE SAFETY INFORMATION.**

 **WARNING:** Many local governments legislate “road worthy” laws and require specific safety equipment. It is your responsibility to familiarize and comply with all applicable laws of the location where you ride your Onewheel. This includes properly equipping yourself and your Onewheel as required by law.

RIDING
YOUR
ONEWHEEL
PINT

02



AN INCREDIBLE RIDE

Quite simply the most beautiful riding experience on the planet. Onewheel Pint is the perfect mid-town ripper, sidewalk slasher, grocery getter or trail explorer. So easy grandpa can do it, so fun the pros can't get enough of it.

Pint is designed to be intuitive. Anyone can learn the basics in just a few minutes. Once you start riding regularly, there's plenty of room to challenge yourself.

BEFORE YOU GET ON YOUR PINT

- Always do a safety check before each ride.
- Read all safety instructions.
- Wear a helmet and other protective gear.
- Choose a safe, controlled and calm environment away from cars, crowds, obstacles and other potential hazards.

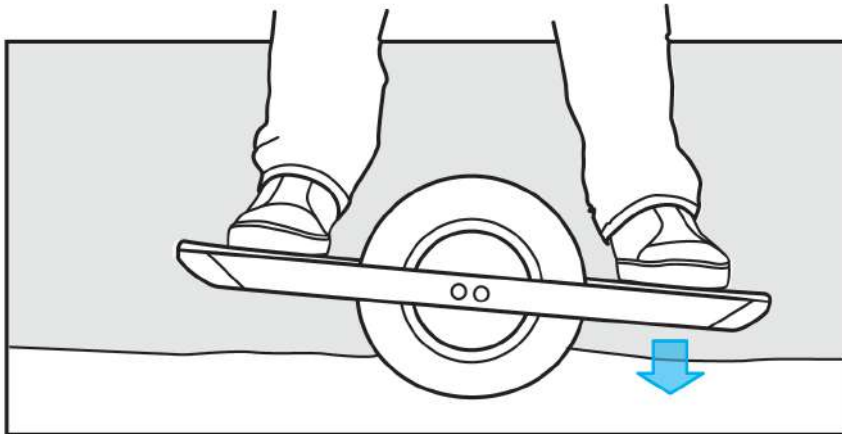
BASIC BALANCE

Remember, Onewheel Pint is self-balancing so there's no need to muscle your way onto the board. Instead, use slow, small movements.

When Onewheel Pint is on the ground, you'll notice a lower side and a higher side. Always step onto the lower side first. Then place your other foot onto the rider-detection area. Keep your legs straight (like you are standing on the ground) with a very slight bend in your knees.

Stand up slowly and the Onewheel Pint will engage.

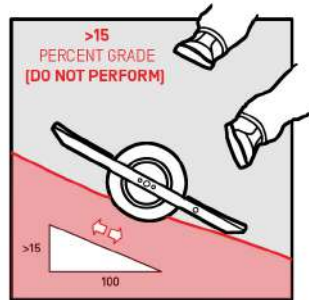
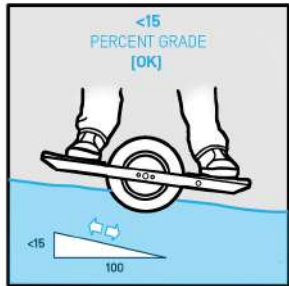
- ✓ **TIP:** Have a friend's shoulders handy to help you the first few times you get on your Onewheel Pint. After practicing a few times, we promise you'll be a pro.
- ✓ **TIP:** Look where you want to go (don't look down).
- ✓ **TIP:** Use light, constant pressure to control your Onewheel.
- ✓ **TIP:** Don't bend your knees, stand tall on your first rides.



REGENERATIVE BRAKING

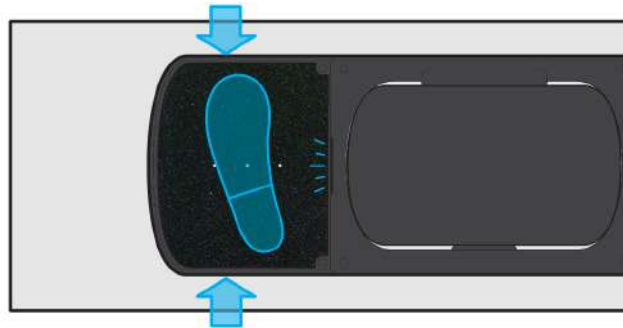
Decelerating while going downhill recharges the Onewheel Pint battery.

⚠ WARNING: Riding hills exceeding a 15% grade is extremely dangerous and may result in loss of control or damage to your Onewheel Pint.



UNDERSTANDING THE FOOTPAD

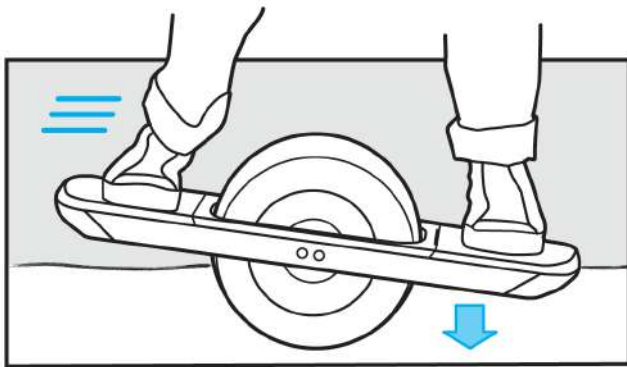
The front footpad is pressure sensitive and divided into two zones, one on each side of the centerline dots. Both zones must be pressed to begin riding. The Lightbar turns blue as visual indication of the sense pad areas you are engaging.



✓ **TIP:** Avoid repositioning your foot while riding.

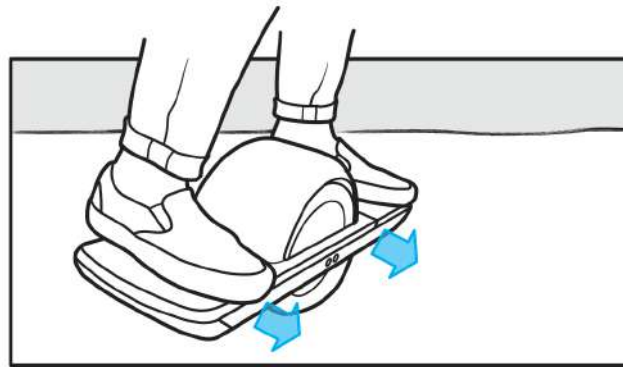
DIRECTION AND SPEED

Lean forward to move forward, and lean back to slow down or to move backwards. The more you lean, the faster you'll go.



TURNING

Use subtle heel-toe pressure for turning left or right. You will begin to turn in the direction you lean. The more you lean, the sharper the turn.



RANGE

Range varies based on an assortment of factors including rider weight and riding style, terrain, inclines and declines and tire pressure. For optimal range, we recommend the following tips:

- ✓ **TIP:** Fully charge your Onewheel Pint.
- ✓ **TIP:** Ensure the tire pressure is at 20psi.*

*Tire pressure makes a significant difference to Onewheel range, top speed and ride quality. Even a few PSI change can alter the ride.

ONEWHEEL PINT OWNER'S MANUAL



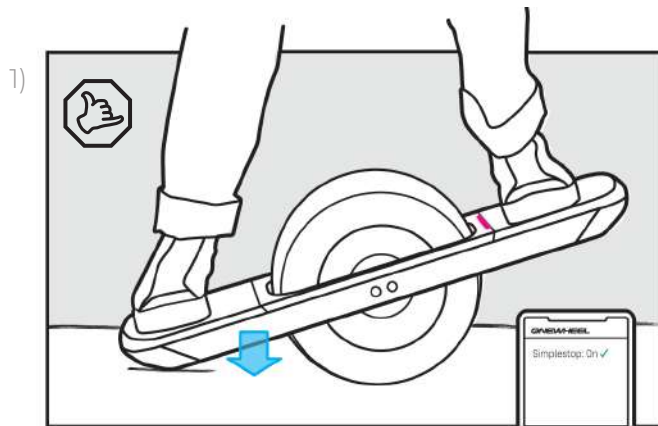


WAYS TO DISMOUNT

There are a few ways to dismount Onewheel Pint which can be toggled in the Onewheel app. The new Simplestop™ method is the default setting and the easiest way to dismount. If you are new to riding begin with Simplestop™

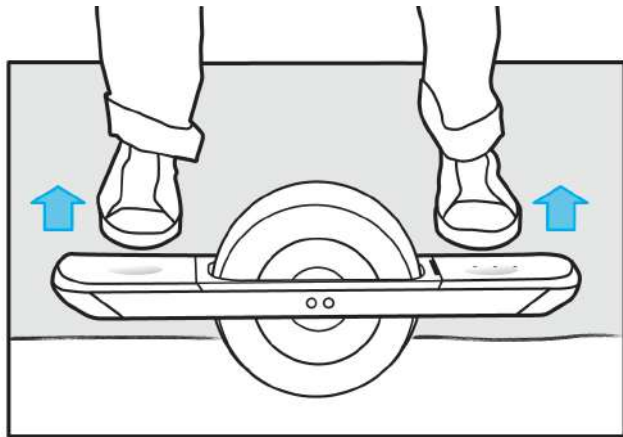
✓ **TIP:** Both rider-detection areas must be pressed to start riding. If you slow down and remove your foot from only one area, the Pint will disengage.

⚠ **WARNING:** Never step off with your back foot first [the foot not on the rider-detection area]. This increases risk of a fall and possible injury.



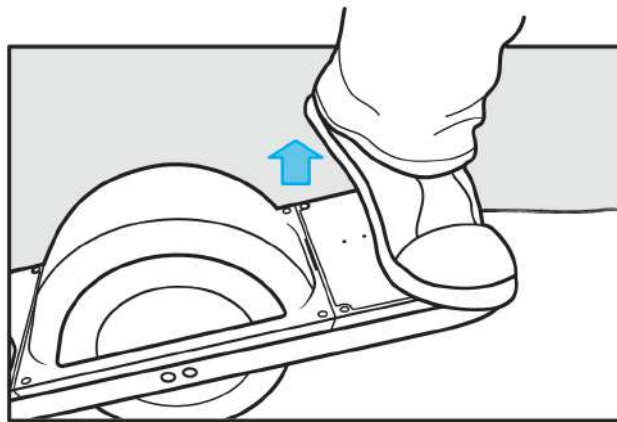
Simplestop™ - The easiest way to stop. If you are new to riding start here. **pg. 32**

2)



The Jump off - Another way to get off. It is not the most elegant dismount but it works. **pg. 34**

3)

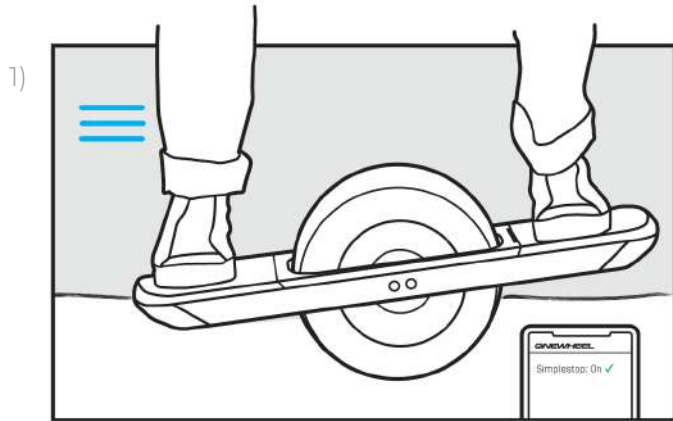


Heel Up Dismount - A more advanced way to dismount. Dismount like a pro once you feel like you are ready. **pg. 36**

SIMPLESTOP™ (OPTIONAL)

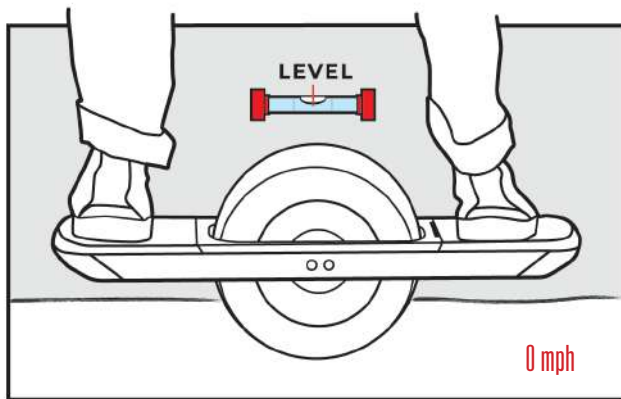
With Simplestop™ turned on, slow down to a stop by leaning backward to decelerate. Once stopped, slowly lean back, the board will travel a few inches backwards then the tail of the board will gently lower to the ground.

- ⚠ **CAUTION:** To use Simplestop™, it must be turned on in the Onewheel App on your smartphone.
- ⚠ **WARNING:** Never step off with your back foot first (the foot not on the rider-detection area). This increases risk of a fall and possible injury.
- ✓ **TIP:** To Simplestop™ smoothly shift back with your hips and knees while keeping your chest over the center of the tire.



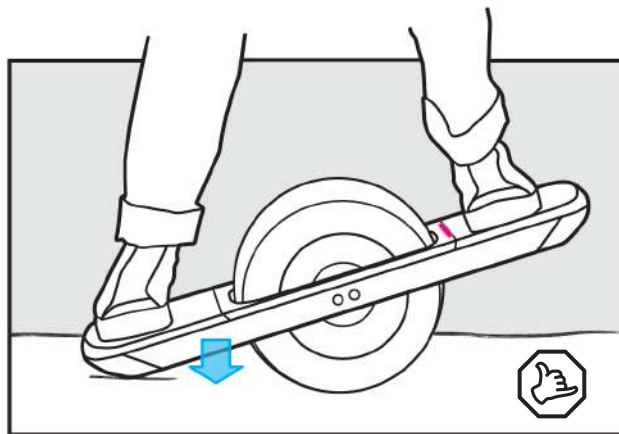
When **Simplestop™ is TURNED ON** in the settings on your Onewheel App, lean back to slow the board down to a stop.

2)



Level out. Once stopped bring your board parallel to the ground [level].

3)



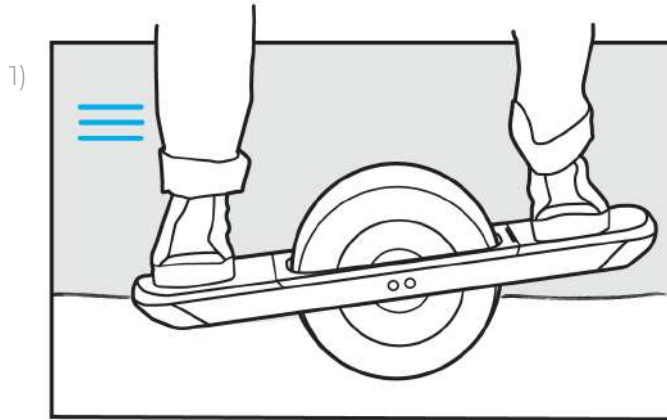
Lean back and lower. SLOWLY lean back, the board will travel backwards a couple inches then disengage and the tail will lower to the ground.

JUMP OFF METHOD

Slow down to a standstill by leaning backward to decelerate. Once stopped, level out the board and jump off with both feet at the same time.

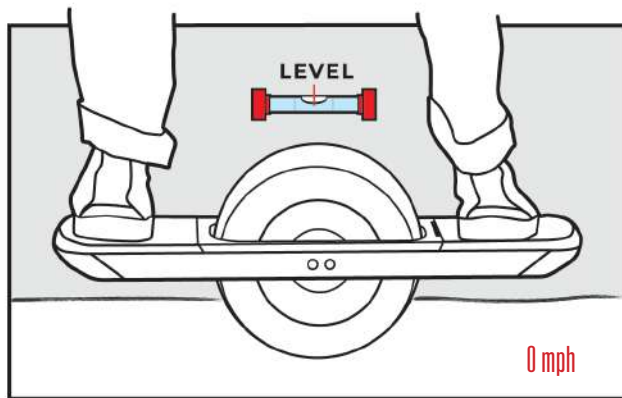
✓ **TIP:** This isn't the best way to dismount as there is a chance your board will tip over on its side and you may scratch the side rails.

⚠ **WARNING:** Never step off with your back foot first [the foot not on the rider-detection area]. This increases risk of a fall and possible injury.



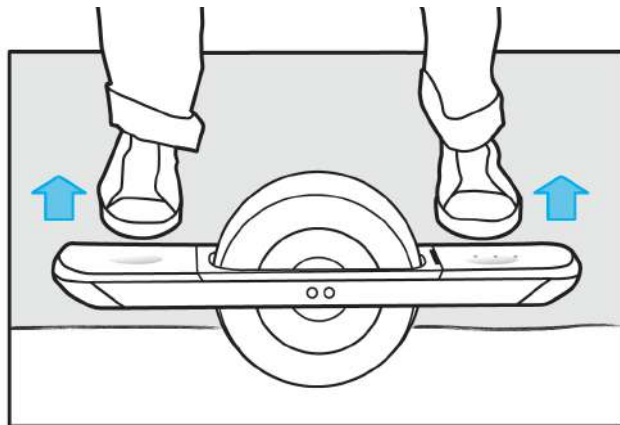
Slow to a stop. Lean back to slow your board down to a stop.

2)



Level out. Once stopped bring your board parallel to the ground [level].

3)

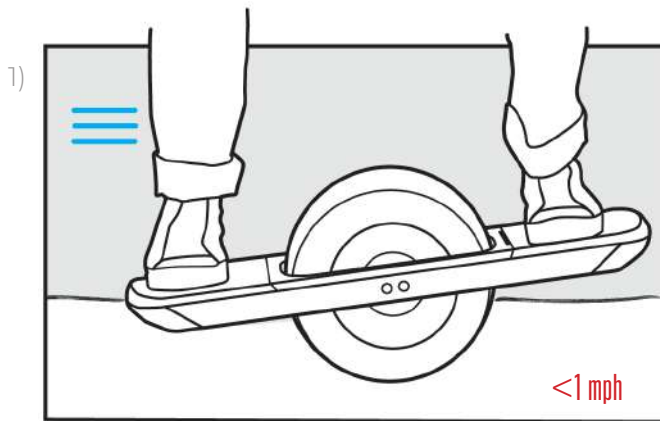


Jump off. Carefully jump off with BOTH FEET simultaneously.

HEEL LIFT METHOD

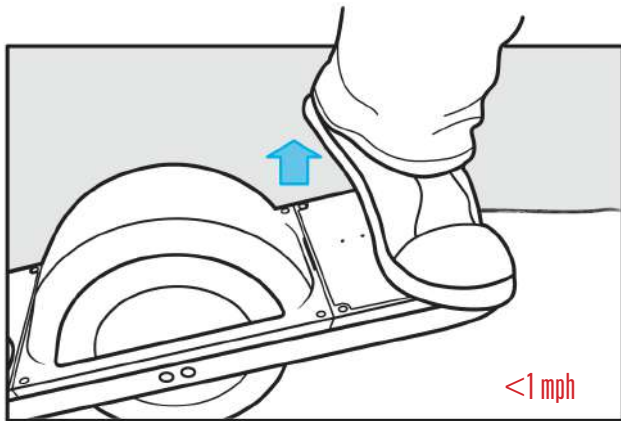
The heel lift method is a little trickier than Simplestop™ but it can be one of the most seamless ways to dismount a Onewheel.

- ⚠️ **WARNING:** Never step off with your back foot first [the foot not on the rider-detection area]. This increases risk of a fall and possible injury.
- ✓ **TIP:** Practice the heel lift dismount while holding onto something to keep your balance. You'll hear a small click when the motor disengages.



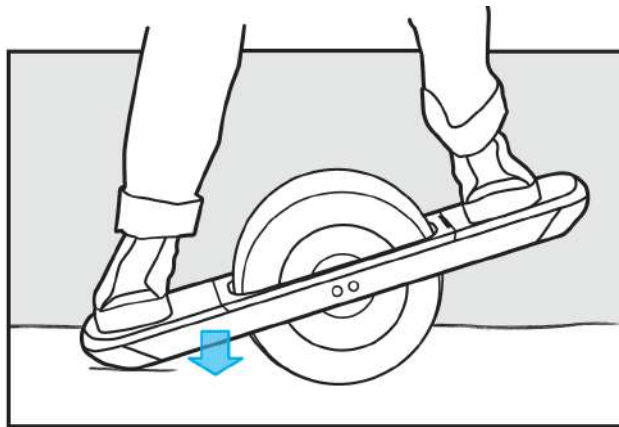
Slow to less than 1 mph. Lean back to slow your board down to less than 1 mph.

2)



Lift your heel. Lift your front heel off one side of the sensor pad and the board will disengage letting you set the tail down.

3)




Lower the tail. Once your board is disengaged, slowly lower the tail to the ground.

PUSH BACK


Like everything in life, Onewheel Pint has its limits. If at any time you attempt to go too fast, descend a very steep hill or ride with a low battery, your Onewheel Pint will “push back.” In a push back situation, the nose of the board will lift to let the rider know to slow down.

ALWAYS LEAN BACK TO SLOW DOWN WHEN PUSH BACK OCCURS. NEVER LEAN FORWARD INTO PUSH BACK. Failing to heed push back by leaning back to slow down may result in loss of control, serious injury or death.

 **WARNING:** Ignoring safety warnings, including push back, may result in loss of control, serious injury or death.


FULL-BATTERY PUSH BACK

When the battery is fully charged and you continue to charge it through regenerative braking (e.g., traveling downhill), you may experience “Full-Battery Push Back.” This is to prevent overcharging the battery cells. If this happens, simply switch your Pint OFF and ON again, and travel up the hill for a few moments to expend some of the charge. You will now be able to continue riding downhill.

 **WARNING:** Never attempt to ride down a long or steep hill with a freshly charged Onewheel Pint. Loss of control or damage to your Onewheel Pint may occur.


LOW-BATTERY PUSH BACK

When your Onewheel Pint battery is extremely low, it will perform a much more aggressive push back and will become inoperative. This means a full battery charge is needed. When low-battery push back occurs, stop your Onewheel Pint and charge it.

 **WARNING:** Continuing to ride when low-battery push back occurs may result in sudden shutdown or damage to your Onewheel Pint.

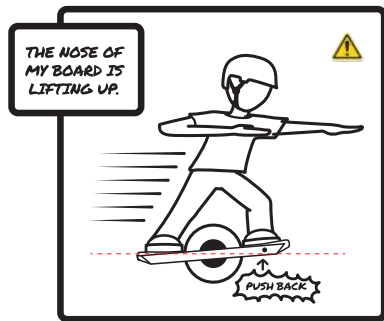
SPEED PUSH BACK

When your Onewheel Pint is reaching its limits, push back will occur. When that happens, lean your weight back to decrease your speed. Never lean forward into push back as you may push your Onewheel Pint beyond its limits, which could cause you to lose control, fall from your board and sustain serious injuries or death.

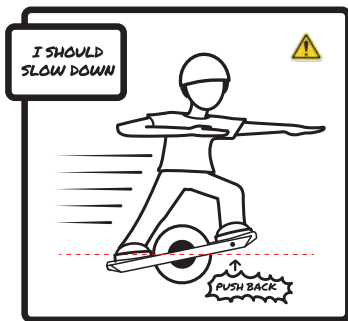
 **WARNING:** Ignoring safety warnings, including push back, may result in loss of control, serious injury or death.

SPEED PUSH BACK - DO THIS!

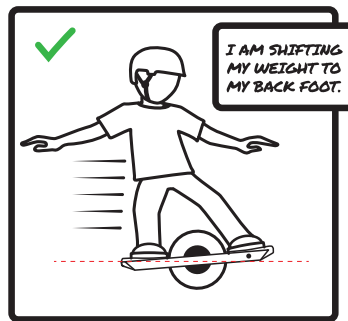
Push back is an important safety feature. Ignoring or trying to push through push back is extremely dangerous.



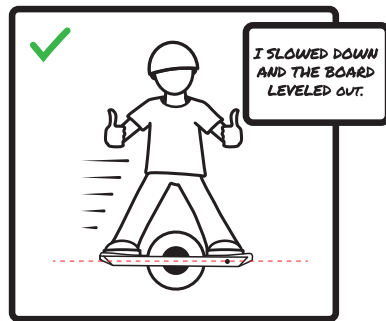
⚠ CAUTION: PUSH BACK
The nose of the board lifts up to warn the rider to slow down.



⚠ CAUTION: PUSH BACK
The rider recognizes push back and plans to adjust.



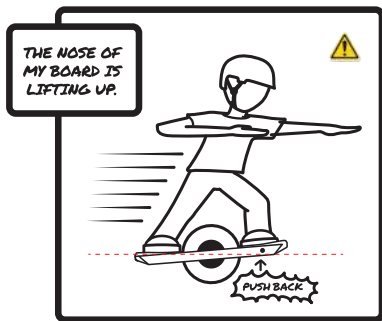
Rider shifts weight to the back foot in order to slow down.



Rider has slowed down and the board returns to riding normally.

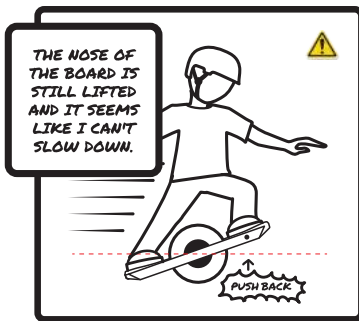
SPEED PUSH BACK - NEVER DO THIS!

Push back is an important safety feature. Ignoring or trying to push through push back is extremely dangerous.



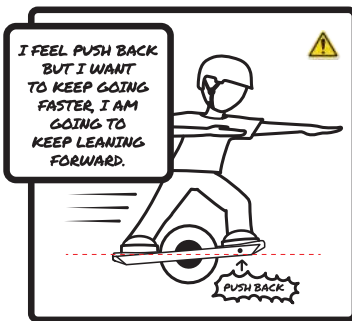
⚠ CAUTION: PUSH BACK

The nose of the board lifts up to warn the rider to slow down.



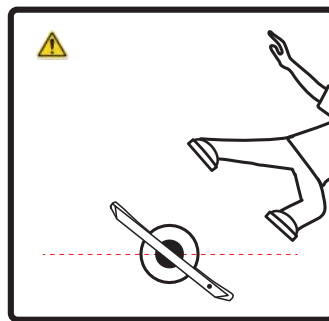
⚠ WARNING: DO NOT IGNORE PUSH BACK

If the rider's weight continues to be forward the board will continue to give the rider push back.



⚠ WARNING: DO NOT IGNORE PUSH BACK

Rider leans weight forward to accelerate. Board continues to give the rider push back.

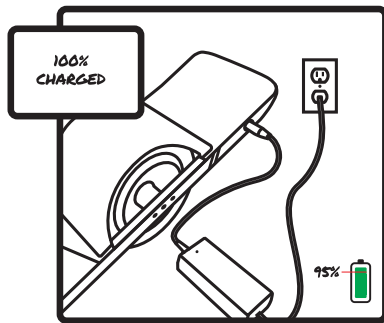


⚠ WARNING: DO NOT IGNORE PUSH BACK

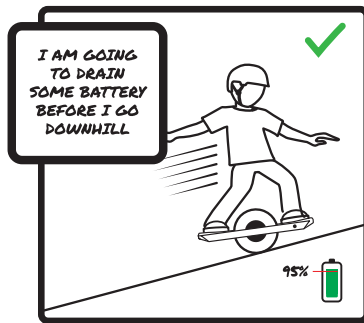
Ignoring safety warnings, including push back, may result in loss of control, serious injury or death.

FULL BATTERY PUSH BACK - DO THIS!

Push back is an important safety feature. Ignoring or trying to push through push back is extremely dangerous.

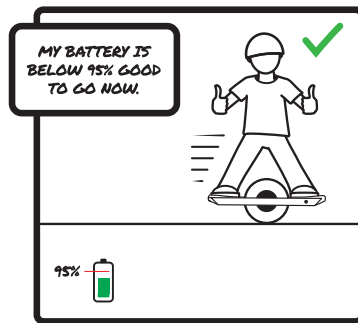


OneWheel is 100% charged.

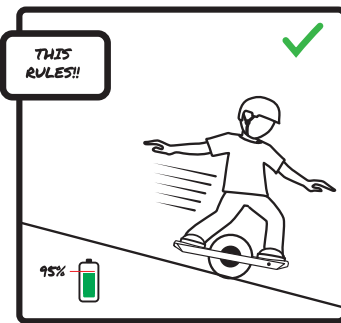


⚠ CAUTION: PUSH BACK

Ride uphill until the battery is below 95% charged.



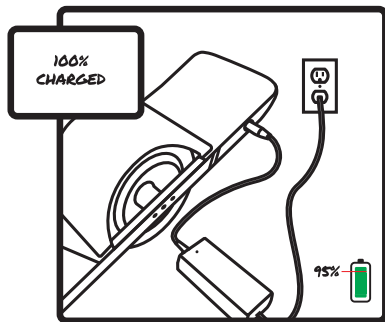
After draining the battery under a 95% charge, the battery is ready for regenerative braking.



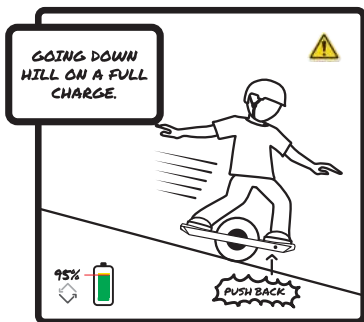
Good to go, have fun.

FULL BATTERY PUSH BACK - NEVER DO THIS!

Push back is an important safety feature. Ignoring or trying to push through push back is extremely dangerous.

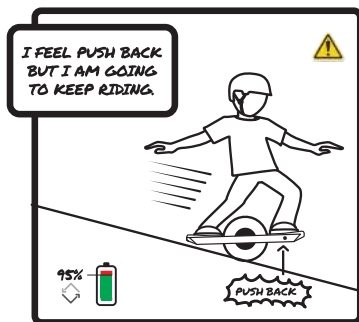


OneWheel is 100% charged.



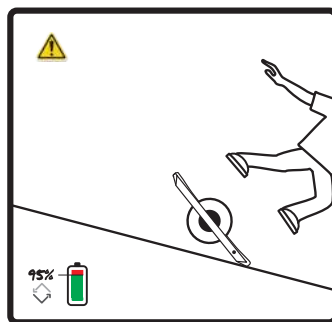
⚠ WARNING:
DO NOT IGNORE PUSH BACK

The nose of the board lifts up to warn the rider the battery can't handle any more regen braking.



⚠ WARNING:
DO NOT IGNORE PUSH BACK

If regenerative braking continues the board will continue to push back.



⚠ WARNING:
DO NOT IGNORE PUSH BACK

Ignoring safety warnings, including push back, may result in loss of control, serious injury or death.



ONEWHEEL PINT OWNER'S MANUAL





MAINTAINING YOUR PINT

03

SAFETY CHECK

Doing regular safety checks will help prolong the life of your Onewheel Pint. We recommend that you carefully inspect your Onewheel Pint before every ride to make sure that there are no loose, damaged or unusually worn parts. All nuts and bolts should be tight. Most Onewheel Pint components were designed so that they can be easily replaced if there is a problem.

**CONTACT ONEWHEEL CUSTOMER SERVICE IF YOU
HAVE QUESTIONS. EMAIL SUPPORT@ONEWHEEL.COM**

- ⚠️ **WARNING:** Before performing any minor work on your Onewheel Pint, make sure the power switch is in the “OFF” position.
- ⚠️ **WARNING:** The footpads are an integral part of the safety system for the Onewheel Pint. Never ride with damaged footpad or grip tape, and never attempt to replace grip tape. Replacement footpads are available at www.onewheel.com.
- ⚠️ **CAUTION:** Riding a damaged Pint will void its warranty.

BUMPERS

Bumpers are designed as wear-and-tear components and must be replaced as they wear. More details can be found at onewheel.com/support

FOOTPADS

Inspect footpads for any cracks, punctures or tears in the grip tape, particularly in the rider-detection area. If you notice any damage, contact support@onewheel.com for replacement parts.


- ⚠️ **CAUTION:** Never attempt to remove or replace grip tape with aftermarket grip tape.
- ⚠️ **WARNING:** Riding with a damaged footpad is extremely dangerous. Replace immediately.


TIRE


Check your Onewheel Pint tire for any cuts in the tread and sidewall. Also be sure it is sufficiently inflated, up to 20 PSI. The best way to check and inflate your tire is with a quality digital gauge and compressor at your local gas station.


For a softer, more forgiving ride you can decrease the tire pressure as low as 17 PSI, but note that tire pressure makes a **significant** difference to your Onewheel Pint's range, top speed, tire wear and ride quality.

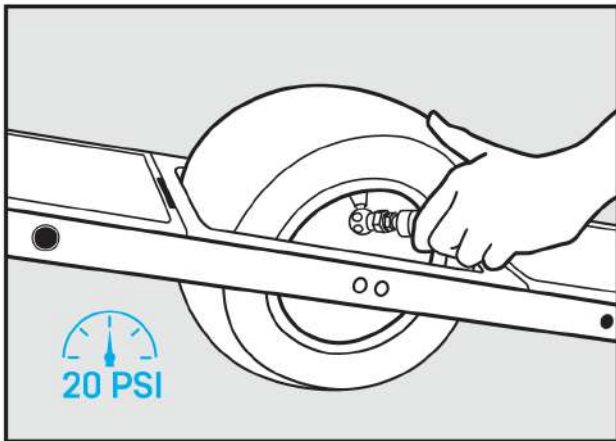
If your tire is damaged or has a hole, please visit our website for more information: onewheel.com/support

 **WARNING:** Exceeding the maximum pressure of 30 PSI (2.0 bar) could damage your Onewheel Pint and result in injury. It will also void your warranty.

 **CAUTION:** Tire pressure makes a **significant** difference to your Onewheel Pint's range, top speed, tire wear and ride quality.

 **CAUTION:** Riding your Onewheel Pint with a flat or under-inflated tire will void your warranty.

 **CAUTION:** Pencil-type automotive tire gauges can be inaccurate. Always use a quality digital gauge



BATTERY

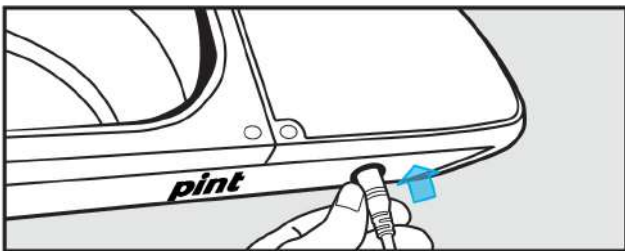
Be careful not to overcharge or undercharge your battery. The battery should be charged at least once every two months. Failure to do so may void your warranty. You must dispose lithium batteries according to local laws and regulations.

- ⚠️ **WARNING:** If the battery pack appears to be damaged or is not holding a charge, please do not use it. For further assistance, contact onewheel customer support at 1-800-283-7943 or send an email to support@onewheel.com
- ⚠️ **CAUTION:** Do not expose the battery to extreme high or low temperatures. These may degrade or damage the battery pack.

BATTERY CHARGER

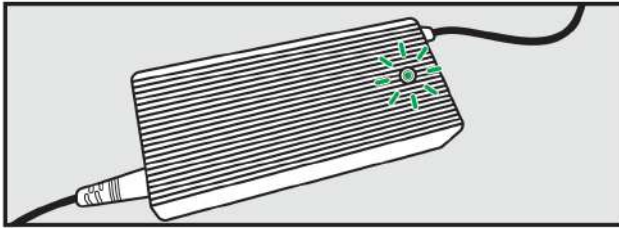
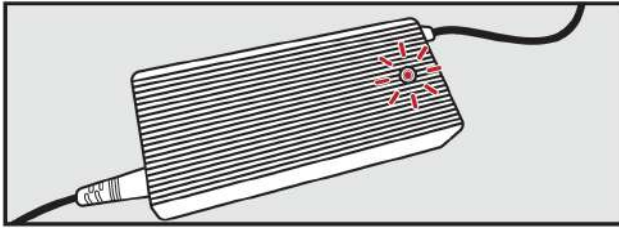
Use only the Onewheel Pint Home Charger (FY630130) or Onewheel Pint Ultracharger (FY630300) to charge your Onewheel Pint.

NOTE: The FY630130 and FY630300 chargers can operate on 110V-240V. Depending on your country, a plug adapter may be required.



HOW TO CHARGE YOUR BATTERY

- 01** Connect the charger to an “AC” supply and then to the Onewheel Pint charging port. The charger will display a red light.
 - 02** A green light will appear when the battery pack is fully charged and the charger will automatically stop charging.
 - 03** Disconnect the charger by pressing the release button on the charging plug and pulling firmly.
- ✓ **TIP:** Periodically leave the charger attached to your Pint overnight to allow the battery pack to thoroughly balance.



⚠ CAUTION: Only use the Onewheel Pint Home Charger [FY630130] or Onewheel Pint Ultracharger [FY630300] to charge your Onewheel Pint. Use of any other charger will void your warranty and may damage your Onewheel Pint.

⚠ CAUTION: All electronic and drive components may only be repaired by Onewheel customer support or by a Onewheel authorized service center. Any other adjustments will void your warranty.

⚠ CAUTION: Don't begin any repairs or adjustments on your Onewheel Pint until you properly understand how to complete them. An improper adjustment or repair may result in damage to your Onewheel Pint or a potentially serious injury. A qualified Onewheel Pint mechanic should perform complex services, maintenance and repairs in a properly equipped facility.



GETTING TO
KNOW YOUR
PINT

04

UNDERSTANDING THE AWESOME

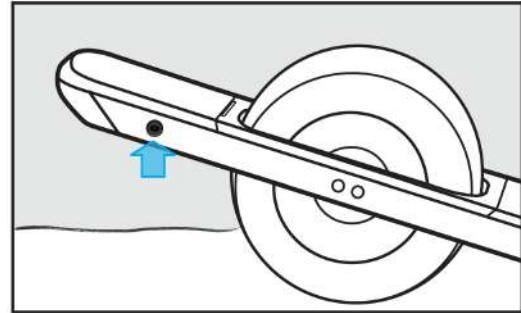
You already know OneWheel Pint is super fun, but it's also important to your safety, performance and enjoyment to understand how the OneWheel Pint works. If after reading this manual you still have questions, please contact OneWheel customer support at 1-800-283-7943 or send an email to support@onewheel.com

MAIN POWER PUSHBUTTON SWITCH

Onewheel Pint is powered ON and OFF by the pushbutton switch on the side of your Onewheel Pint. Always make sure your Onewheel Pint is on the ground in the ready-to-ride position before switching it “ON.” Always turn your Onewheel Pint “OFF” when charging, storing or carrying it.

- ⚠️ **WARNING:** Never pick up your Onewheel Pint when the switch is in the “ON” position since the wheel may spin, thus causing a safety hazard.
- ⚠️ **CAUTION:** Do not press the rider-detection area section of the footpad while powering on your Onewheel Pint or it will not operate.

- ✓ **TIP:** Turning on your Onewheel Pint while it is not on the ground will cause an error.



LIGHTBAR

LED LIGHTBAR INDICATOR

The Lightbar directly behind the front footpad is the status indicator for Onewheel Pint. The Lightbar will indicate battery status, error codes and other information for your Onewheel Pint.

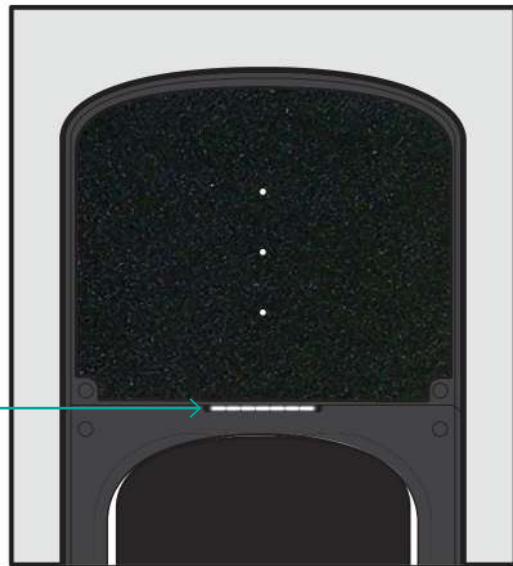
NORMAL OPERATION

While powered on, the Lightbar will show a bar graph of your battery state of charge, starting on the left hand side. The Lightbar also indicates footpad contact, Simplestop™ behavior, as well as errors and warnings. While riding, the Lightbar fades out so you can focus on the ride ahead. Slow down and the Lightbar comes back on.

CHARGING

While charging, the Lightbar will pulse and act as a bar graph. When fully charged, it will turn off.

Lightbar
indicating
a fully charged
battery



BATTERY STATUS

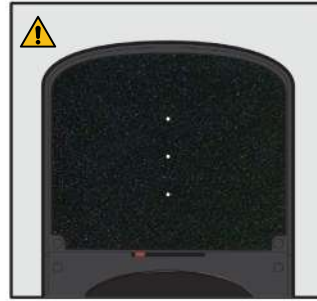


50% CHARGE



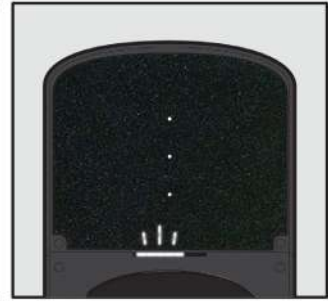
< 10% CHARGE

Time to conclude your ride and recharge your battery.



FULLY DEPLETED

Pushback will occur, stop riding immediately.



CHARGING

The Lightbar will pulse, and act as a bar graph.

⚠ WARNING: Continuing to ride when low-battery push back occurs may result in sudden shutdown or damage to your Onewheel Pint.

SIMPLESTOP™ BEHAVIORS

Onewheel Pint notifies you when Simplestop™ is enabled through the Lightbar.

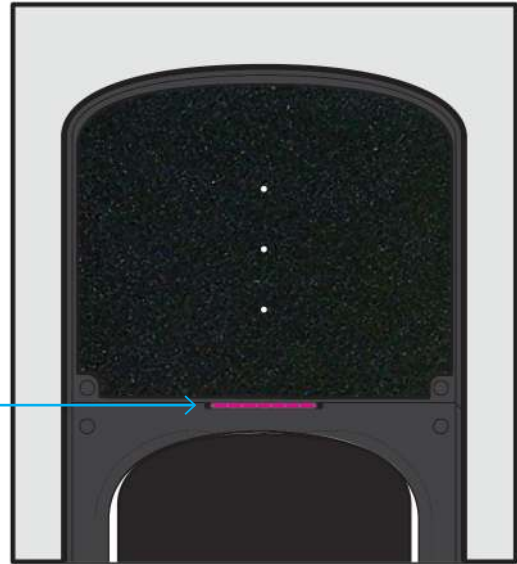
SIMPLESTOP™ STARTUP

The Lightbar will blink magenta on power-up if Simplestop™ is enabled.

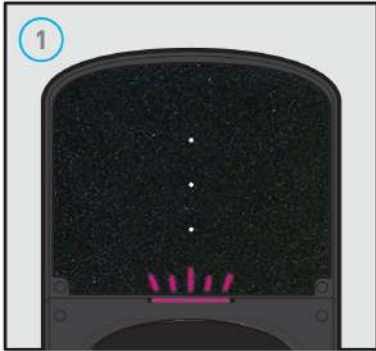
SIMPLESTOP™ DISMOUNT

While performing a Simplestop dismount the Lightbar will turn magenta to indicate that Simplestop™ is engaged and that you are performing a Simplestop™ dismount.

Simplestop™
indicator
is magenta



SIMPLESTOP™ INDICATION



SIMPLESTOP™ POWER UP
Lightbar blinks magenta then transitions to white.



POWERED UP
Once powered up Lightbar will turn to white battery bar graph indicator.



SIMPLESTOP DISMOUNT
While performing a Simplestop™, Lightbar turns a steady magenta.

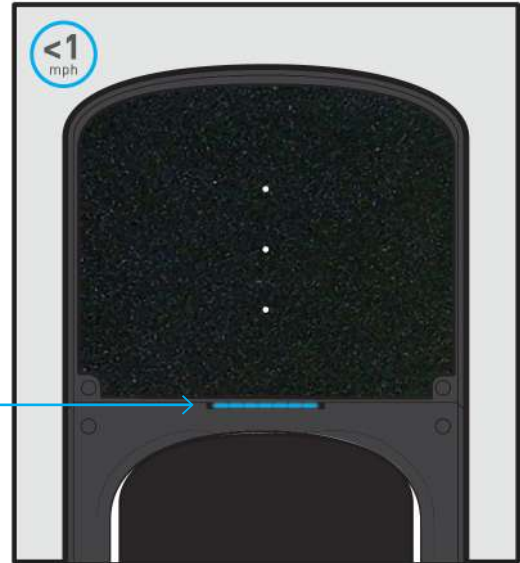
FOOTPAD SENSOR BEHAVIORS

The front footpad has two zones on each side of the footpad which makes up Onewheel's rider detection area. When traveling at less than 1 mph, each side of the Lightbar will illuminate blue when the corresponding zone of the rider-detection area is engaged.

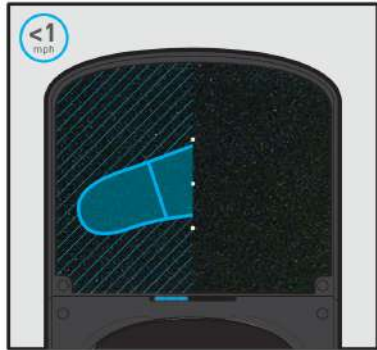
✓ **TIP:** Make sure you are engaging both sides of the pressure sensitive pad before riding.

⚠ **WARNING:** Never step off with your back foot first (the foot not on the rider-detection area). This increases risk of a fall and possible injury.

Indicator showing contact on both zones of the rider-detection area.

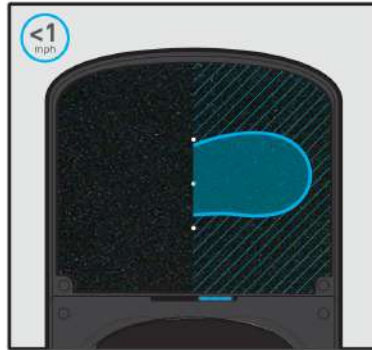


RIDER-DETECTION FOOTPAD CONTACT INDICATION



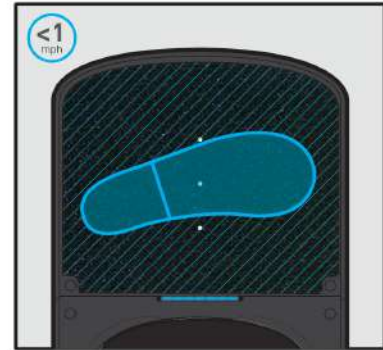
LEFT ZONE ONLY

The three left LEDs of the Lightbar will illuminate blue.



RIGHT ZONE ONLY

The three right LEDs of the Lightbar will illuminate blue.



BOTH ZONES

The entire Lightbar will illuminate blue.

DECODING YOUR ONEWHEEL PINT

The different blink codes, differentiated by the number of blinks in a row, may indicate different issues with your Onewheel Pint. The entire Lightbar will blink yellow or red. If you are riding the board when an error code occurs the board will give extreme push back. Lean back to slow down, stop and dismount immediately.

Always count the error code if one occurs. Sometimes you can solve the issue by charging the battery or by switching your Onewheel Pint OFF and then ON again. If you are still experiencing problems, please contact Onewheel customer support at 1-800- 283-7943 or send an email to support@onewheel.com

LIGHTBAR COLOR	# OF BLINKS	DESCRIPTION
-----	03	Overcharged
-----	04	Invalid power-up orientation
-----	06	Motor stall detected
-----	07	Out of range controller temperature
-----	09	Bad accelerometer
-----	10	Bad controller
-----	11	Bad hall sensors
-----	13, 14	Over-current detected
-----	15	Footpad sensor pressed on power-up
-----	16,22	Invalid hardware
-----	17	Out of range battery temperature
-----	18	Out of range motor temperature
-----	21	Charger connected



BLINKING YELLOW

A minor issue that may be fixed by charging or switching your board off and on again.



BLINKING RED

An issue that may require you to contact customer support.

MORE WAYS
TO RIDE
SAFELY

05






MODIFYING YOUR ONEWHEEL PINT

Using unauthorized accessories, modifying or changing the appearance or performance of Onewheel Pint factory components is not advised and could potentially increase your risk of injury.

Authorized Official Onewheel Accessories are available at onewheel.com/accessories.

If you have specific questions, please contact Onewheel customer support at 1-800-283-7943 or send an email to support@onewheel.com


-  **WARNING:** Failure to confirm the compatibility of, or to properly install, operate or maintain any component or accessory on your Onewheel Pint can result in serious injury or death and will void your warranty.
-  **WARNING:** Changing or modifying any Onewheel Pint can result in serious injury or death and will void your warranty.
-  **WARNING:** Using unauthorized accessories may void your warranty or cause serious injury or death.


MORE WAYS TO RIDE SAFELY

Observe all local traffic laws and regulations regarding riding on sidewalks and trails. It is your responsibility to know and obey the laws in your riding area.

Share the road and respect the rights and safety of other motorists, pedestrians and cyclists.

Ride defensively. Always assume that others do not see you.

 **WARNING:** Never ride your Onewheel Pint on inclines or declines with grades steeper than 15%. This may cause the motor and battery to overheat and will also void your warranty.


 **CAUTION:** Jumping and stunt riding will void your warranty.

ONEWHEEL PINT OWNER'S MANUAL

LOOK AHEAD, AND BE READY TO AVOID OR YIELD TO:

- Vehicles slowing or turning, entering your lane ahead of you or coming up behind you
- Parked cars or opening car doors
- Pedestrians
- Children or pets
- Potholes, sewer grating, railroad tracks, expansion joints, road or sidewalk construction, debris and other obstructions that could cause you to swerve into traffic, catch your wheel or fall

ALWAYS WEAR:

- Shoes that stay on your feet and will grip the board. Never ride barefoot or while wearing sandals or flip-flops.
 - Bright clothing that makes you clearly visible to drivers, riders and pedestrians.
 - Protective eye wear to protect against the sun, as well as airborne dirt, dust and, of course, bugs.
-  **WARNING:** Failure to wear a helmet when riding may result in serious injury or death.

- Always wear a ASTM F1492-08, CPSC and/ or CE EN1078 certified helmet, and follow the manufacturer's instructions for fit, use and care. Head injuries are some of the most serious and may be avoided with proper protection.
- Avoid sharp bumps, drainage grates and sudden surface changes.
- Avoid streets and surfaces with water, sand, gravel, dirt, leaves, and other debris. Wet weather impairs traction, braking and visibility and may damage your board.
- Never ride near motor vehicles.

MORE WAYS TO RIDE SAFELY

- Always ride in designated lanes or paths or as close to the edge of the road as possible in the direction of traffic flow or as directed by local laws.
- Never weave through traffic.
- Never carry a passenger.
- Stop at stop signs and traffic lights. Slow down and look both ways at street intersections. Be prepared to yield even if you have the right of way.
- Use approved hand signals for turning and stopping.
- Never carry anything that could obstruct your vision or that could cause you or your clothing to become entangled in the wheel.
- Never hitch a ride holding onto another moving vehicle or object.
- Never ride your Onewheel Pint while under the influence of alcohol or drugs.
- Choose smooth stable paths made of concrete and asphalt.
- Observe and yield the right of way.

- Do not perform racing, stunt riding or other maneuvers that may cause loss of control.
- Do not allow body parts, clothes, etc. to come into contact with moving parts, wheels or drive train while the motor is running.
- Before each use, perform pre-operation checks as specified by the manufacturer.
- The owner shall allow use of the unit only after clearly demonstrating its proper and safe use and confirming that the operator understands all components and aspects of operation of the unit, and is wearing a helmet.
- Be thoroughly familiar with the way your Onewheel Pint works (e.g., speed, direction, turning).
- Always keep body parts, clothing and other objects away from the wheel.
- Always do a mechanical safety check before getting on your Onewheel Pint.
- When riding, be aware of your environment. Ride at a speed appropriate for your conditions. Increased speed equals higher risk.

MORE WAYS TO RIDE SAFELY

- Do not ride at night or during times of low visibility [e.g., fog, rain, dusk, dawn].
- Follow all manufacturer's recommendations and instructions, as well as comply with all laws and ordinances.
- Components shall be maintained and repaired in accordance with manufacturer's specifications, only authorized replacement parts shall be used, and installation shall be by dealers or other skilled persons.
- Persons with heart conditions, pregnant women, persons with head/back/neck ailments, persons with mental or physical conditions that make them susceptible to injury, and persons with impaired capabilities should not operate.



GENERAL BOARDCARE

DAILY USE

To keep your board looking great and riding for years is pretty easy. **Just keep it dry, keep it clean, and keep it charged.** When you are done riding store your board in a warm, dry place. Don't leave it outside or in your car overnight.

MOIST ENVIRONMENTS

If you ride in any moist environment make sure you wipe your board off fully afterward and get all debris off and let it fully dry out before charging. The board is not waterproof, but water-resistant. Ride into moisture environments at your own risk.

COLD WEATHER

Riding in the winter is a blast and Onewheels can be operated in the cold. Don't let the winter cold ruin your fun.

When you are done riding don't leave your Onewheel outside or in the trunk of your car. Long exposure to extremely cold temps can adversely affect your board's health.

If you do happen to leave your Onewheel out in the cold you may have to bring your board in and warm it up (60°F/15°C) before it is ready to ride (You may see error 17 if battery temperature is too low). It may take an hour or more to warm up to a rideable temperature.

BATTERY CARE

Leaving the board on the charger several days in a row will not damage the board. However for long term storage, it is best to store as per the long term storage instructions.

- Leaving your board on the charger for several days in a row will not damage your board.
- Do not leave your board on the charger for months.
- For long term storage make sure to charge between 40-50% and check it monthly.

LONG TERM STORAGE

Make sure to charge between 40-50% and store it in a dry place between 50°-60°F (10°-15°C). Check monthly to ensure your battery remains between 40-50%.



**40-50%
CHARGE**



**50°-60°F
(10°-15°C)**



**CHECK
MONTHLY**

PINT SPECIFICATIONS

MOTOR	: 750W Hypercore® hub motor
BATTERY	: Nickel Manganese Cobalt Oxide [NMC]
SENSORS	: Solid State MEMS 6-DOF
TIRE	: 10.5 × 4.5-6 Onewheel
MAX LEAN ANGLE	: > 30 degrees
TOP SPEED	: 16 MPH / 26 KPH
TYPICAL RANGE	: 6-8 MI / 10-13 KM
DIMENSIONS	: 8.75×10.5×27 (IN) / 222x266x689 [MM]
WEIGHT	: 23 LB / 10.5 KG
RECHARGE TIME	: 120 mins* [FY630130 charger]

*CHARGE TIME ESTIMATED STARTING FROM A 10%-90% CHARGE.

ONEWHEEL PINT OWNER'S MANUAL

PINT X SPECIFICATIONS

MOTOR	: 750W Hypercore® hub motor
BATTERY	: Nickel Manganese Cobalt Oxide [NMC]
SENSORS	: Solid State MEMS 6-DOF
TIRE	: 10.5 × 4.5-6 Onewheel
MAX LEAN ANGLE	: > 30 degrees
TOP SPEED	: 18 MPH / 29 KPH
TYPICAL RANGE	: 12-18 MI / 19-29 KM
DIMENSIONS	: 8.75×10.5×27 (IN) / 222x266x689 [MM]
WEIGHT	: 27 LB / 12.25 KG
RECHARGE TIME	: 240 mins* [FY630130 charger]

PINT CHARGER SPECIFICATIONS

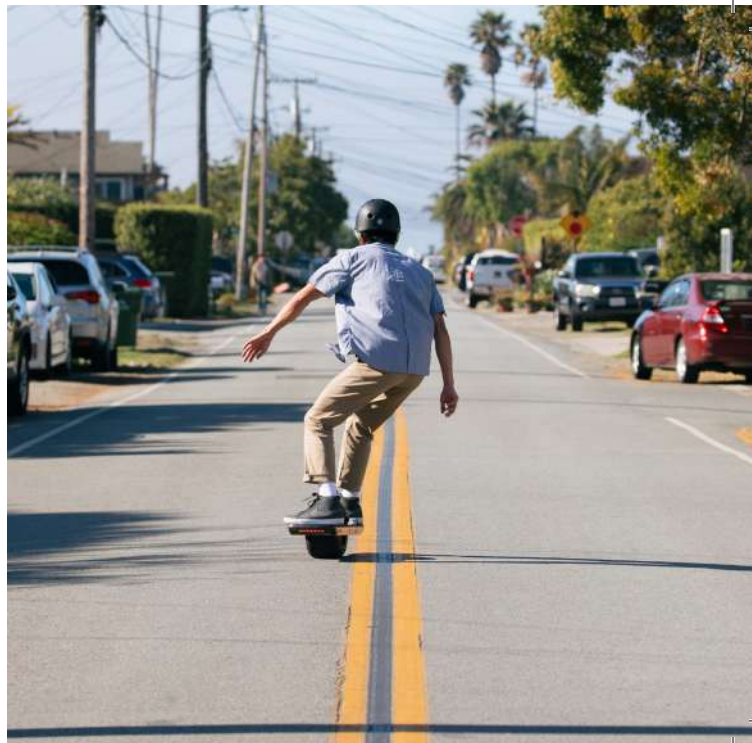
INPUT : AC100-240V
50/60Hz 110VA

OUTPUT : +63VDC 1.3A

MODEL # : FY630130

OPERATING TEMPERATURE RANGE : 0C to 50C

OPERATING HUMIDITY RANGE : 0 to 100% RH
(non-condensing)



WARRANTY

WARRANTY This agreement outlines the **LIMITED WARRANTY** coverage supplied by Future Motion Inc., hereinafter to be called the **COMPANY**, to the **USER**, which is defined as an individual who has purchased the Onewheel Pint (hereinafter to be called the **PRODUCT**) in a retail establishment or via an on-line storefront as approved by the **COMPANY** or from a **COMPANY**-authorized sales representative. Purchasing any **PRODUCT** from an unauthorized reseller, including any online purchase other than directly from the **COMPANY**, will void all product warranties to the extent permitted by law.

The **COMPANY** warrants that the **PRODUCT**, other than the footpad, tire and battery pack, will be free from defects in materials and workmanship for a period of 12 months/2000 KM (1243 miles), whichever comes first. The warranty for the footpad, tire and battery pack is 6 months/1000 KM (622 miles).

ONEWHEEL PINT OWNER'S MANUAL


If the **PRODUCT** proves defective **AND** a claim is filed during the warranty period, the **COMPANY**, at its option, will:

- 01** Repair the **PRODUCT** by means of telephone support, email support, or by providing service at no charge for parts or labor,
- 02** Replace the **PRODUCT** with a comparable **PRODUCT** which may be new or refurbished.
- 03** Refund the original amount paid for the **PRODUCT**, less a reasonable allowance for usage, upon its return.

The **COMPANY** recommends that the **USER** first utilize support materials shipped with the **PRODUCT**, **PRODUCT** diagnostics, information contained on the Internet, and email support. If unsuccessful, to obtain service under this **WARRANTY** the **USER** must notify the **COMPANY** or its authorized service.

Future Motion provides paid repairs for products that are out of warranty.

All Sales are Final.

 If you wish to discard this product please contact your local authorities or dealer and ask for the correct method of disposal.

COMPONENT WARRANTY DURATION NOTES

(For defects in materials and workmanship.)

COMPONENTS	WARRANTY DURATION	NOTES
Onewheel Pint	1 year	Parts that are not listed separately
Footpad, Tire, Battery Pack	6 months	

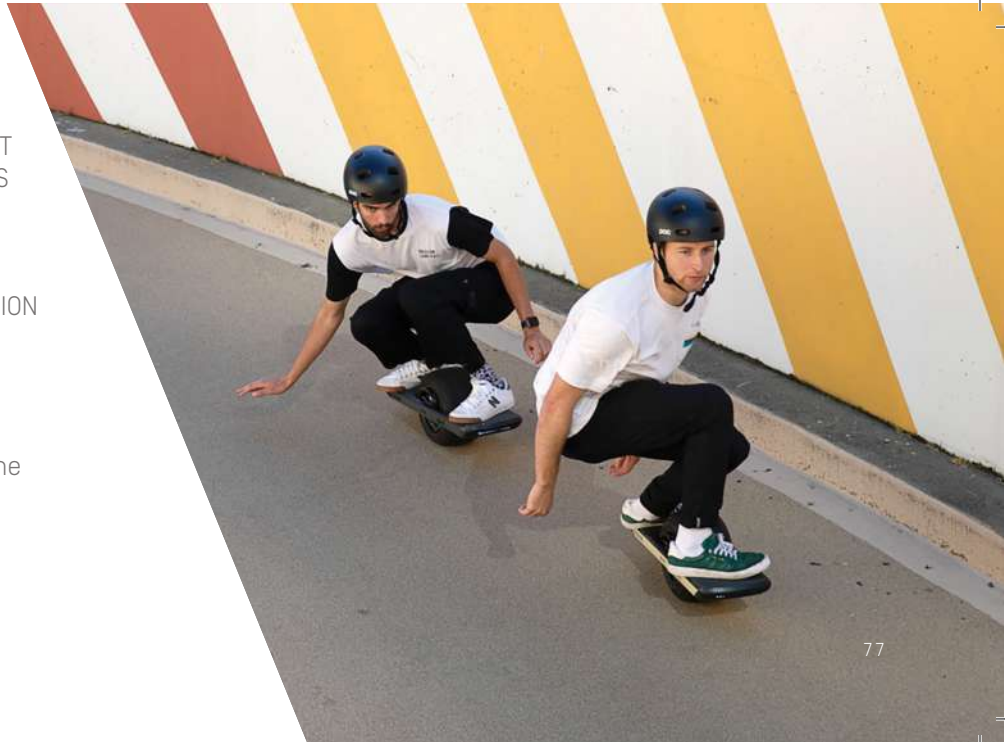
WARRANTY

THE FOLLOWING ARE NOT COVERED BY THE WARRANTY

- Total mileage is over 2000km/1243miles .
- Damage has been caused by modification or use outside those specified in the User Manual.
- The barcode or serial number of the product has been altered or removed.
- The warranty registration is inconsistent with the product itself.
- The product has been dismantled or repaired by an unauthorized third party .
- Water damage is not covered under warranty.
- Damage or fault has been caused by other issues [excluding product design, manufacture, quality, etc.].
- Natural wear and tear that does not affect product function [including scratches and wear and tear on frame rails, footpad, tires, etc].
- Damage has been caused by accidents or human errors, such as breakage caused by dropping or rusting in a very wet environment.
- Damage has been caused by overloading the Onewheel.
- Damage has been caused by acts-of-god such as fire, flood, earthquake, freezing, etc.
- Products purchased from an unauthorized reseller, including any online purchase other than directly from Future Motion, Inc., to the extent permitted by law.

ALL IMPLIED WARRANTIES (INCLUDING BUT NOT LIMITED TO THE IMPLIED WARRANTIES OF MERCHANTABILITY AND FITNESS FOR A PARTICULAR PURPOSE) ARE LIMITED IN DURATION TO THE ABOVE 12 MONTH/6 MONTH WARRANTY PERIOD. FUTURE MOTION INC. FURTHER DISCLAIMS ALL EXPRESS WARRANTIES.

Some states do not allow limitations on how long an implied warranty lasts, so the above limitation may not apply to you if inconsistent with controlling state law.



DECLARATION OF CONFORMITY

PINT: SELF-BALANCING ELECTRIC SKATEBOARD

PRODUCT: Onewheel Pint: Self-Balancing Electric Skateboard

TYPE MODEL: OW1-00007-XX

MANUFACTURER: Future Motion Inc

MANUFACTURER ADDRESS:

1201 Shaffer Rd.

Santa Cruz, CA 95060, USA

The undersigned hereby declares, on behalf of Future Motion Inc. of Santa Cruz, CA, that the above-referenced product, to which this declaration relates, is in conformity with the provisions of:

EU Machinery Directive 2006_42_EG

Council Directive 2014/30/EU on Electromagnetic

Compatibility:


EN 55022 Class B Limits

EN 55024

EN 60204

EN ISO 12100

The Technical Construction File is maintained at the corporate headquarters at 1201 Shaffer Rd, Santa Cruz, CA 95060, USA.

Signed 
Kyle Doerksen. Founder, CEO



15.02.2020

DECLARATION OF CONFORMITY

PINT X: SELF-BALANCING ELECTRIC SKATEBOARD

PRODUCT: Onewheel Pint X: Self-Balancing Electric Skateboard

TYPE MODEL: OW1-00008-XX

MANUFACTURER: Future Motion Inc

MANUFACTURER ADDRESS:

1201 Shaffer Rd.

Santa Cruz, CA 95060, USA

The undersigned hereby declares, on behalf of Future Motion Inc. of Santa Cruz, CA, that the above-referenced product, to which this declaration relates, is in conformity with the provisions of:

EU Machinery Directive 2006_42_EG

Council Directive 2014/30/EU on Electromagnetic

Compatibility:


EN 55022 Class B Limits

EN 55024

EN 60204

EN ISO 12100

The Technical Construction File is maintained at the corporate headquarters at 1201 Shaffer Rd, Santa Cruz, CA 95060, USA.

Signed 
Kyle Doerksen. Founder, CEO



05.09.2021

SAY HI

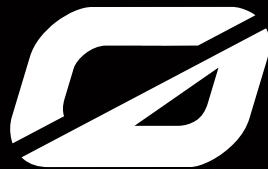
1201 Shaffer Rd
Santa Cruz, CA 95060, USA
1-800-283-7943

Copyright © 2021 Future Motion Inc
Onewheel® is a trademark of Future Motion Inc.

Onewheel® is protected by numerous patents in the U.S. and world-wide.
See www.onewheel.com/patents for more information.

All sales are final.





ONEWHEEL PINT & PINT X OWNER'S MANUAL V 2.0 [Original Instructions]

Manuals in other languages are available at
onewheel.com/support