

MANUAL

BOOSTED STEALTH / BOOSTED PLUS



BOOSTED

English
Español
Français
Deutsch

TABLE OF CONTENTS

ENGLISH

Warnings	4
Remote Glossary	5
Board Glossary	6
Proper Protection/Safety	7
Riding Basics	7
Powering On/Off Remote	8
Powering On/Off Board	8
Remote Charging	8
Board Charging	8
Checking Board Battery Life	9
Checking Remote Battery Life	9
Operating Board with the Remote	9
Checking Remote-Board Pairing	10
Changing Ride Mode	10
Removing Battery Pack	11
Replacing Battery Pack	11
More Information Online	11
Warnings & Safety Information	12-13
Safety & Compliance	14
Warranty	14

DEUTSCH

Warnungen	37
Glossar zur Fernbedienung	38
Glossar zum Board	39
Schutz- und Sicherheitshinweise	40
Einmaleins des Fahrens	40
Ein-/Ausschalten des Boards	41
Ein-/Ausschalten der Fernbedienung	41
Aufladen der Fernbedienung	41
Aufladen des Boards	41
Prüfen der Akkulaufzeit des Boards	42
Prüfen der Akkulaufzeit der Fernbedienung	42
Steuern des Boards mit der Fernbedienung	42
Kopplung von Fernbedienung und Board prüfen	43
Ändern des Fahrmodus	43
Entfernen des Akku-Packs	44
Austauschen des Akku-Packs	44
Ausführlichere Informationen online	44
Warn- und Sicherheitshinweise	45
Sicherheit und Vorschriften	47
Garantie	47

ESPAÑOL

Advertencias	15
Glosario del mando	16
Glosario del monopatín	17
Seguridad y protección	18
Conceptos básicos para ir en monopatín	18
Cómo encender y apagar el mando	19
Cómo encender y apagar el monopatín	19
Cómo cargar el mando	19
Cómo cargar el monopatín	19
Cómo comprobar la batería del monopatín	20
Cómo comprobar la batería del mando	20
Cómo manejar el monopatín con el mando	20
Cómo comprobar la conexión monopatín/mando	21
Cómo cambiar el modo del monopatín	21
Cómo retirar la batería	22
Cómo cambiar la batería	22
Más información en internet	22
Advertencias e información de seguridad	23
Seguridad y conformidad	25
Garantía	25

FRANÇAIS

Avertissements	26
Glossaire de la télécommande	27
Glossaire du skateboard	28
Protection adéquate/Sécurité	29
Notions de base pour rider	29
Allumer/éteindre la télécommande	30
Allumer/éteindre le skateboard	30
Chargement de la télécommande	30
Chargement du skateboard	30
Vérification de la charge de la batterie du skateboard	31
Vérification de la charge de la batterie de la télécommande	31
Utilisation du skateboard avec la télécommande	31
Vérification du jumelage télécommande-skate	32
Changement du mode de ride	32
Retrait de la batterie	33
Remplacement de la batterie	33
Plus d'informations en ligne	33
Avertissements et consignes de sécurité	34
Sécurité et conformité	36
Garantie	36

WARNINGS: DO NOT RIDE WITHOUT READING THIS MESSAGE

Your board can lose power and brakes at any moment due to radio interference between your remote and the board, a dead remote battery, unintentional release of the Engage Button, braking when the battery is fully charged, and other factors. Only ride your Boosted board at speeds and on hills where you'd be comfortable without power and brakes.

Braking downhill on a full battery will cause board shutdown and temporary loss of braking power since regenerative braking will overcharge the battery. To alert you of this situation, the remote will warn you by beeping, and you'll lose your braking power. Safely come to a stop by turning or foot braking and ride on flats or uphill to drain the battery before attempting downhill again.

The Throttle Wheel in higher modes is extremely sensitive to make the board responsive and fun, but it also means fast or sudden inputs can easily cause you to fall off. Start by trying to move forward as slowly as possible in these modes.

Hills and high speed can be very dangerous because crashes can cause serious injuries. Be extra careful when riding the board, even if you're an experienced rider.

Cars and other vehicles can kill you, so always be aware of your surroundings when riding in the presence of other vehicles. Ride defensively and assume other vehicles can't see you. Remember that your board may lose power and brakes at any moment. Be aware of the laws that govern the use of your board on public roads, bike paths, sidewalks, or other places that you may ride.

Protect your board. We have engineered the board to handle shock and vibration from riding over a wide variety of terrain. However, riding off curbs, doing jumps/hops, throwing the front down to the pavement, and subjecting the board to other high-impact events may damage internal electronic components over time. We highly recommend that you regularly inspect and maintain the board before riding.

Always wear a helmet. Other protective equipment (knee pads, long sleeves, wrist guards) is highly recommended.

Warning:

Whenever you ride a Boosted board, you risk death or serious injury from loss of control, loss of braking power, collisions, and falls. To ride safely, you must read and follow all warnings and instructions in this manual.

Warning:

Always wear a helmet when riding. Never ride in water, on wet surfaces, in the rain, on slippery or uneven surfaces, up steep hills, in traffic, and over cracks, train tracks, gravel, rocks, or any obstacles that could cause a loss of traction. Avoid night riding, areas with poor visibility, and narrow spaces.

Warning:

Do not ride a Boosted board in environments, on inclines, or at speeds where you would not be safely in control of an unpowered skateboard. In the event of wireless interference, loss of brakes, or battery fault, you may need to rely on skating techniques like footbraking or sliding to stop.

Warning: Avoid Water

Do not ride on wet or icy pavement. Any amount of water has the potential to damage the board's electronics, and water damage is not covered under warranty. Riding on wet or icy pavement is extremely dangerous due to the potential for losing traction and control.

Warning: Pinch Points

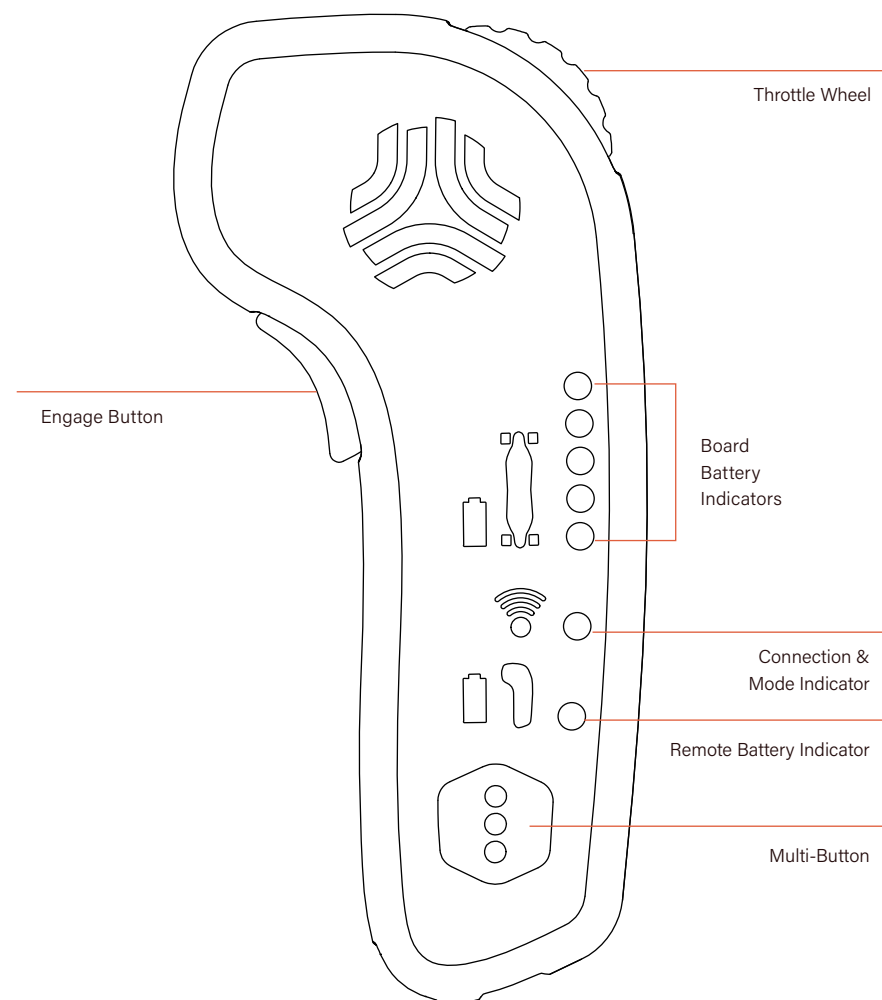
Keep fingers, hair, and clothing away from belts, motors, wheels, and all moving parts.

Warning: Risk of Electric Shock

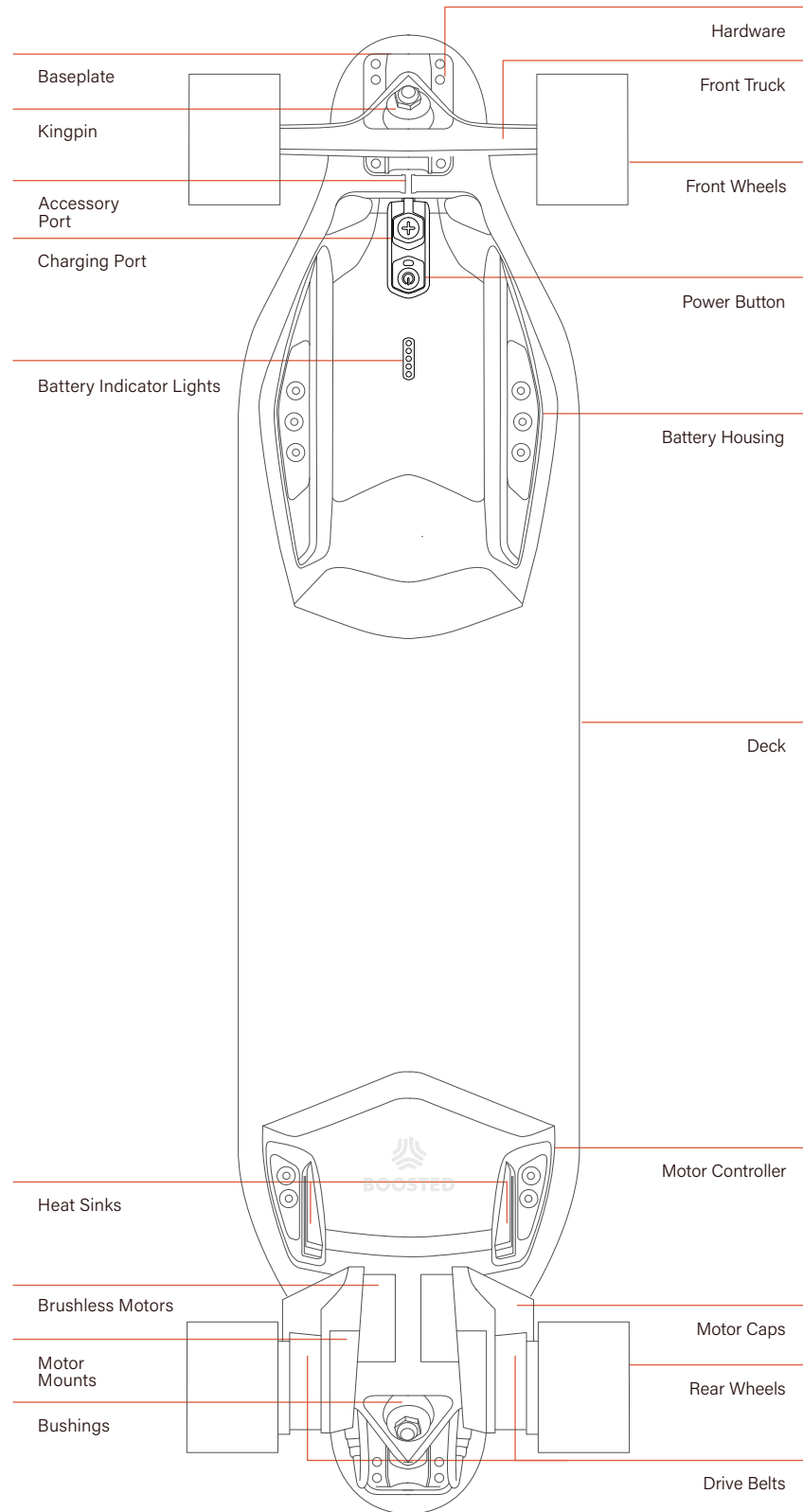
Do not open or tamper with electronics housings which also voids the warranty.

Please ride responsibly and respect those around you. How you ride will determine how people view this new mode of transportation.

REMOTE GLOSSARY



BOARD GLOSSARY



PROPER PROTECTION/SAFETY

- Always wear a helmet.
- Find an open, flat area with clean pavement for your first ride.
- Read the warnings on the board and at the beginning of this manual. For more details on riding, check out the online tutorials at boostedboards.com/support.
- Other protective equipment is highly recommended (knee pads, long sleeves, wrist guards).

Avoid things that can cause loss of control or collision:

- | | |
|---------------|-------------------|
| Gravel | Larger Rocks |
| Water | Cracks |
| Steep Hills | Traffic |
| Downhill | Night Time |
| Tracks | Poor Visibility |
| Grates/Drains | Narrow Spaces |
| Wet Surfaces | Slippery Surfaces |
| Rain | Uneven Surfaces |
| Obstacles | |

RIDING BASICS

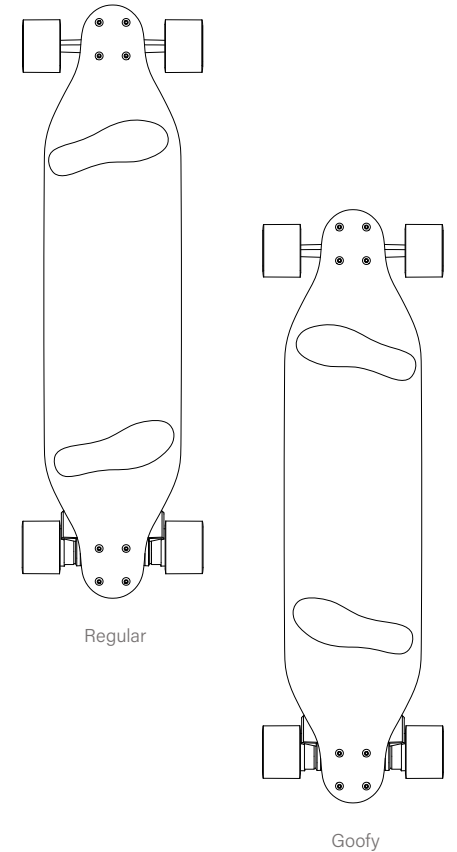
Some people can ride with either foot forward, but most have a dominant foot. To determine which is your dominant foot, stand on solid ground with both feet together and lean forward to the point of falling. Whichever foot you step forward with to catch yourself from falling is likely your dominant foot and the one you should lead with while riding. If you lead with your left foot, you ride "regular". If you lead with your right, you ride "goofy".

If you don't know which foot to choose, opt for whichever one allows you to face traffic when riding.

Stance

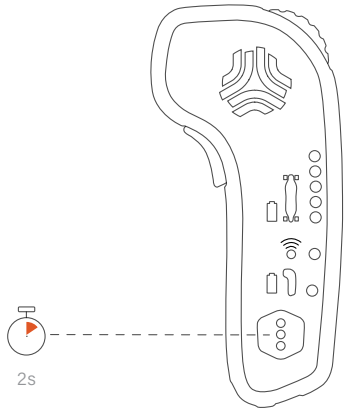
Your Boosted board has a lot of power. Follow these tips to ensure a safe riding experience:

- Keep a wide stance on the board.
- Keep a low center of gravity.
- Move the Throttle Wheel in small increments.
- Lean forward when accelerating.
- Lean backwards when braking.



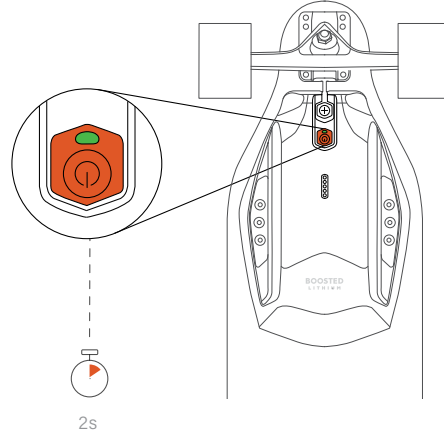
POWERING ON/OFF REMOTE

Press the Multi-Button for 2 seconds.



POWERING ON/OFF BOARD

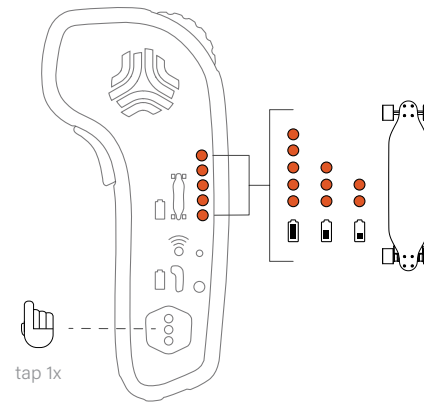
Press the Power Button for 2 seconds.



CHECKING BOARD BATTERY LIFE

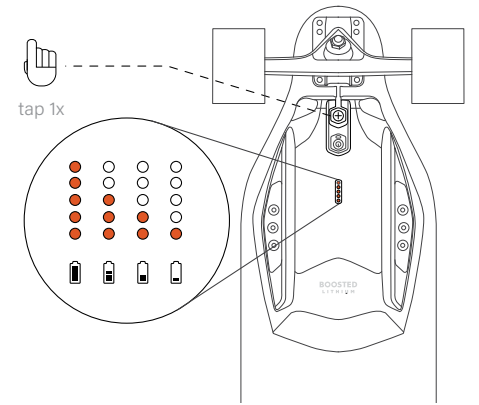
From the Remote

When the board is on, press the Multi-Button 1 time (1x). The board battery lights will indicate the power level.



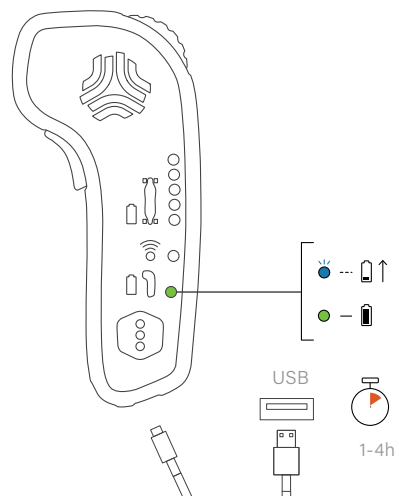
From the Board

When the board is on, press the Power Button 1 time (1x). The battery lights will indicate the power level.



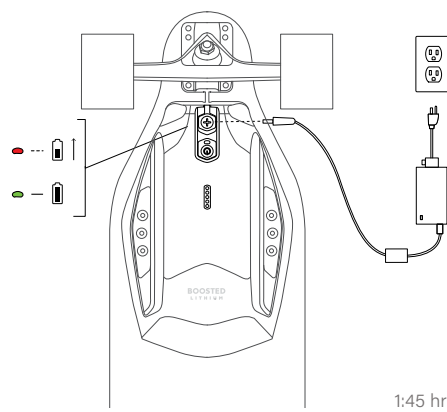
REMOTE CHARGING

The remote takes between 1-4 hours to charge from empty depending on your USB port capabilities. If the remote is charged every time the board is charged the remote should finish charging before the board.



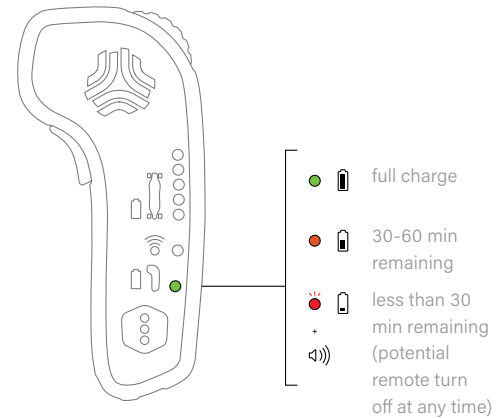
BOARD CHARGING

Warning: Never leave the board unattended while charging.



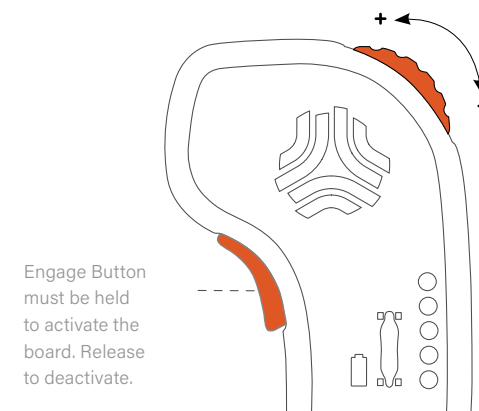
CHECKING REMOTE BATTERY LIFE

Warning: Never start a ride with a low remote battery indication.



OPERATING BOARD WITH THE REMOTE

Press and hold the Engage Button. Roll the Throttle Wheel forward to move the board forward. Roll the Throttle Wheel back to brake and reverse.

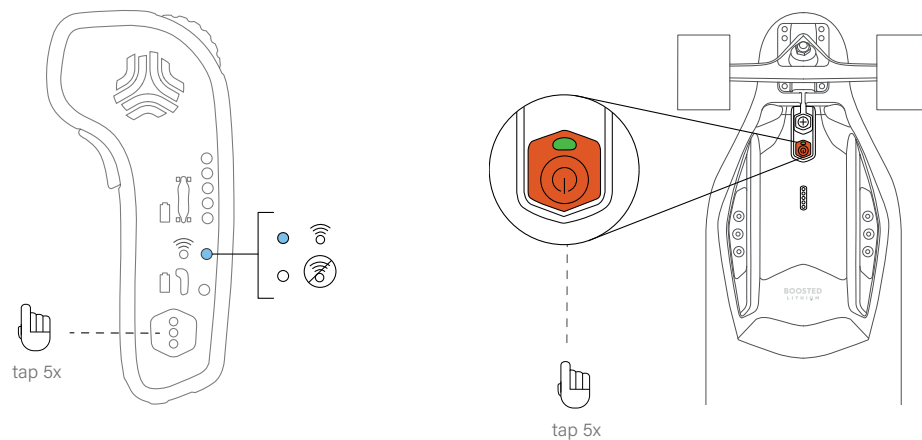


Engage Button must be held to activate the board. Release to deactivate.

CHECKING REMOTE-BOARD PAIRING

The Connection and Mode Indicator will turn solid blue when the board is paired. If the indicator is not lit, check that the board is powered on. If the light is still not lit, press the Multi-Button on the remote 5 times (5x), followed by pressing the Power Button on

the board 5 times (5x) rapidly to pair your board. Your board and remote have already been paired prior to shipping, so you typically only need to do this when pairing to a new board or remote.

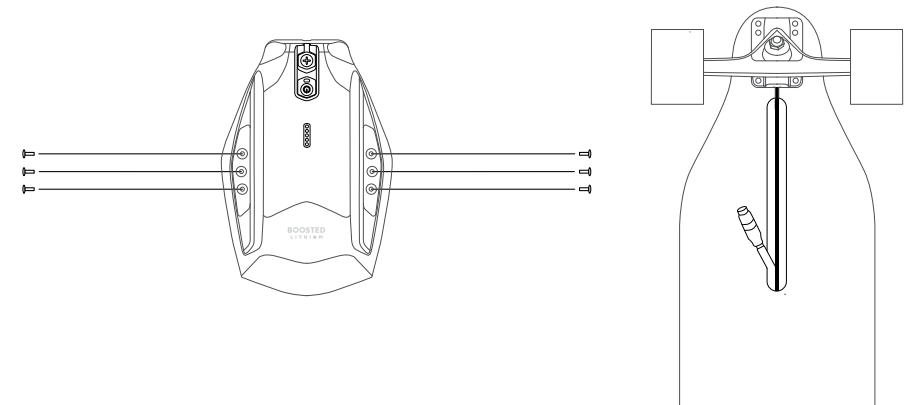


REMOVING BATTERY PACK (FOR MAINTENANCE ONLY)

- First ensure that the board is turned off.
- Place the board upside down on a flat surface.
- Using a 4mm hex wrench, remove the six bolts fastening the battery pack to the deck.
- Lift the battery pack to reveal the connector between the deck and the battery pack.
- Using a pair of connector tools, carefully twist and pull the battery connector apart.

REPLACING BATTERY PACK

- To insert a new battery pack, align the grooves on both ends of the connector (board & battery pack).
- Insert, push together, and twist the two ends of the connector together.
- Use the battery connector tools to ensure a secure fit.
- Ensure the connector lays flat within the groove of the board side by side with the accessory wire.
- Replace and tighten the bolts with the hex wrench.



CHANGING RIDE MODE

This board ships in Beginner Mode. Before following the instructions below to switch modes, make sure you have mastered the use of the remote and board.

Beginner: limited acceleration, top speed of up to 11 mph, no hills.

Eco: moderate acceleration, top speed of up to 16 mph, small hills.

Expert: high acceleration, top speed of up to 20 mph, up to 20% grade hills.

Pro: extreme acceleration, top speed of up to 22 mph, up to 25% grade hills.

Hyper (Stealth Only): max acceleration, top speed of up to 24 mph, up to 25% grade hills.

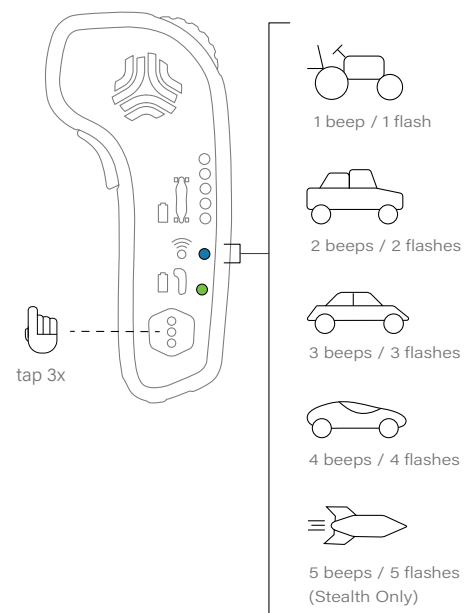
Warning: The Throttle Wheel is much more sensitive in Pro Mode and Hyper Mode.

To avoid getting thrown off the back of the board, follow these tips:

- Keep a wide stance on the board.
- Keep a low center of gravity.
- Move the Throttle Wheel in small increments.
- Lean forward when accelerating.
- Lean backwards when braking.

To Cycle Through Modes

Come to a full stop. Tap the Multi-Button 3 times (3x) rapidly to change modes. Count the LED flashes to identify which mode you are in. Count the AUDIO beeps to identify which mode you are in (1 beep, 2 beeps, 3 beeps).



MORE INFORMATION ONLINE

This manual is intended for someone with some skateboarding experience to get started. For more advanced riding techniques, maintenance tips, or more detailed tutorials on learning how to ride, please visit boostedboards.com/support or youtube.com/boostedboards.

WARNINGS & SAFETY INFORMATION

This equipment has been tested and found to comply with the limits for a Class B digital device, pursuant to part 15 of the FCC Rules. These limits are designed to provide reasonable protection against harmful interference in a residential installation. This equipment generates, uses, and can radiate radio frequency energy. If not installed and used in accordance with the instructions, it may cause harmful interference to radio communications. However, there is no guarantee that interference will not occur in a particular installation.

If this equipment does cause harmful interference to radio or television reception, which can be determined by turning the equipment off and on, the user is encouraged to try to correct the interference by one or more of the following measures:

- Reorient or relocate the receiving antenna.
- Increase the separation between the equipment and receiver.
- Connect the equipment into an outlet on a circuit different from that to which the receiver is connected.
- Consult the dealer or an experienced radio/TV technician for help.
- Prolonged exposure to UV rays, rain and the elements may damage the enclosure materials. Store indoors when not in use.

BATTERY SAFETY & HANDLING INFORMATION

Caution

- Risk of explosion if battery is replaced by an incorrect type. Dispose of used batteries according to instructions.

Warning

- Failure to follow these safety instructions could result in fire, electric shock, or other injury or damage to the skateboard and remote or other property.

Important Safety and Handling Information

Do not attempt to disassemble the product without consulting Boosted's service department. Should your unit need service, contact Boosted Support at support@boostedboards.com.

- Changes or modifications made to this product not expressly approved by Boosted may void the user's warranty.
- Boosted Model S3 Skateboards are intended only for use with Boosted Model B2 series batteries.
- Do not shock the battery by dropping it or throwing it.
- Always keep the battery out of reach of infants or small children.
- Never expose this product or the battery to any liquids.
- Never throw the battery into a fire, as that could cause the battery to explode.
- Never short-circuit the battery by bringing the connector terminals in contact with another metal object. This could cause personal injury or fire and could also damage the battery.

Your device contains an internal rechargeable lithium-ion battery which may present a risk of fire or chemical burn if mistreated. Do not charge or use the unit in a car or similar place where the inside temperature may be over 40°C/104°F.

Battery Charging Information

The charger supplied with the electric skateboard should be regularly examined for damage to the cord, plug, enclosure, and other parts. In the event of such damage, the skateboard must not be charged until the charger has been repaired or replaced.

Unplug the charger and disconnect it from the skateboard when not in use.

Caution

- Only use the dedicated charger provided for this unit. For indoor use only.
- Do not expose the charger to liquid, moisture or extreme humidity.
- Do not charge Boosted Model S3 Skateboard or Boosted Model R2 remote outdoors or in the rain.

Warning

- Power cord is used as a disconnection device. To fully de-energize equipment for service, disconnect the charger power cord.
- Stop charging the skateboard and/or remote if charging isn't completed within the specified time.
- Stop charging the skateboard and/or remote if the batteries become abnormally hot, show signs of odor, discoloration, deformation, or if abnormal conditions are detected during use, charge, or storage.
- Do not charge the skateboard and/or remote if the battery enclosure becomes cracked, swollen, or shows any other signs of misuse. Discontinue use immediately and promptly dispose of unit.

PRODUCT & BATTERY DISPOSAL INFORMATION

- Your device should not be placed in municipal waste. Please check local regulations for proper disposal of electronic products.
- If this unit shows any type of damage, such as bulging, swelling, or disfigurement, discontinue use and immediately contact Boosted Support by calling +1 (650) 933-5151.
- Dispose of used batteries in accordance with the prevailing community regulations that apply to the disposal of batteries.
- Never dispose of used batteries with other ordinary solid wastes.
- Batteries contain toxic substances.

Disclaimer

Prior to using any Boosted product, we highly recommend that you research your local regulations and country specific laws. Ultimately, you are responsible for complying with all applicable laws and regulations and Boosted waives all liability relating to your use of Boosted products.

SAFETY & COMPLIANCE

Optimal Operating Environment

Temperature: 5°C - 40°C/41°F - 104°F
Humidity: 0% - 90%

Electrical Specifications

Charger Input:
100-240VAC, 50/60Hz,
2.0A (indoor use only)
Charger Output:
54.4V, 2.21A constant current,
120W max (indoor use only)
Model S3 Skateboard:
Rated input 54.4VDC, 2-5A
Model R2 Remote: 5VDC, 500mA

Product Weight

Board + Battery Pack:
15.32 lb with standard range battery pack,
16.98 lb with extended range battery pack
Standard Range Battery Pack: 3.3lb
Extended Range Battery Pack: 4.96lb

Product Dimensions

Board + Battery Pack:
11.3" x 38.0" x 5.7" (W x L x H)
Standard Range Battery Pack Only:
7.5" x 10.8" x 1.8" (W x L x H)
Extended Range Battery Pack Only:
7.5" x 11.4" x 2.3" (W x L x H)

Estimated Riding Range

Standard Range Battery Pack:
Up to 7 mi estimated range is based
on a total load of 176 lbs, in Eco Mode,
on a smooth, flat surface with no wind.
Extended range battery pack:
Up to 14 mi estimated range is based on a total load of 176
lbs, in Eco Mode, on a smooth, flat surface with no wind.

Top Speed

Boosted Stealth: Up to 24 mph estimated top speed
is based on a smooth, flat surface with no wind.
Boosted Plus: Up to 22 mph estimated top speed is
based on a smooth, flat surface with no wind.

Hill Grade

Tests performed with a total load of 170 lbs, on a 25% incline.

Environmental Protection

Boosted contributes to recycling and disposal costs where
applicable. Electrical and electronic equipment, batteries,
accumulators and packaging material should not be disposed
of with household waste. Please recycle where facilities
exist. Check with your Local Authority for recycling advice.



WARRANTY

To review the Boosted, Inc. Return and Warranty
Policy, please go to [www.boostedboards.com/
terms-and-conditions/return-warranty](http://www.boostedboards.com/terms-and-conditions/return-warranty).

For all return shipping: Please keep your shipping
box. The warranty does not include damage from
return shipping in insufficient packaging.

For any concerns regarding your board, please contact
Boosted Support by going to www.boostedboards.com,
[or by emailing service@boostedboards.com](mailto:service@boostedboards.com).

Boosted Support can also be reached
by calling: +1 (650) 933-5151.

ADVERTENCIA: LEE ESTE MENSAJE ANTES DE SALIR A RODAR

Tu monopatín puede apagarse y los frenos pueden dejar de funcionar en cualquier momento si hay interferencias de radio entre el mando y el monopatín, se acaba la batería del mando, sueltas el gatillo involuntariamente, frenas cuando la batería esté llena o por otros factores. Conduce tu Boosted solo a velocidades o en cuestas donde te sentirías cómodo con el monopatín apagado y sin frenos.

Frenar cuesta abajo con la batería llena hará que el monopatín se apague y los frenos dejen de funcionar temporalmente, ya que el frenado regenerativo sobrecarga la batería. Para avisarte, el mando emitirá un pitido y los frenos se desactivarán. Detente de manera segura girando o frenando con el pie y circula con el monopatín en llano o cuesta arriba para gastar batería antes de volver a rodar cuesta abajo.

En los modos mas altos, la rueda del acelerador es extremadamente sensible. Esto hace que el monopatín responda rápidamente y sea más divertido, pero los cambios rápidos o repentinos pueden hacer que te caigas con facilidad. Cuando utilices estos modos, empieza moviéndote hacia delante lo más despacio posible.

Circular la monopatín por cuestas o a gran velocidad puede ser muy peligroso, ya que las caídas pueden causar lesiones graves. Incluso si tienes mucha experiencia, ten mucho cuidado al rular con tu monopatín.

Los coches y otros vehículos pueden matarte, así que presta mucha atención a tu entorno cuando haya vehículos cerca. Sé precavido y asume que los otros vehículos no pueden verte. Recuerda que tu monopatín puede apagarse y los frenos pueden dejar de funcionar en cualquier momento. Ten en cuenta las leyes sobre uso del monopatín en carreteras públicas, carriles bici, aceras u otros sitios donde quieras usarla.

Protege tu monopatín. Hemos diseñado el monopatín para absorber los golpes y las vibraciones sobre muchos terrenos diferentes. Sin embargo, bajar bordillos, saltar, golpear el asfalto con la parte delantera y otros impactos pueden dañar los componentes electrónicos internos con el tiempo. Te recomendamos encarecidamente que revises el monopatín y hagas un mantenimiento regular antes de usarlo.

Lleva casco siempre. También es muy recomendable usar otros elementos de seguridad (guantes, protecciones y ropa de manga larga).

Advertencia:

Cuando usas un monopatín Boosted, te expones a un riesgo de muerte o sufrir heridas graves debido a pérdidas de control o de frenos, choques y caídas. Para utilizarlo de manera segura, debes leer y respetar todas las advertencias e instrucciones de este manual.

Advertencia:

Usa un casco siempre que vayas en en monopatín. Nunca te metas por agua o superficies húmedas y evita la lluvia, los terrenos resbaladizos, desiguales o con grietas y las cuestas pronunciadas. No patines en medio del tráfico o en vías de tren, ni sobre grava, piedras sueltas u otros obstáculos que puedan hacerte perder adherencia. Evita utilizar el monopatín de noche, en zonas con poca visibilidad o en espacios estrechos.

Advertencia:

No uses tu monopatín Boosted en entornos, cuestas o a velocidades en los que no podrías controlar con seguridad un monopatín sin motor. Si hay una interferencia inalámbrica o la batería o los frenos fallan, puede que tengas que usar técnicas de skate como frenar con un pie en el suelo o derrapando.

Advertencia: Evita el agua

Evita pasar sobre superficies húmedas o con hielo. El agua, incluso si es poca, puede dañar los componentes electrónicos del monopatín, y la garantía no cubre los daños por humedad. Usar el monopatín sobre superficies húmedas o con hielo es extremadamente peligroso, ya que puedes perder la adherencia y el control.

Advertencia: Puntos de pellizco

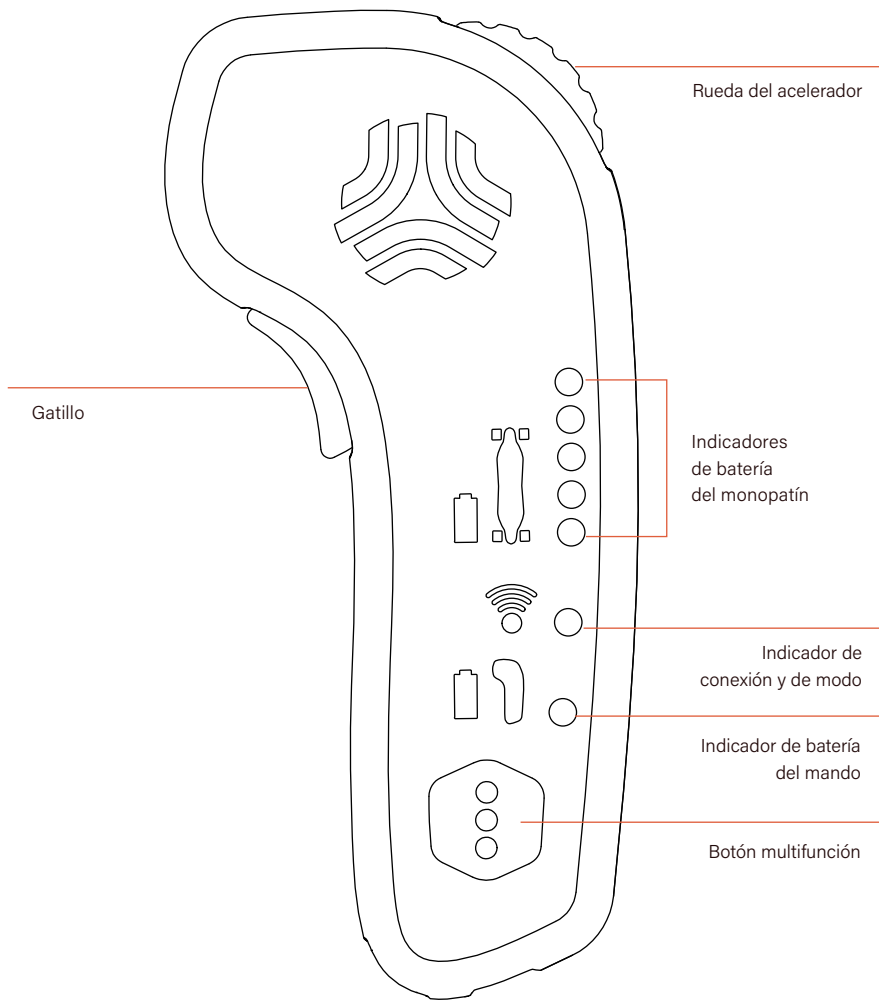
Mantén los dedos, el pelo y la ropa alejados de las correas, los motores, las ruedas y las partes móviles en general.

Advertencia: Riesgo de descarga eléctrica

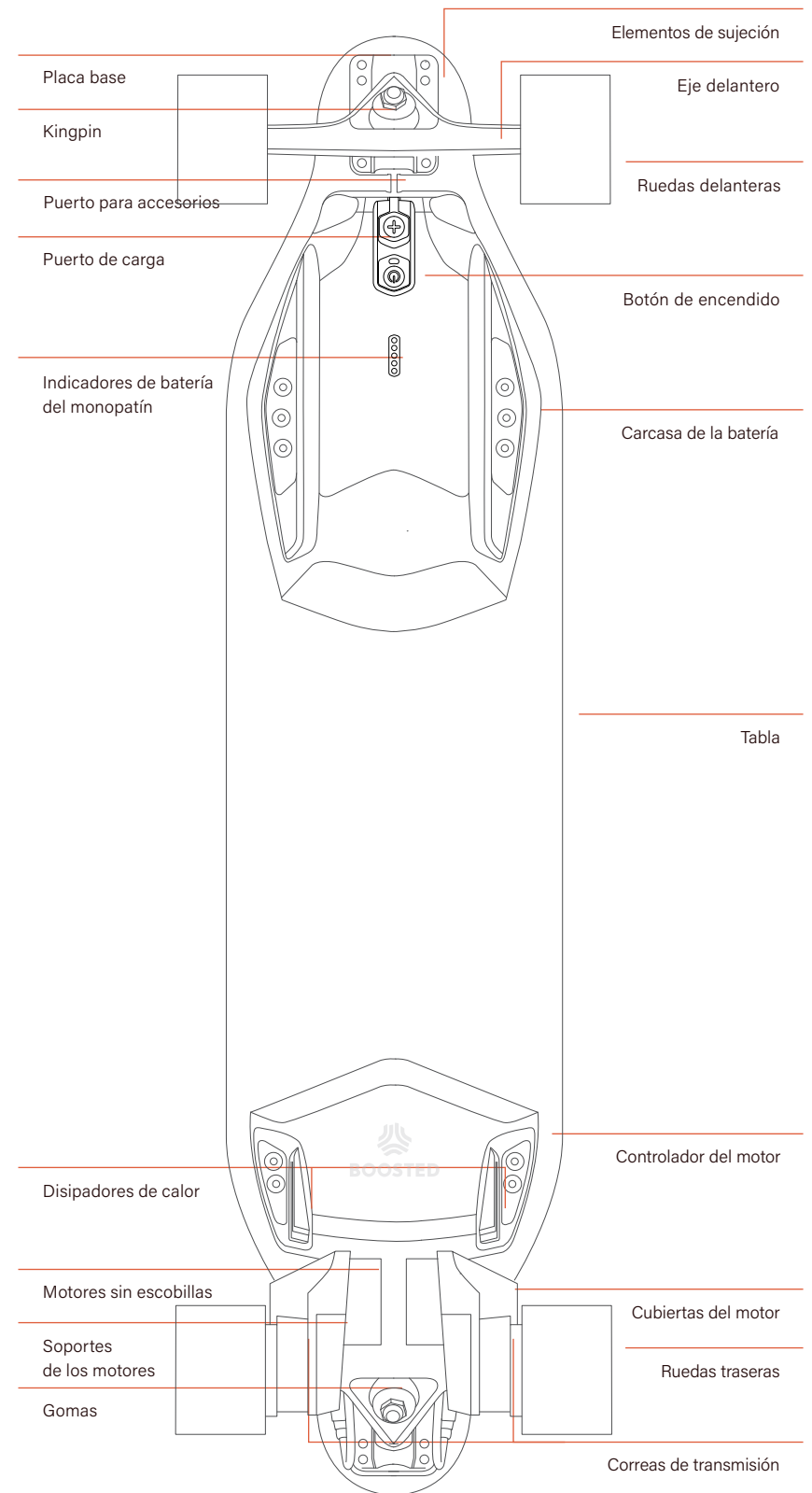
No abras o manipules las carcasas de los componentes electrónicos. Además, hacer esto anulará la garantía.

Usa el monopatín de manera responsable y respeta a los que están a tu alrededor. Tu manera de conducir determinará la opinión de otras personas sobre este nuevo modo de transporte.

GLOSARIO DEL MANDO



GLOSARIO DEL MONOPATÍN



SEGURIDAD Y PROTECCIÓN

- Usa casco siempre.
- La primera vez que utilices el monopatín, busca una zona abierta, llana y de superficie regular.
- Lee las advertencias sobre el monopatín al principio de este manual. Para más información sobre cómo usar el monopatín, consulta los tutoriales en línea en boostedboards.com/support.
- Es muy recomendable usar otros elementos de protección (rodilleras, ropa de manga larga, muñequeras).

Evita las cosas que puedan provocar pérdidas de control o choques:

Grava	Piedras
Agua	Grietas
Cuesta pronunciadas	Tráfico
Ir cuesta abajo	Conducir de noche
Vías de tren	Visibilidad limitada
Rejillas y alcantarillas	Espacios estrechos
Superficies húmedas	Terrenos resbaladizos
Lluvia	Terrenos desiguales
Obstáculos	

CONCEPTOS BÁSICOS PARA IR EN MONOPATÍN

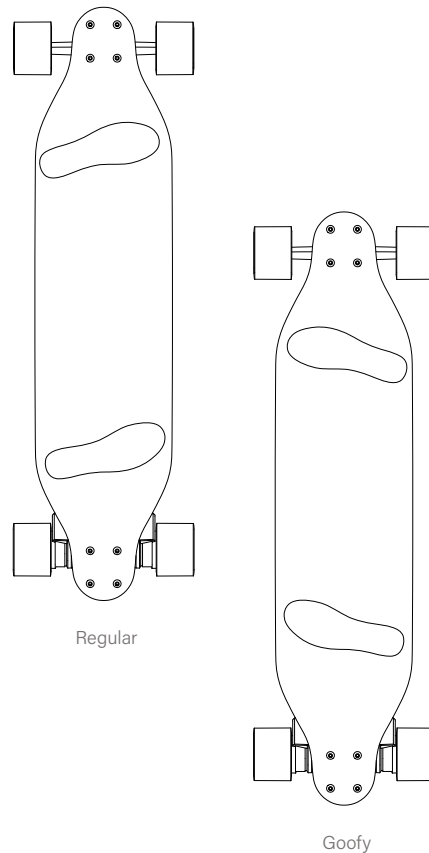
Algunas personas pueden montar en monopatín con cualquiera de los pies adelantado, pero la mayoría tiene un pie dominante. Para saber cuál es el tuyo, ponte de pie sobre un terreno sólido con ambos pies juntos e inclínate hacia delante hasta que pierdas el equilibrio. Probablemente, el pie que uses primero para no caerte será el dominante, esto es, el que llevarás delante al patinar. Si tu pie dominante es el izquierdo, eres «regular». Si es el derecho, eres «goofy».

Si no tienes claro qué pie escoger, quédate con el que te permita circular de cara al tráfico.

Posición

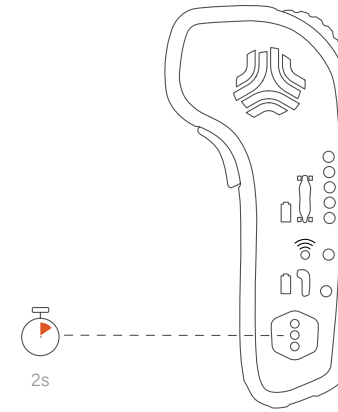
Tu monopatín Boosted es muy potente. Para montar en él de manera segura, sigue estos consejos:

- Mantén los pies ampliamente separados en la tabla.
- Mantén bajo tu centro de gravedad.
- Mueve la rueda del acelerador poco a poco.
- Inclínate hacia delante cuando aceleres.
- Inclínate hacia atrás cuando frenes.



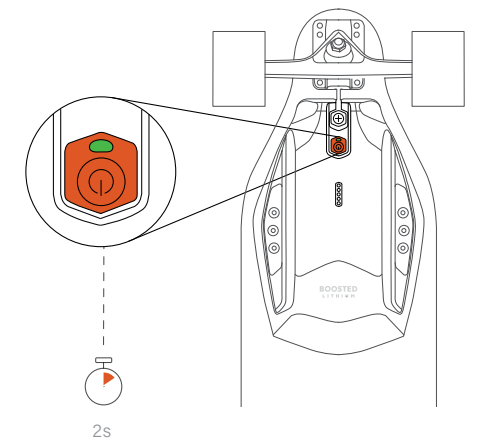
CÓMO ENCENDER Y APAGAR EL MANDO

Pulsa el botón multifunción durante 2 segundos.



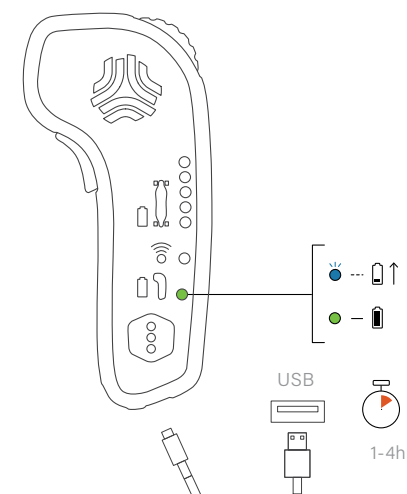
CÓMO ENCENDER Y APAGAR EL MONOPATÍN

Pulsa el botón de encendido durante 2 segundos.



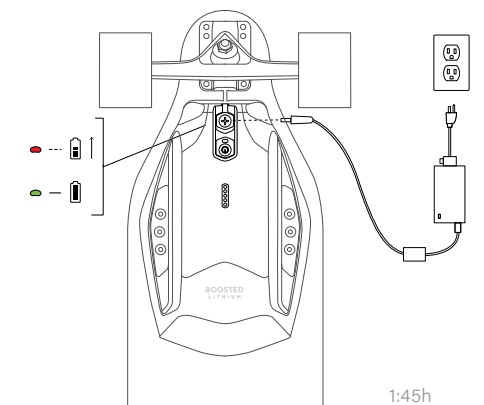
CÓMO CARGAR EL MANDO

El mando tarda de 1 a 4 horas en cargarse desde el vacío, según la capacidad de tu puerto USB. Si el mando se carga cada vez que se carga el monopatín, el mando debería terminar de cargarse antes del monopatín.



CÓMO CARGAR EL MONOPATÍN

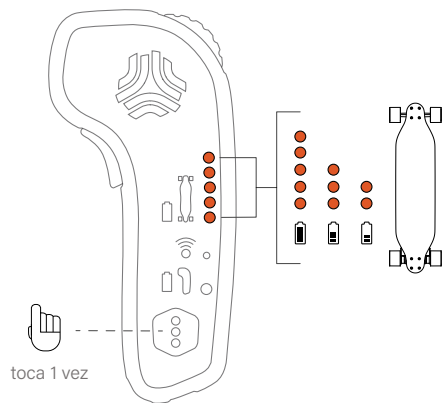
Advertencia: nunca dejes el monopatín cargando sin vigilancia.



CÓMO COMPROBAR LA BATERÍA DEL MONOPATÍN

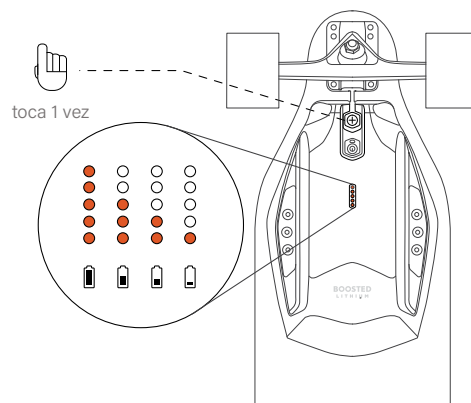
Desde el mando

Pulsa el botón multifunción 1 vez después de haber conectado el mando al monopatín. Las luces te indicarán el nivel de batería.



Desde el monopatín

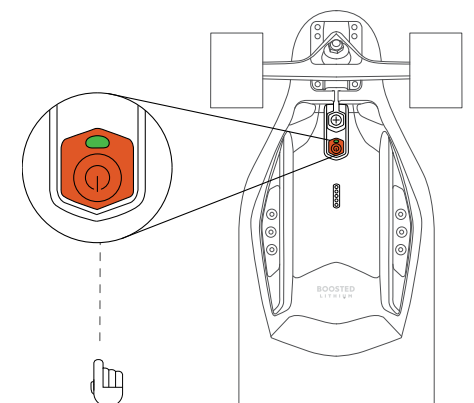
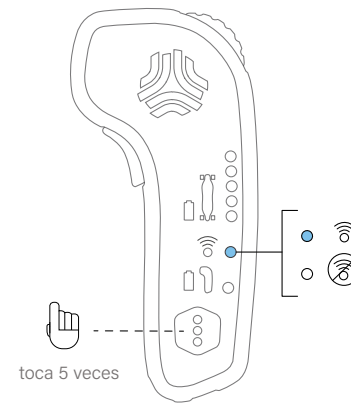
Con el monopatín encendido, presiona 1 vez el botón de encendido. Las luces de la tabla te indicarán el nivel de batería.



CÓMO COMPROBAR LA CONEXIÓN ENTRE EL MONOPATÍN Y EL MANDO

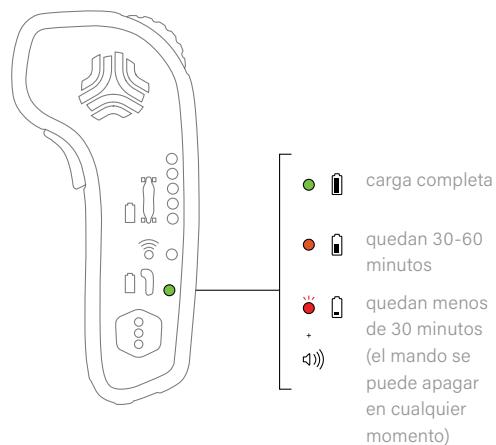
El indicador de conexión y modo se iluminará en azul cuando el monopatín esté conectado. Si el indicador está apagado, comprueba que el monopatín esté encendido. Si aún así no se enciende, presiona el botón multifunción del mando 5 veces y después presiona rápidamente el

botón de encendido del monopatín otras 5 veces para conectarlo. Normalmente, el monopatín y el mando vienen conectados de fábrica, así que solo necesitarás hacer esto cuando conectes un monopatín o un mando nuevos.



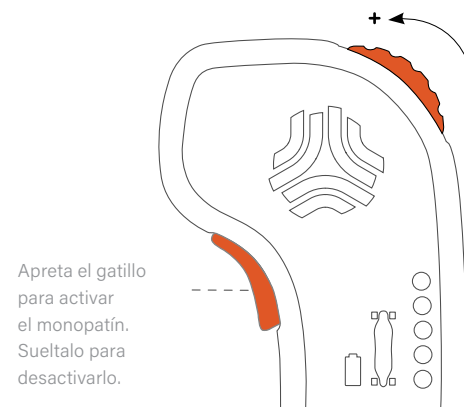
CÓMO COMPROBAR LA BATERÍA DEL MANDO

Advertencia: no salgas con el monopatín si queda poca batería en el mando.



CÓMO MANEJAR EL MONOPATÍN CON EL MANDO

Presiona el gatillo y manténlo pulsado. Rueda el acelerador hacia adelante para avanzar el monopatín. Rueda el acelerador hacia atrás para frenar y andar en marcha atrás.



CÓMO CAMBIAR EL MODO DEL MONOPATÍN

Por defecto, el monopatín estará en modo Principiante. Antes de seguir las instrucciones a continuación para cambiar de modo, asegúrate de que ya controlas el uso del mando y el monopatín.

Principiante

Aceleración limitada, velocidad máxima de 18 km/h, no apto para cuestas.

Eco

Aceleración moderada, velocidad máxima de 26 km/h, cuestas pequeñas.

Experto

Aceleración alta, velocidad máxima de 32 km/h, cuestas con hasta un 20 % de pendiente.

Pro

Aceleración extrema, velocidad máxima de 35 km/h, cuestas con hasta un 25 % de pendiente.

Hyper (Solamente Stealth)

Aceleración máxima, velocidad máxima de 38 km/h, cuestas con hasta un 25 % de pendiente.

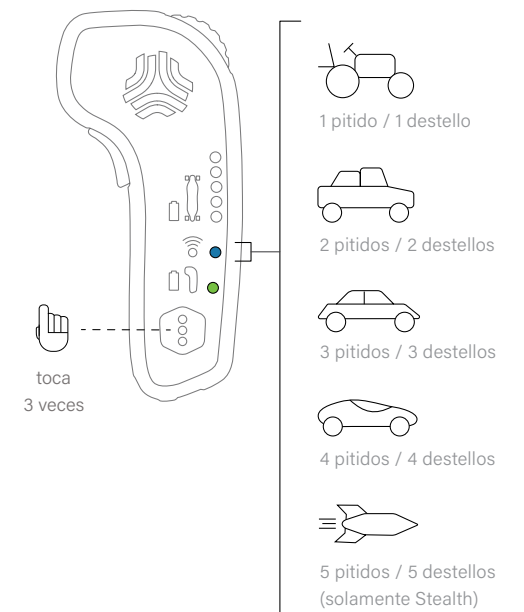
Advertencia: El acelerador es mucho más sensible en los modos Pro e Hyper.

Para evitar que caigas hacia atrás, sigue estos consejos:

- Mantén los pies ampliamente separados en la tabla.
- Mantén bajo tu centro de gravedad.
- Mueve la rueda del acelerador poco a poco.
- Inclínate hacia delante cuando aceleres.
- Inclínate hacia atrás cuando frenes.

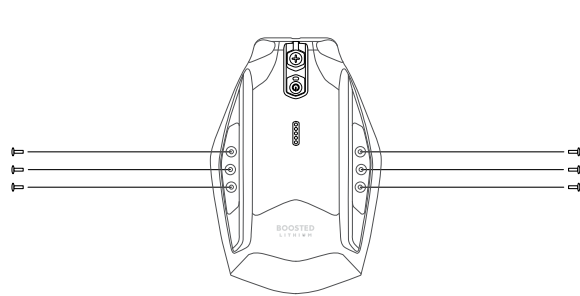
Cómo pasar de un modo a otro

Parate completamente. Toca el botón multifunción 3 veces rápidamente. Cuenta los destellos LED para identificar en qué modo estás. Cuenta los pitidos para identificar en qué modo estás. (1, 2, 3, 4 o 5 pitidos).



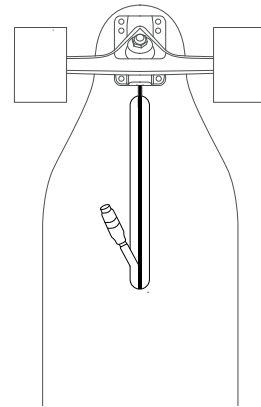
CÓMO RETIRAR LA BATERÍA

En primer lugar, asegúrate de que el monopatín está apagado. Colócalo boca abajo sobre una superficie plana. Con una llave hexagonal de 4 mm, retira los seis tornillos que fijan la batería a la tabla. Levanta la batería para poder ver el conector entre la batería y la tabla. Gira y retira el conector con precaución usando unas pinzas para conectores.



CÓMO CAMBIAR LA BATERÍA

Para insertar una nueva batería, alinea las ranuras en ambos extremos del conector (esto es, en la tabla y en la batería). Junta ambos lados del conector, presiónalos y gíralos. Usa la pinza para conectores de la batería para ajustarlos bien. Asegúrate de que el conector encaje en la ranura de la tabla, al lado del cable accesorio. Vuelve a colocar los tornillos en su lugar y apriétalos con la llave hexagonal.



MÁS INFORMACIÓN EN INTERNET

Este manual es una guía de inicio rápido para quienes ya tienen algo de experiencia con monopatines. Si quieres ver técnicas avanzadas de patinaje, consejos de mantenimiento o tutoriales más detallados para aprender a deslizarte con soltura, visita boostedboards.com/support o youtube.com/boostedboards.

ADVERTENCIAS E INFORMACIÓN DE SEGURIDAD

Este equipo ha sido probado y declarado en conformidad con los límites establecidos para un dispositivo digital de Clase B, según la Sección 15 de las normas de la FCC. Estos límites se han diseñado para proporcionar una protección razonable ante interferencias perjudiciales en una instalación residencial. Este equipo genera, utiliza y puede irradiar energía de radiofrecuencia. Si no se instala y utiliza de acuerdo con las instrucciones, puede provocar interferencias perjudiciales en las comunicaciones de radio. No obstante, no hay ninguna garantía de que no vaya a producir interferencias en una instalación determinada.

Si este equipo causa una interferencia perjudicial en la recepción de radio o televisión, lo cual puede determinarse apagando el equipo y encendiéndolo, es aconsejable que el usuario intente corregir la interferencia mediante una o varias de las siguientes medidas:

- Reorientar o reubicar la antena receptora.
- Aumentar la separación entre el equipo y el receptor.
- Conectar el equipo a una toma de alimentación en un circuito diferente al que está conectado el receptor.
- Consultar con el distribuidor o con un técnico especializado en radio y televisión.
- La exposición prolongada a los rayos UV, la lluvia y los elementos puede dañar los materiales de las carcasas. Almacenar bajo techo cuando no esté en uso.

INFORMACIÓN SOBRE SEGURIDAD Y MANEJO DE LA BATERÍA

Precaución

- Si la batería se reemplaza por un tipo incorrecto, hay riesgo de explosión. Deshazte de las baterías usadas según las instrucciones.

Advertencia

- No seguir estas instrucciones puede ocasionar incendios, descargas eléctricas, lesiones o daños a la monopatín y al mando u a otras propiedades.

Información importante sobre seguridad y manejo

No intentes desmontar el producto sin consultar al departamento de atención de Boosted. En caso de que tu monopatín necesite reparaciones, contacta con el equipo de atención de Boosted en support@boostedboards.com.

- Los cambios o modificaciones en este producto que no hayan sido aprobados expresamente por Boosted pueden anular la garantía de usuario.
- Las monopatines Boosted modelo S3 están diseñados para usarse exclusivamente con baterías Boosted modelo B2.
- No dejes caer la batería ni la tires.
- Mantén siempre la batería fuera del alcance de los niños.
- Nunca expongas este producto ni la batería a ningún tipo de líquido.
- Nunca arrojes la batería al fuego, ya que podría explotar.
- Nunca cortocircuites la batería al tocar los terminales del conector con objetos metálicos. Esto puede causar incendios o lesiones, así como dañar la batería.

Este dispositivo contiene una batería interna recargable de iones de litio. Si se usa de manera inapropiada, puede ocasionar incendios o quemaduras químicas. No cargues ni uses este equipo en un coche u otro lugar donde la temperatura interior pueda superar los 40 °C.

Información sobre la carga de la batería

El cargador incluido con el monopatín eléctrico debe examinarse regularmente en busca de daños en el cable, la clavija, la carcasa u otras partes. Si se detectan daños, no debe cargarse el monopatín hasta que se haya reparado o sustituido el cargador.

Cuando no estés usando el cargador, desenchúfalo y desconéctalo del monopatín.

Precaución

- Usa únicamente el cargador diseñado especialmente para este equipo.
- Solo para uso en interiores. No expongas el cargador a líquidos o humedades (incluyendo la humedad ambiental extrema).
- No cargues el monopatín Boosted Modelo S3 o el mando Boosted Modelo R2 en el exterior o bajo la lluvia.

Advertencia

- El cable de alimentación se usa como dispositivo de desconexión. Para desconectar totalmente el equipo de cara a reparaciones, desconecta el cable de alimentación del cargador.
- Si el monopatín o el mando no se han cargado dentro del límite de tiempo especificado, desenchúfalos.
- Deja de cargar el monopatín o el mando si las baterías se calientan en exceso, desprenden mal olor, están descoloridas o deformadas o si detectas alguna anomalía al usarlas, cargarlas o almacenarlas.
- No cargues el monopatín o el mando si la carcasa de la batería tiene grietas, está hinchada o presenta otras señales de uso inadecuado. Deja de usarla inmediatamente y descártala. **Deja de usarla inmediatamente y descártala.**

INFORMACIÓN SOBRE LA ELIMINACIÓN DEL PRODUCTO Y LA BATERÍA

- Este dispositivo no debe arrojarse a la basura. Comprueba las normativas locales para eliminar correctamente los productos electrónicos.
- Si el equipo muestra algún daño, como bultos, zonas hinchadas u otras deformaciones, deja de usarlo inmediatamente y contacta con atención al cliente en el +1 (650) 933-5151.
- Elimina las baterías usadas según las normas locales.
- Nunca tires las baterías usadas a la basura.
- Las baterías contienen sustancias tóxicas.

Aviso

Antes de usar los productos de Boosted, te recomendamos encarecidamente que conozcas las leyes y normas de tu país y localidad. En última instancia, tú eres el responsable de cumplir con las leyes y regulaciones. Boosted rechaza cualquier responsabilidad relacionada con el uso de sus productos.

SEGURIDAD Y CONFORMIDAD**Entorno óptimo de funcionamiento**

Temperatura: 5 °C - 40 °C
 Humedad: 0 % - 90 %

Especificaciones eléctricas

Entrada del cargador: 100-240 V, 50/60 Hz, 2,0 A (solo para uso en interiores)
 Salida del cargador: 54,4 V, 2,21 A de corriente continua, 120 W máximo (solo para uso en interiores)
 Monopatín modelo S3: entrada nominal 54,4 V, 2-5 A
 Mando del modelo R2: 5 V, 500 mA

Peso

Monopatín + batería: 6,95 kg con rango estándar y 7,7 kg con rango extendido
 Batería de rango estándar: 1,5 kg
 Batería de rango extendido: 2,25 kg

Dimensiones

Monopatín + batería: 28,7 x 96,5 x 14,5 cm (ancho x largo x alto)
 Solo la batería de rango estándar: 19,1 x 27,4 x 4,6 cm (ancho x largo x alto)
 Solo la batería de rango extendido: 19,1 x 29 x 5,8 cm (ancho x largo x alto)

Rango de autonomía estimado

Batería estándar: hasta 11 km con una carga total 80 kg, en modo Eco, sin viento y sobre una superficie regular y llana.
 Batería de rango extendido: hasta 22 km con una carga total de 80 kg, en modo Eco, sin viento y sobre una superficie regular y llana.

Velocidad máxima

Boosted Stealth: Hasta 38 km/h sin viento y sobre una superficie regular y llana.
 Boosted Plus: Hasta 35 km/h sin viento y sobre una superficie regular y llana.

Grado de pendiente

Pruebas realizadas con una carga total de 80 kg y un 25 % de pendiente.

Protección medioambiental

Boosted contribuye a los costes de reciclaje y eliminación donde se dé el caso. No debes deshacerte de los productos eléctricos y electrónicos, baterías, acumuladores o embalajes tirándolos a la basura de casa. Por favor, recíclalos siempre que sea posible. Infórmate en tu ayuntamiento sobre cómo hacerlo.

**GARANTÍA**

Para revisar la política de devoluciones y la garantía de Boosted, Inc., visita www.boostedboards.com/terms-and-conditions/return-warranty.

Para los envíos de devoluciones:

Guarda el embalaje original. La garantía no cubre los daños por envío de devoluciones con embalaje insuficiente.

Si tienes cualquier duda sobre tu monopatín, contacta con el servicio de soporte al cliente de Boosted en www.boostedboards.com o por correo electrónico en service@boostedboards.com.

También puedes contactar con el servicio de soporte al cliente de Boosted llamando al +1 (650) 933-5151.

AVERTISSEMENT : NE PAS RIDER SANS AVOIR LU CE MESSAGE

L'accélération et les freins de votre skateboard peuvent céder à n'importe quel moment en raison de nombreux facteurs : les interférences radio entre la télécommande et le skateboard, une batterie de télécommande vide, le fait de lâcher la gâchette, le fait de freiner quand la batterie est pleine et d'autres facteurs. Ne ridez votre skateboard qu'à des allures et sur des pentes sur lesquelles vous vous sentiriez à l'aise sans accélération ou freins.

Si vous freinez dans une descente avec une batterie pleine, le skateboard se désactivera et vous perdrez temporairement la puissance de freinage. Ceci permet d'éviter que les freins régénératifs surchargent la batterie. La télécommande émettra des bips sonores pour vous prévenir de l'imminente perte des freins. Arrêtez-vous de manière contrôlée en tournant ou en freinant avec le pied et roulez sur des surfaces plates ou des montées pour vider la batterie avant de descendre à nouveau une pente.

La molette d'accélérateur est très sensible dans les modes supérieurs. Bien que le skateboard soit extrêmement réactif et fun dans ces modes de skate, des commandes rapides ou impulsives de votre part peuvent également augmenter le risque de chutes. Familiarisez-vous donc avec ces deux modes en débutant de manière lente et prudente.

Une trop grande vitesse et des pentes peuvent être très dangereuses. Tomber dans de telles circonstances peut entraîner de graves blessures. Soyez donc particulièrement prudent lorsque vous ridez le skateboard, même si vous avez beaucoup d'expérience.

D'autres véhicules, comme les voitures, peuvent mettre votre vie en danger, restez donc très attentif quand vous vous en approchez. Soyez très prudent quand vous ridez et partez du principe que les autres ne vous voient pas. Gardez à l'esprit que votre skateboard peut perdre son accélération et ses freins à tout moment. Renseignez-vous sur les lois et les réglementations qui régissent l'utilisation de votre skateboard sur une voie publique, une piste cyclable, un trottoir ou tous les autres lieux où vous comptez l'utiliser.

Prenez soin de votre skateboard. Nous l'avons conçu de façon à ce qu'il puisse résister aux chocs et vibrations sur une grande variété de terrains. Néanmoins, rider sur les bordures de trottoirs, faire des sauts, lâcher le skateboard au sol et lui faire endurer d'autres événements à fort impact peuvent finir par abîmer les composants électroniques internes du skate. Nous vous recommandons vivement d'inspecter et d'entretenir régulièrement le skateboard avant de rider.

Portez toujours un casque. Tout autre équipement de sécurité (gants, genouillères, manches longues) est aussi fortement recommandé.

Avertissement :

Chaque fois que vous ridez sur un skateboard Boosted, une perte de contrôle, une perte de puissance de freinage, une collision ou une chute peut entraîner des blessures graves ou mortelles. Pour rider en toute sécurité, assurez-vous de lire et de respecter tous les avertissements et les instructions de ce manuel.

Avertissement :

Portez toujours un casque lorsque vous ridez. Ne ridez jamais dans de l'eau, sur des surfaces humides, sous la pluie, sur des surfaces glissantes ou irrégulières, sur des pentes raides, dans les voies de circulation, sur des crevasses, des voies ferrées, sur des graviers, sur des cailloux ou tout obstacle qui pourrait causer une perte de traction. Évitez la conduite de nuit, les zones à faible visibilité et les espaces étroits.

Avertissement :

Ne ridez pas un skateboard Boosted dans des environnements, sur des pentes ou à des vitesses où vous ne maîtrisez pas en toute sécurité un skateboard non motorisé. En cas d'interférence sur le réseau mobile, une perte des freins ou une panne de batterie, vous devrez peut-être recourir aux techniques de patinage comme le drop foot ou le power slide.

Avertissement : évitez l'eau

Ne ridez pas sur des surfaces mouillées ou gelées. N'importe quelle quantité d'eau peut abîmer l'électronique du skateboard, et les dommages créés par l'eau ne sont pas couverts par la garantie. L'utilisation du skateboard sur des surfaces mouillées ou gelées est particulièrement dangereuse. Vous pouvez facilement glisser ou perdre le contrôle de votre skate.

Avertissement : points de pincement

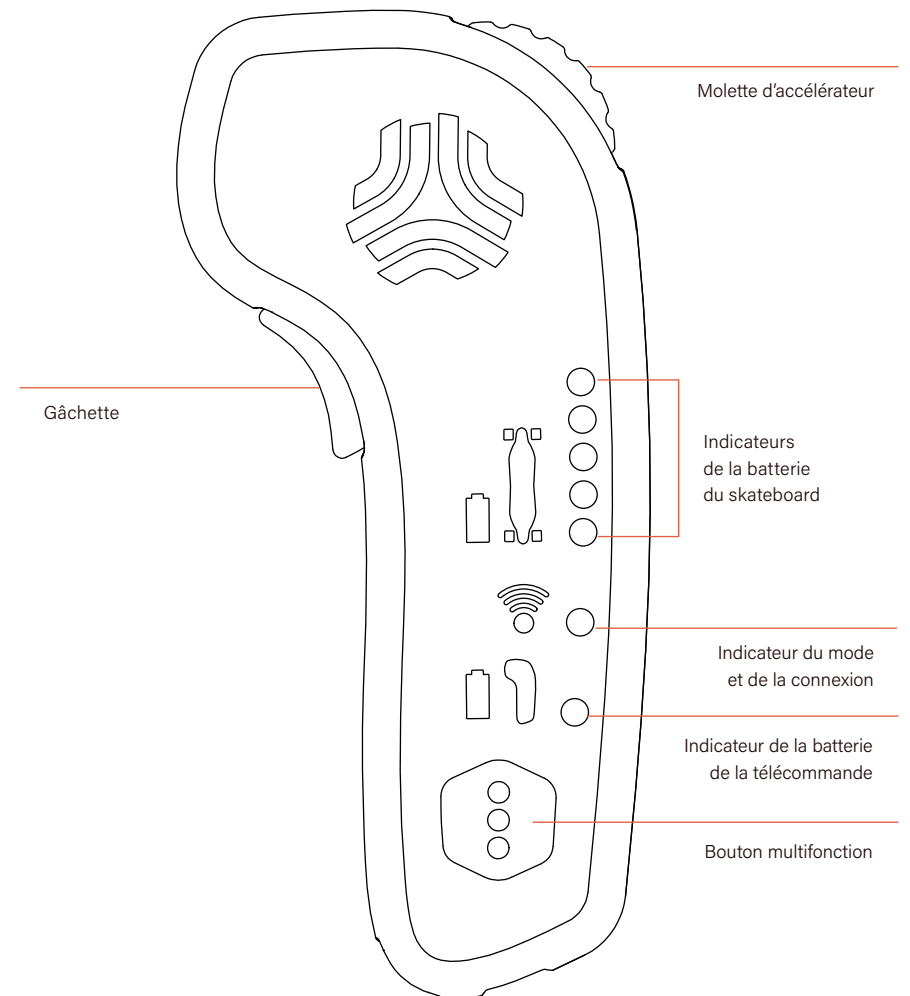
Gardez vos doigts, cheveux, et habits éloignés des courroies, moteurs, roues ainsi que de toutes les pièces mobiles.

Avertissement : risque d'électrocution

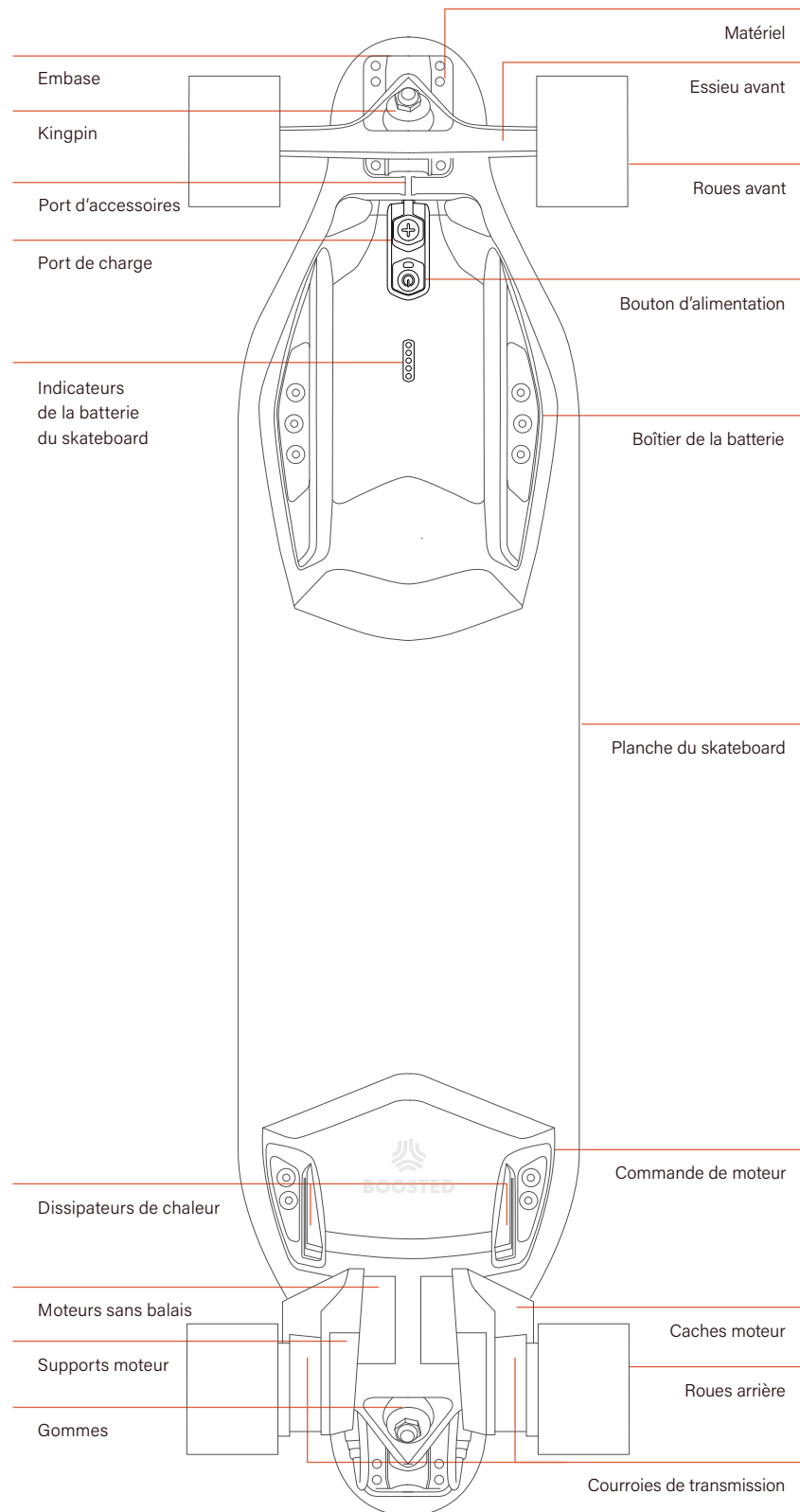
N'ouvrez ou n'altérez pas le boîtier électronique, ce qui annulerait aussi la garantie.

Ridez toujours de manière responsable et respectez ceux qui sont autour de vous. La façon dont vous ridez déterminera comment les gens perçoivent ce nouveau mode de transport.

GLOSSAIRE DE LA TÉLÉCOMMANDE



GLOSSAIRE DU SKATEBOARD



PROTECTION ADÉQUATE / SÉCURITÉ

- Portez toujours un casque.
- Pour votre premier ride, trouvez un espace ouvert et plat avec une surface propre.
- Lisez les avertissements sur le skateboard au début de ce manuel. Pour savoir comment rider, consultez les tutoriels en ligne sur boostedboards.com/support.
- Des équipements de sécurité sont fortement recommandés (genouillères, manches longues, protège-poignets).

Évitez les éléments qui peuvent provoquer la perte de contrôle ou une collision :

Gravier	Grosses pierres
Eau	Crevasses
Pentes raides	Voies de circulation
Descentes	Rider la nuit
Voies ferrées	Mauvaise visibilité
Grilles/Égouts	Espaces étroits
Surfaces irrégulières	Surfaces glissantes
Pluie	
Obstacles	

NOTIONS DE BASE POUR RIDER

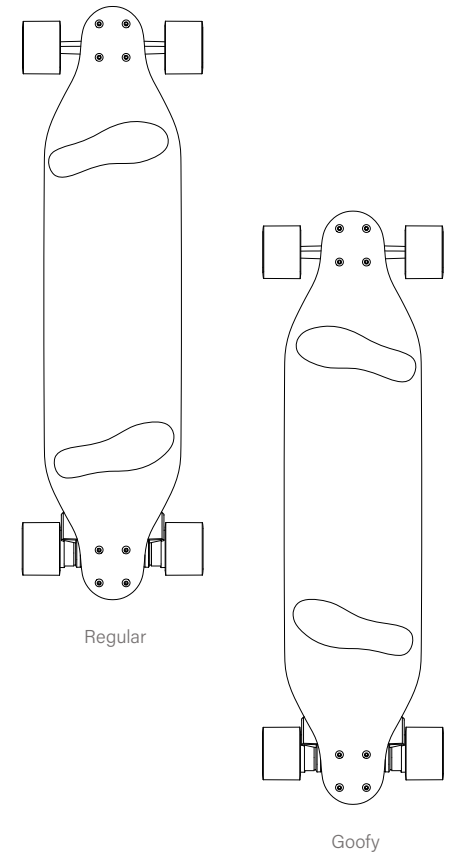
Certaines personnes peuvent rider avec n'importe quel pied à l'avant, mais on a pratiquement tous un pied dominant. Pour connaître votre pied dominant, placez vos deux pieds ensemble sur un sol solide et penchez-vous vers l'avant jusqu'au point de tomber. Le pied avec lequel vous avancez pour éviter de tomber est probablement votre pied dominant et celui que vous devriez placer en avant pour rider. Si votre pied gauche est votre pied dominant, vous êtes « regular ». Si votre pied droit est votre pied dominant, vous êtes « goofy ».

Si vous ne savez pas quel pied choisir, optez pour celui qui vous permet de faire face à la circulation lorsque vous ridez.

Position

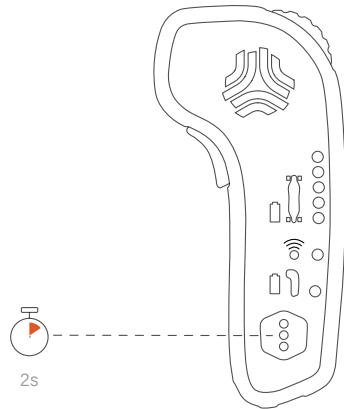
Votre skateboard Boosted a beaucoup de puissance. Voici des conseils pour vous assurer de rider en toute sécurité :

- Gardez les pieds largement écartés l'un de l'autre sur le skateboard.
- Conservez un centre de gravité bas.
- Tournez la roue de l'accélérateur par petits incréments.
- Penchez-vous vers l'avant lors de l'accélération.
- Penchez-vous en arrière lors du freinage.



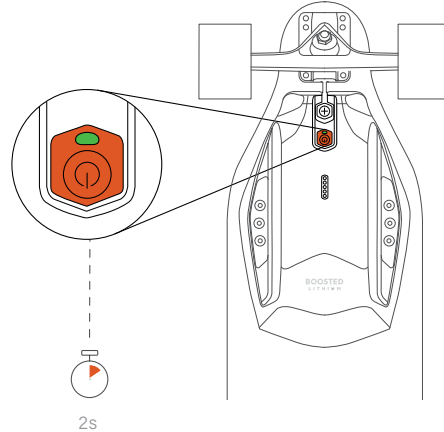
MISE EN TENSION/HORS TENSION DE LA TÉLÉCOMMANDE

Appuyez sur le bouton multifonction pendant 2 secondes.



MISE EN TENSION/HORS TENSION DU SKATEBOARD

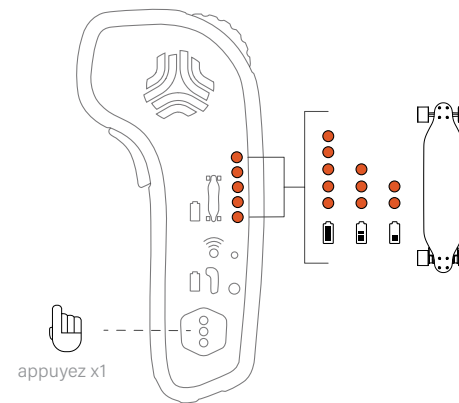
Appuyez sur le bouton d'alimentation pendant 2 secondes.



VÉRIFICATION DE LA DURÉE DE VIE DE LA BATTERIE DU SKATEBOARD

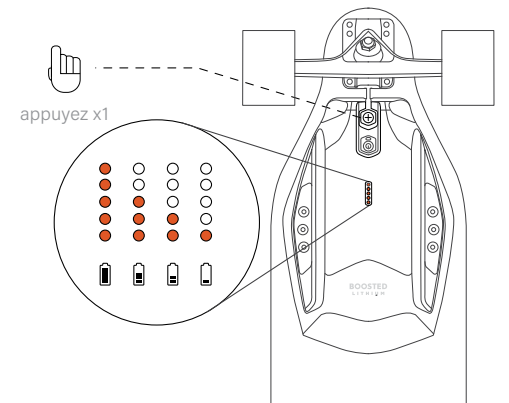
Depuis la télécommande

Appuyez sur le bouton multifonction 1 fois (x1), lorsque le skateboard est allumé. Les voyants indiqueront la durée de vie restante de la batterie du skateboard.



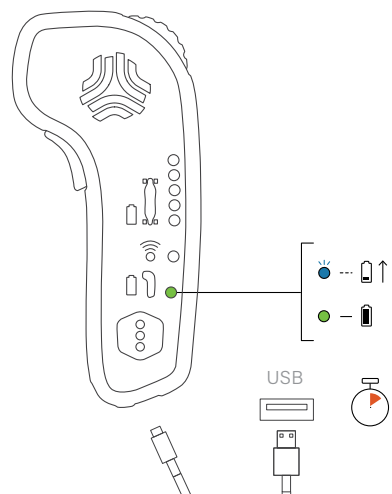
Depuis le skateboard

Lorsque le skateboard est allumé, appuyez sur le bouton marche 1 fois (x1). Les voyants du skateboard indiqueront le niveau de puissance.



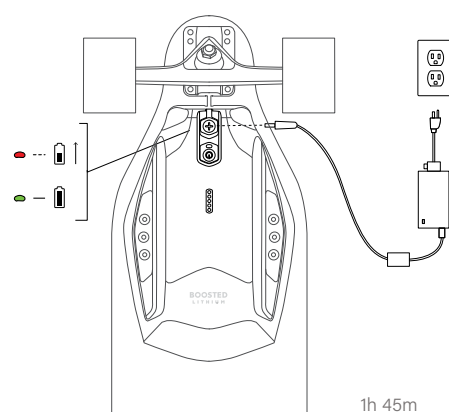
CHARGEMENT DE LA TÉLÉCOMMANDE

Selon la capacité de votre port USB, il faut entre 1-4 heures pour charger la télécommande quand sa batterie est vide.



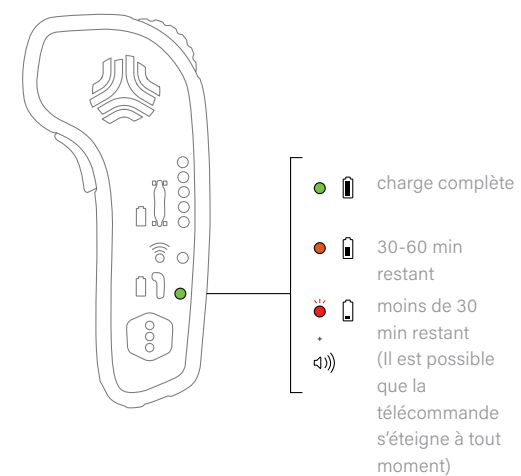
CHARGEMENT DU SKATEBOARD

Avertissement : ne laissez jamais le skateboard sans surveillance lors du chargement.



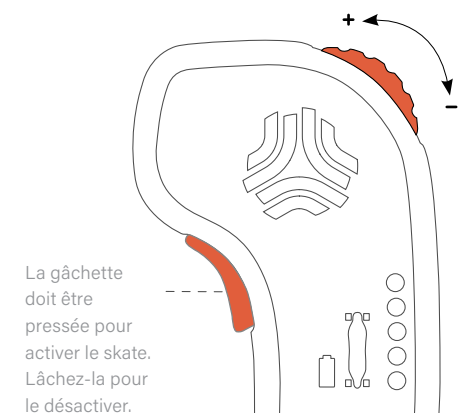
VÉRIFICATION DE LA DURÉE DE VIE DE LA BATTERIE DE LA TÉLÉCOMMANDE

Avertissement : ne commencez jamais à rider avec un indicateur de faible batterie.



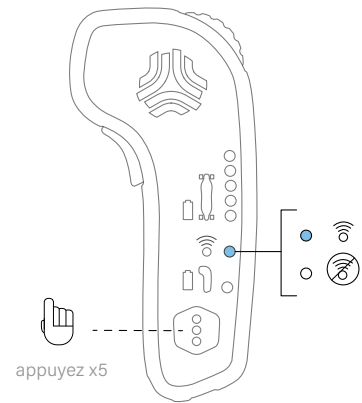
UTILISATION DU SKATEBOARD AVEC LA TÉLÉCOMMANDE

Appuyez sur gâchette et maintenez-la pressée. Tournez la molette d'accélérateur vers l'avant pour avancer. Tournez-la vers l'arrière pour freiner et pour faire marche arrière.

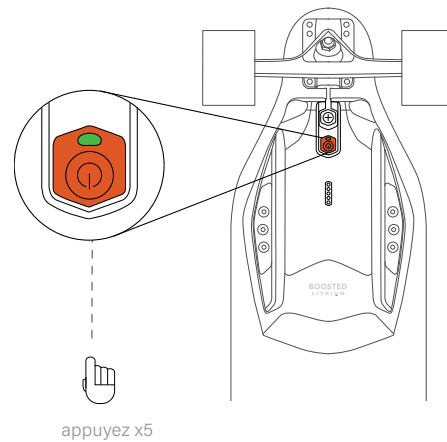


VÉRIFICATION DU JUMELAGE TÉLÉCOMMANDE-SKATE

L'indicateur de connexion et du mode s'illumine en bleu quand le skateboard est jumelé. Si l'indicateur est éteint, assurez-vous que le skateboard est sous tension. Si le voyant ne s'allume toujours pas, appuyez sur le bouton multifonction de la télécommande 5 fois (x5), puis appuyez rapidement sur le bouton

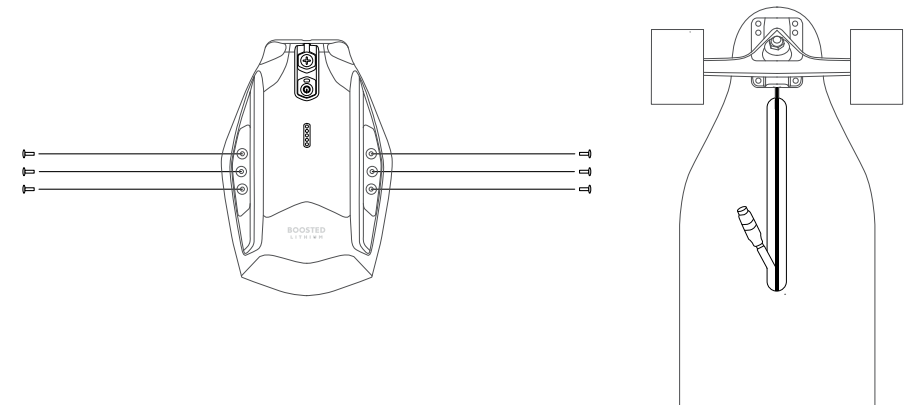


d'alimentation du skateboard 5 fois (x5) pour jumeler votre skate. Comme votre skateboard et votre télécommande ont déjà été jumelés en usine, vous n'aurez généralement besoin de le faire que lorsque vous procéderez au jumelage avec un nouveau skate ou une nouvelle télécommande.



RETRAIT DE LA BATTERIE (ENTRETIEN UNIQUEMENT)

Commencez par vous assurer que le skateboard est éteint. Placez le skateboard à l'envers sur une surface plane. À l'aide d'une clé hexagonale de 4 mm, retirez les six boulons fixant le bloc-batterie à la planche. Soulevez le bloc-batterie pour exposer le connecteur entre la planche et la batterie. À l'aide de pinces pour connecteurs, tournez et retirez avec précaution le connecteur.



REPLACEMENT DE LA BATTERIE

Pour insérer une nouvelle batterie, alignez les rainures sur les deux extrémités du connecteur (skateboard et batterie). Insérez, reliez et entrelacez ensemble les deux extrémités du connecteur. Utilisez les pinces pour connecteurs afin d'assurer une sécurité maximale. Assurez-vous que le connecteur repose à plat dans la rainure du skateboard, côte à côte avec le câble accessoire. Remplacez et serrez les boulons avec la clé hexagonale.

CHANGEMENT DU MODE DE RIDE

Ce skateboard est livré en Mode Débutant. Avant de consulter les instructions pour changer de mode ci-dessous, assurez-vous de maîtriser l'utilisation de la télécommande et du skateboard.

Débutant : accélération limitée, vitesse maximum de 18 km/h, aucune pente.

Éco : accélération modérée, vitesse maximum de 26 km/h, petites pentes.

Expert : forte accélération, vitesse maximum de 32 km/h, dénivelé de pente de 20 %.

Pro : accélération extrême, vitesse maximum de 35 km/h, dénivelé de pente de 25 %.

Hyper (uniquement Stealth) : accélération maxi, vitesse maximum de 38 km/h, dénivelé de pente de 25 %.

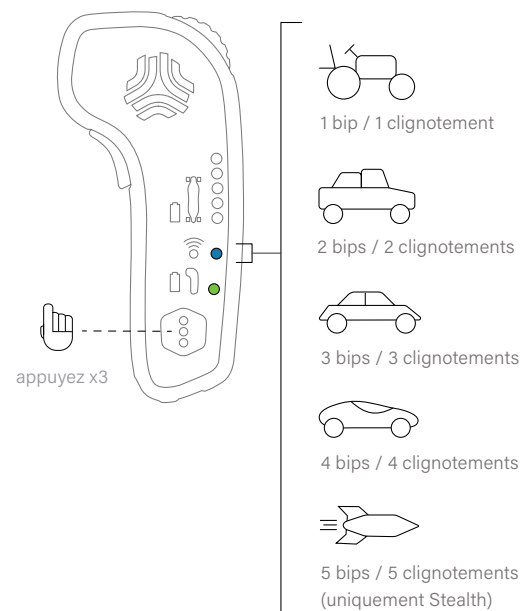
Avertissement : l'accélérateur est beaucoup plus sensible dans les modes Pro et Hyper.

Pour éviter d'être expulsé par l'arrière du skateboard, appliquez ces quelques conseils :

- Gardez les pieds largement écartés l'un de l'autre sur le skate.
- Conservez un centre de gravité bas.
- Tournez la roue de l'accélérateur par petits incréments.
- Penchez-vous vers l'avant lors de l'accélération.
- Penchez-vous en arrière lors du freinage.

Pour faire défiler les modes

Arrêtez-vous complètement. Appuyez sur le bouton multifonction 3 fois (x3) pour changer rapidement de mode. Comptez les clignotements de la LED pour savoir dans quel mode vous êtes. Comptez les bips AUDIO pour savoir dans quel mode vous êtes. (1bip, 2 bips, 3 bips, 4 bips, 5 bips).



PLUS D'INFORMATIONS EN LIGNE

Ce manuel est un guide de démarrage rapide destiné à quelqu'un ayant déjà utilisé un skateboard. Pour des techniques de riding plus pointues, des conseils d'entretien, ou des tutoriels plus détaillés afin d'apprendre à rider, veuillez visiter : boostedboards.com/support ou youtube.com/boostedboards.

AVERTISSEMENTS ET CONSIGNES DE SÉCURITÉ

Cet appareil a été testé et déclaré conforme aux limites imposées aux appareils numériques de classe B, conformément à la partie 15 des réglementations de la FCC. Ces limites sont destinées à assurer une protection raisonnable contre les interférences nuisibles dans une installation résidentielle. Cet appareil génère, utilise et émet de l'énergie de fréquences radio. S'il n'est pas installé et utilisé conformément aux instructions, il peut provoquer des interférences nuisibles aux communications radio. Il n'existe toutefois aucune garantie que de telles interférences ne se produiront pas dans une installation particulière.

Si cet appareil provoque des interférences nocives avec un récepteur radio ou un téléviseur, ce qui peut être détecté en mettant l'appareil sous et hors tension, l'utilisateur peut essayer d'éliminer les interférences en suivant au moins l'une des procédures suivantes :

- Réorientez ou déplacez l'antenne réceptrice.
- Augmentez la distance séparant l'appareil du récepteur.
- Branchez l'appareil sur un circuit différent de celui du récepteur.
- Consultez le fournisseur ou un technicien radio/TV qualifié pour obtenir de l'aide.
- Une exposition prolongée aux rayons UV, à la pluie et aux éléments peut endommager les matériaux des boîtiers. Stockez le produit à l'intérieur lorsque vous ne l'utilisez pas.

INFORMATIONS CONCERNANT LA SÉCURITÉ ET LA MANIPULATION DE LA BATTERIE

Mise en garde

- Il y a un risque d'explosion si vous remplacez la batterie par un modèle incompatible. Jetez les batteries usagées conformément aux instructions.

Avertissement

- Le non-respect des instructions de sécurité peut entraîner un incendie, un choc électrique, une blessure ou endommager le skateboard et la télécommandes ou d'autres biens.

Informations importantes concernant la sécurité et la manipulation

N'essayez pas de démonter le produit sans avoir consulté le service après-vente de Boosted. Si votre produit doit être réparé, contactez le service d'assistance Boosted à support@boostedboards.com.

- Tout changement ou modification fait(e) à ce produit et non expressément approuvé(e) par Boosted risque d'annuler la garantie de l'utilisateur.
- Les skateboards Boosted S3 sont conçus pour être utilisés avec les batteries de série Boosted B2.
- Ne secouez pas la batterie en la faisant tomber ou en la jetant.
- Gardez toujours la batterie hors de la portée des nourrissons et jeunes enfants.
- N'exposez jamais ce produit ou la batterie à des liquides.
- Ne jetez jamais la batterie dans un feu. Cela pourrait entraîner son explosion.
- Ne court-circuitez jamais la batterie en mettant les bornes du connecteur en contact avec un autre objet métallique. Ceci pourrait provoquer des blessures ou un incendie et endommager la batterie.

Votre appareil est équipé d'une batterie interne au lithium-ion rechargeable qui peut présenter un risque d'incendie ou de brûlure chimique en cas de mauvais traitement. Ne chargez ou n'utilisez pas l'appareil dans une voiture ou dans un endroit similaire où la température intérieure est supérieure à 40°C.

Informations concernant la charge de la batterie

Le cordon, la prise, le boîtier et les autres pièces du chargeur fourni avec le skateboard électrique doivent être régulièrement contrôlés afin de s'assurer qu'ils ne sont pas endommagés. En cas de dommage, le skateboard ne doit pas être chargé avant la réparation ou le remplacement du chargeur.

Débranchez le chargeur et déconnectez-le du skateboard entre chaque utilisation.

Mise en garde

- Utilisez uniquement le chargeur dédié fourni avec cet appareil.
- Conçu pour un usage intérieur. N'exposez pas le chargeur à du liquide, de la moiteur ou à une humidité extrême.
- Ne chargez pas le skateboard Boosted Modèle S3 ou la télécommande Boosted R2 à l'extérieur ou sous la pluie.

Avertissement

- Le cordon d'alimentation est utilisé comme appareil de déconnexion. Si vous devez faire réparer l'appareil, mettez-le complètement hors tension en déconnectant le cordon d'alimentation du chargeur.
- Arrêtez de charger le skateboard et/ou la télécommande si la charge n'est pas terminée dans le délai imparti.
- Arrêtez de charger le skateboard et/ou la télécommande si les batteries surchauffent, dégagent une odeur, se décolorent, se déforment ou si des conditions anormales sont détectées pendant l'utilisation ou le stockage.
- Ne chargez pas le skateboard et/ou la télécommande si le boîtier de la batterie est fissuré, gonflé, ou montre des signes d'usage abusif. Cessez immédiatement d'utiliser l'appareil et débarrassez-vous en.

INFORMATIONS CONCERNANT LA MISE À LA DÉCHARGE DE LA BATTERIE ET DU PRODUIT

- Votre appareil ne doit jamais être mis dans les ordures ménagères. Vérifiez les réglementations locales pour une mise à la décharge appropriée des produits électroniques.
- Si cet appareil montre un quelconque dommage, que ce soit un gonflement, une dilatation ou une défiguration, cessez de l'utiliser et contactez immédiatement l'assistance client en appelant le +1 (650) 933-5151.
- Débarrassez-vous des batteries usagées conformément aux règlements communautaires en vigueur qui s'appliquent à la disposition des batteries.
- Ne jetez jamais les batteries usagées avec d'autres déchets solides ordinaires.
- Les batteries contiennent des substances toxiques.

Clause de non-responsabilité

Avant d'utiliser un produit Boosted, nous recommandons vivement de rechercher les réglementations locales et les lois applicables à votre pays. Il est de votre responsabilité de respecter toutes les lois applicables et les réglementations. Boosted décline toute responsabilité quant à l'utilisation des produits Boosted.

SÉCURITÉ ET CONFORMITÉ

Environnement de fonctionnement optimal

Température : 5°C - 40°C

Humidité : 0 % - 90 %

Spécifications électriques

Entrée du chargeur : 100-240V, 50/60Hz,

2,0A (usage intérieur uniquement)

Sortie du chargeur : 54,4V, 2,21A courant constant,

120W max (usage intérieur uniquement)

Skateboard S3 : puissance nominale 54,4V, 2-5A

Modèle télécommande R2 : 5V, 500mA

Poids du produit

Skateboard + batterie : 6,95 kg pour la série

standard et 7,7 kg avec la batterie longue portée

Batterie de la gamme standard : 1,5 kg

Batterie longue portée : 2,25 kg

Dimensions du produit

Skateboard + batterie : 28,7 cm x

96,5 cm x 14,5 cm (l x L x H)

Batterie standard uniquement : 19,1 cm x 27,4 cm x 4,6 cm

(l x L x H)

Batterie longue portée uniquement :

19,1 cm x 29 cm x 5,8 cm

(l x L x H)

Autonomie estimée de riding

Batterie standard : jusqu'à 11 km d'autonomie

estimée pour une charge totale de 80 kg, en mode

Éco, sur une surface plate et lisse sans vent

Batterie longue portée : jusqu'à 22 km d'autonomie

estimée pour une charge totale de 80 kg, en mode

Éco, sur une surface plate et lisse sans vent

Vitesse de pointe

Boosted Stealth : Une vitesse de pointe estimée à

38 km/h est basée sur une surface plane et lisse sans vent.

Boosted Plus : Une vitesse de pointe estimée à 35 km/h

est basée sur une surface plane et lisse sans vent.

Dénivelé de pente

Tests réalisés avec une charge de 80 kg sur 25 % de pente.

Protection environnementale

Boosted contribue aux coûts de recyclage et de débarras

de déchets selon les lois applicables. Les appareils

électroniques, les batteries, les accumulateurs et le

matériau d'emballage ne doivent pas être jetés dans

les ordures ménagères. Prière de bien vouloir les

recycler aux points de collecte garantis eco-système.

Renseignez-vous auprès de votre administration locale.



GARANTIE

Pour examiner la politique de retour et de garantie

de Boosted, Inc, accédez à www.boostedboards.com/terms-and-conditions/return-warranty.

Pour toute expédition de retour :

Vous devez conserver le colis d'expédition. La

garantie ne couvre pas les dommages d'une

expédition retour dans un emballage insuffisant.

Si vous avez des soucis avec votre skateboard,

veuillez contacter le service de support de Boosted

sur www.boostedboards.com, ou envoyez un

email à service@boostedboards.com.

Vous pouvez également joindre le service de

support de Boosted au : +1 (650) 933-5151.

WARNING: VOR DEM ERSTBRAUCH BITTE DIE FOLGENDEN HINWEISE LESEN

Dein Board kann jederzeit Antrieb oder Bremsfähigkeit verlieren. Dies kann durch Funkstörungen zwischen der Fernbedienung und dem Board, einen leeren Fernbedienungs-Akku, das versehentliche Loslassen des Auslösers, das Bremsen bei vollständig geladenem Akku und andere Faktoren verursacht werden. Fahre daher nur so schnell und steil, wie du es dir auch ohne Antrieb und Bremsen zutrauen würdest.

Wenn du mit einem vollen Akku bergab fährst, schaltet das Board ab und es verliert vorübergehend seine Bremsfähigkeit. Der Akku würde sonst vom regenerierenden Bremsen überladen. Wenn die Bremsfähigkeit nachlässt, wird die Fernbedienung dich mit einem Piepton warnen. Fahre Kurven oder brems mit dem Fuß, um sicher zum Stehen zu kommen. Fahre dann flach oder bergauf, um den Akku etwas zu leeren, bevor du wieder bergab fährst.

Der Beschleunigungsregler ist in höheren

Fahrprofilen extrem feinfühlig. Freue dich auf ein tolles Ansprechverhalten und Ride-Erlebnis, aber sei dir bewusst, dass eine schnelle oder abrupte Bedienung eher zu Stürzen führen kann. Beginne in diesen Modi zunächst mit möglichst langsamen Fahrten.

Bergabfahrten und schnelles Skaten können

sehr gefährlich sein, da Stürze zu schweren Verletzungen führen können. Sei beim Fahren mit dem Board besonders vorsichtig, selbst wenn du ein erfahrener Rider bist.

Skaten im Straßenverkehr kann zu tödlichen Unfällen

führen. Also sei immer aufmerksam, wenn du mit anderen Verkehrsteilnehmern die Straße teilst. Fahre stets defensiv und gehe davon aus, dass andere dich nicht sehen. Sei dir bewusst, dass das Board jederzeit Antrieb oder Bremsfähigkeit verlieren kann. Mach dich mit der Gesetzeslage vertraut, bevor du auf öffentlichen Straßen, Fahrradwegen, Bürgersteigen oder anderen Orten fährst.

Schütze dein Board. Wir haben das Board so entwickelt, dass es Stöße und Vibrationen verkraftet, die beim Fahren in verschiedenen Umgebungen entstehen. Allerdings können das Runterfahren von Bordsteinen, Springen, Aufschlagen, sowie andere Arten harten Aufprallens im Laufe der Zeit elektronische Bauteile beschädigen. Wir empfehlen dringend, dass du dein Board regelmäßig vor dem Fahren überprüfst und wartest.

Trage immer einen Helm. Weitere Schutzkleidung wie Handschuhe, Gelenkschoner und lange Ärmel sind sehr empfehlenswert.

Warnung:

Wenn du ein Boosted-Board fährst und die Kontrolle oder die Bremsfähigkeit verlierst, stürzt oder einen Unfall hast, kannst du dir dabei schwere und tödliche Verletzungen zuziehen. Um sicher zu fahren, musst du alle Warnhinweise und Anweisungen in diesem Handbuch lesen.

Warnung:

Trage beim Fahren immer einen Helm. Fahre nie im Wasser, im Regen, auf nassen, rutschigen oder unebenen Oberflächen, an steilen Hängen, im Straßenverkehr, über Straßenrillen, Bahngleise, unbefestigte Straßen, Steine oder andere Hindernisse, auf denen du die Haftung verlieren kannst. Fahre nach Möglichkeit nicht nachts, in Gebieten mit schlechter Sicht oder auf engen Flächen.

Warnung:

Fahr ein Boosted-Board nicht in Umgebungen, an Hängen oder mit Geschwindigkeiten, bei denen du ein antriebsloses Skateboard nicht sicher beherrschen würdest. Falls Funkstörungen auftreten, du die Bremsfähigkeit verlierst oder der Akku versagt, bist du auf deine Skatingfähigkeiten wie Fußbremsen oder Sliden angewiesen, um anzuhalten.

Warnung: Vermeide Wasser

Fahre nicht auf nassen oder vereisten Oberflächen. Von Wasser hergeleitete Schäden werden von der Garantie nicht abgedeckt und selbst geringe Wassermengen können gegebenenfalls schon Schaden an der Elektronik des Boards anrichten. Das Fahren ist auf nassem oder vereistem Boden besonders gefährlich, da du schnell Kontrolle und Straßenhaftung verlieren kannst.

Warnung: Einklemmgefahr

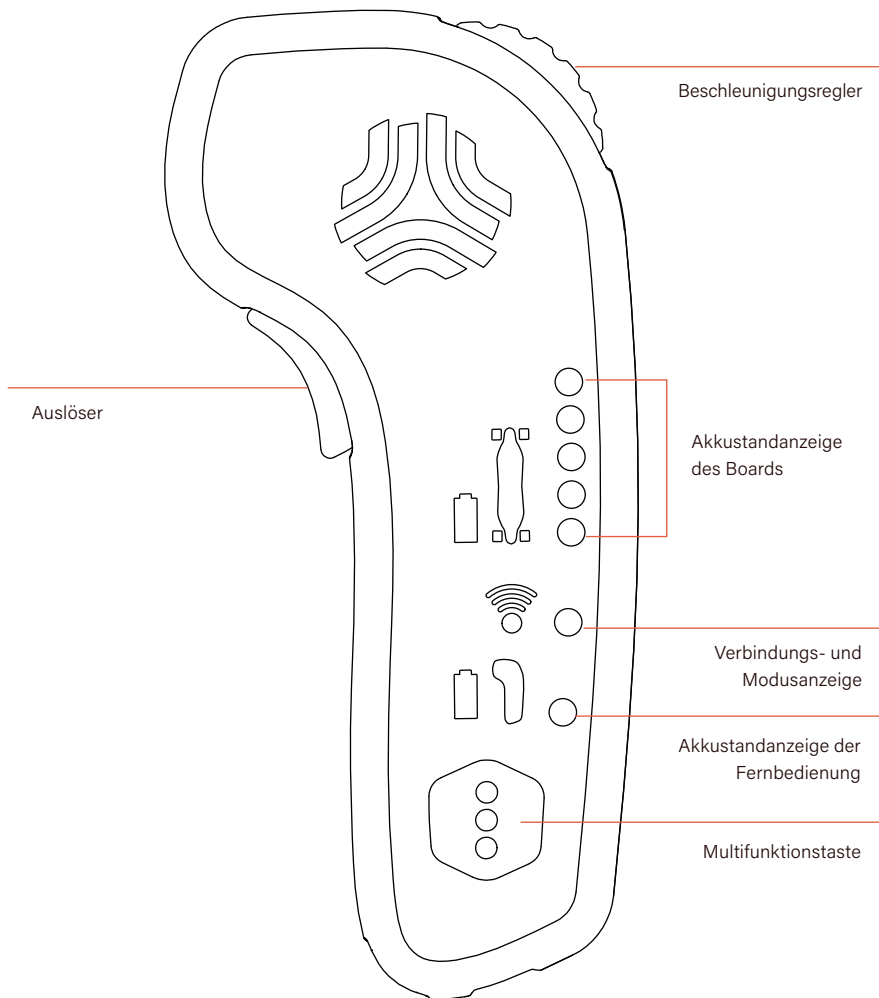
Achte darauf, dass du mit den Fingern, Haaren oder der Kleidung nicht in die Antriebsriemen, Motoren, Räder und sonstige beweglichen Teile kommst.

Warnung: Gefahr eines elektrischen Schlags

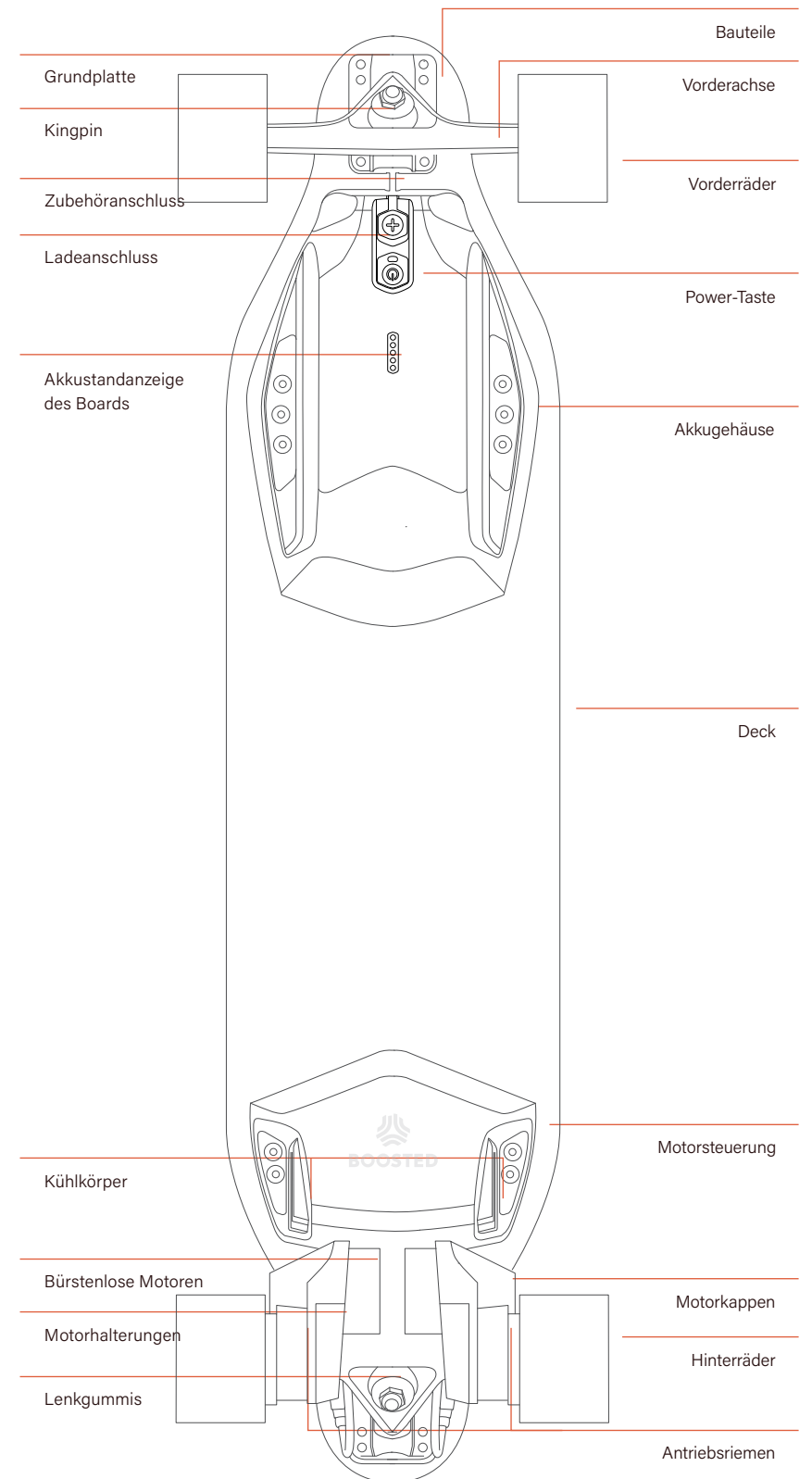
Öffne oder hantiere nicht am Elektronikgehäuse herum. Dadurch ginge auch dein Garantieanspruch verloren.

Fahre verantwortungsbewusst und respektiere deine Mitmenschen. Deine Fahrweise hat Einfluss darauf, wie diese neue Fortbewegungsart von anderen gesehen wird.

GLOSSAR ZUR FERNBEDIENUNG



GLOSSAR ZUM BOARD



SCHUTZ- UND SICHERHEITSHINWEISE

- Trage immer einen Helm.
- Such dir für die erste Fahrt eine offene, ebene Fläche mit sauberem Straßenbelag.
- Lies die Warnhinweise auf dem Board und am Anfang dieses Handbuchs. Mehr Details zum Fahren findest du in den Online-Tutorials unter boostedboards.com/support.
- Weitere Schutzausrüstung (Knieschoner, lange Ärmel, Handgelenkschutz) wird dringend empfohlen.

Vermeide alles, was zu Kontrollverlust und Zusammenstößen führen kann:

Schotter	Größere Steine
Wasser	Straßenrillen
Steile Hügel	Verkehr
Abhänge	Dunkelheit
Bahngleise	Schlechte Sicht
Gitter/Gullys	Enge Flächen
Nasse Oberflächen	Rutschige Oberflächen
Regen	Unebenheiten
Hindernisse	

EINMALEINS DES FAHRENS

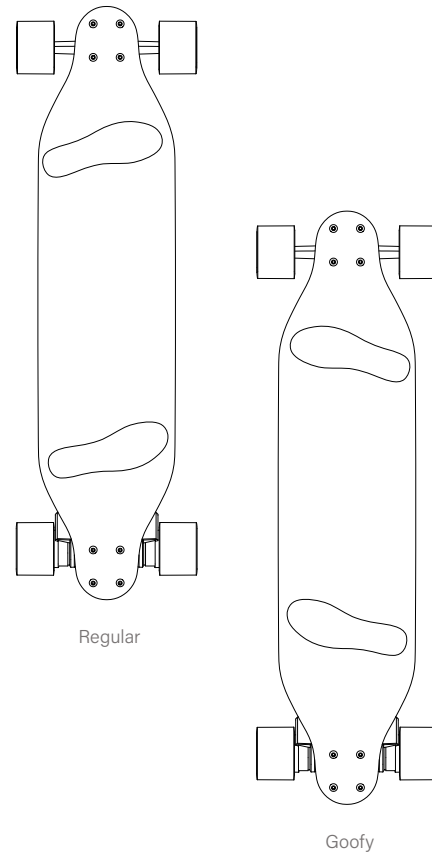
Manche Menschen fahren mit beiden Füßen vorne genau gleich gut, doch die meisten haben einen dominanten Fuß. Um deinen dominanten Fuß zu erkennen, stelle dich mit geschlossenen Füßen auf festen Boden und beuge dich nach vorn, bis du fällst. Der Fuß, mit dem du nach vorn trittst, um dich aufzufangen, ist wahrscheinlich dein dominanter Fuß, mit dem du beim Fahren vorn stehen solltest. Wenn du mit dem linken Fuß vorn stehst, fährst du „regular“. Wenn du mit dem rechten Fuß vorn stehst, fährst du „goofy“.

Falls du nicht weißt, welchen Fuß du nehmen sollst, entscheide dich für den, mit dem du beim Fahren den Verkehr im Blick hast.

FAHRPOSITION

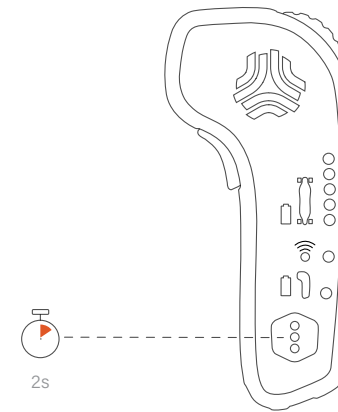
Dein Boosted-Board hat einen starken Antrieb. Befolge diese Hinweise, um ein sicheres Fahrerlebnis zu haben:

- Stehe breit auf dem Board.
- Halte den Schwerpunkt tief.
- Bewege den Beschleunigungsregler in kleinen Schritten.
- Lehne dich nach vorn, wenn du beschleunigst.
- Lehne dich zurück, wenn du bremsst.



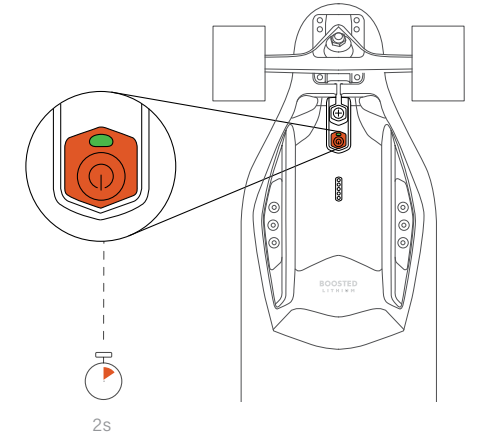
EIN-/AUSSCHALTEN DER FERNBEDIENUNG

Drücke die Multifunktions-Taste für 2 Sekunden.



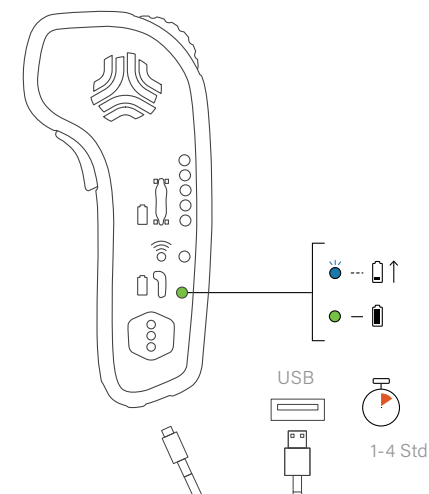
EIN-/AUSSCHALTEN DES BOARDS

Drücke die Power-Taste für 2 Sekunden.



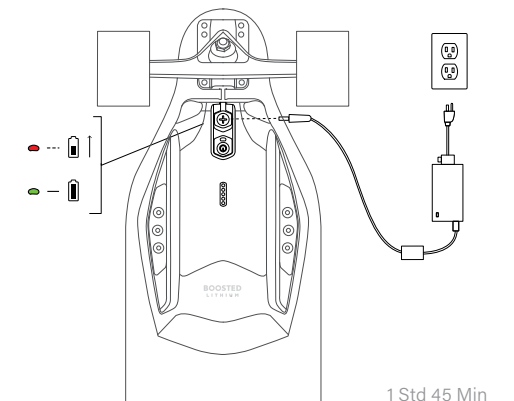
AUFLADEN DER FERNBEDIENUNG

Je nach Leistungsfähigkeit deines USB-Anschlusses, benötigt die Fernbedienung 1 bis 4 Stunden um vom leeren Zustand aufzuladen. Wenn die Fernbedienung jedes Mal geladen wird, wenn auch das Board geladen wird, sollte die Fernbedienung den Ladevorgang vor dem Board abschließen.



AUFLADEN DES BOARDS

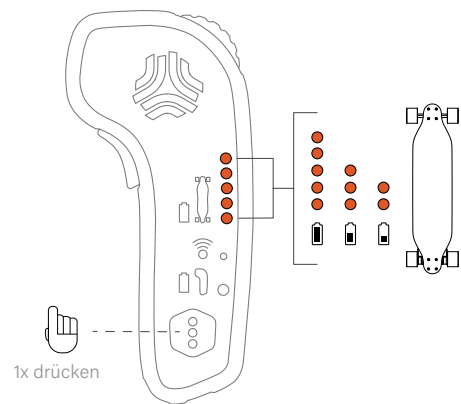
Warnung: Lass das Board beim Laden nie unbeaufsichtigt.



PRÜFEN DER AKKULAUFZEIT DES BOARDS

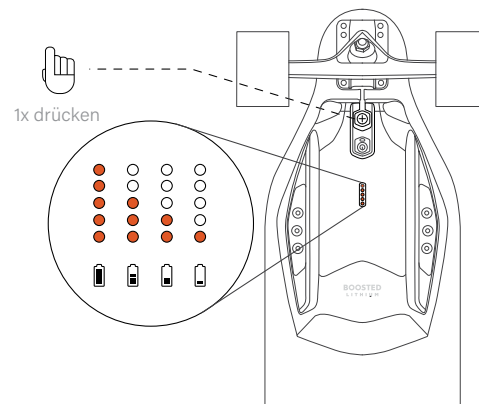
Auf der Fernbedienung

Drück die Multifunktionstaste bei eingeschaltetem Board einmal (1x). Die LEDs



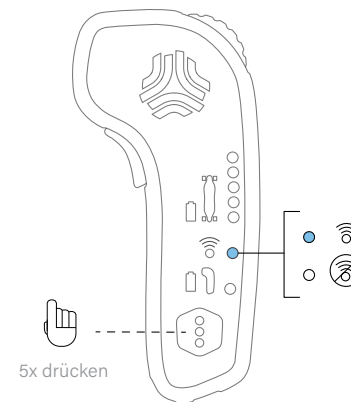
Auf dem Board

Drück die Power-Taste bei eingeschaltetem Board einmal (1x). Die LEDs auf dem Board zeigen den Akkustand an.

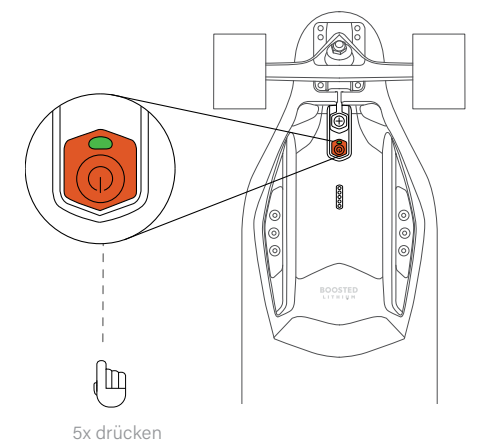


KOPPLUNG VON FERNBEDIENUNG UND BOARD PRÜFEN

Wenn die Kopplung mit dem Board hergestellt ist, leuchtet die Verbindungs- und Modusanzeige blau. Falls die Anzeige nicht leuchtet, überprüfe, ob das Board eingeschaltet ist. Wenn sie immer noch nicht leuchtet, drück die Multifunktionstaste auf der Fernbedienung fünfmal (5x) und danach die Power-Taste auf dem

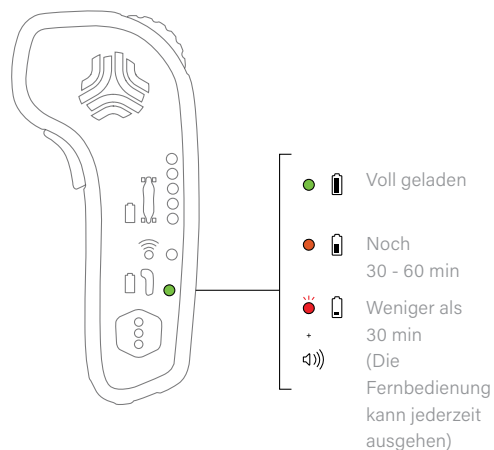


Board fünfmal (5x) schnell, um dein Board zu koppeln. Dein Board und die Fernbedienung wurden bereits im Werk gekoppelt. Deshalb musst du diese Schritte normalerweise nur ausführen, wenn du ein neues Board oder eine neue Fernbedienung koppeln möchtest.



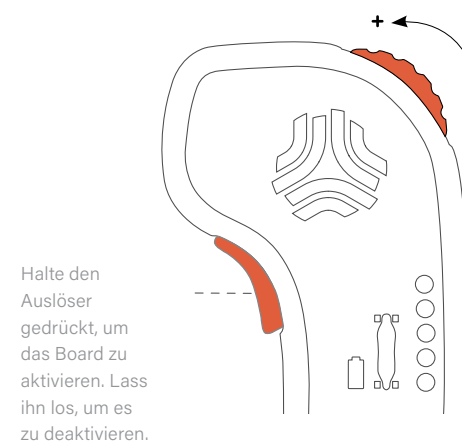
PRÜFEN DER AKKULAUFZEIT DER FERNBEDIENUNG

Warnung: Fahre niemals mit einer niedrigen Akkustandanzeige der Fernbedienung los.



STEUERN DES BOARDS MIT FERNBEDIENUNG

Betätige den Auslöser und halte ihn gedrückt. Dreh den Beschleunigungsregler nach vorne, um mit dem Board vorwärts zu fahren. Dreh ihn nach hinten, um rückwärts zu fahren und zu bremsen.



ÄNDERN DES FAHRMODUS

Das Board wird im Anfängermodus ausgeliefert. Bevor du die unten stehenden Anweisungen zum Wechseln der Modi befolgst, solltest du die Bedienung von Board und Fernsteuerung beherrschen.

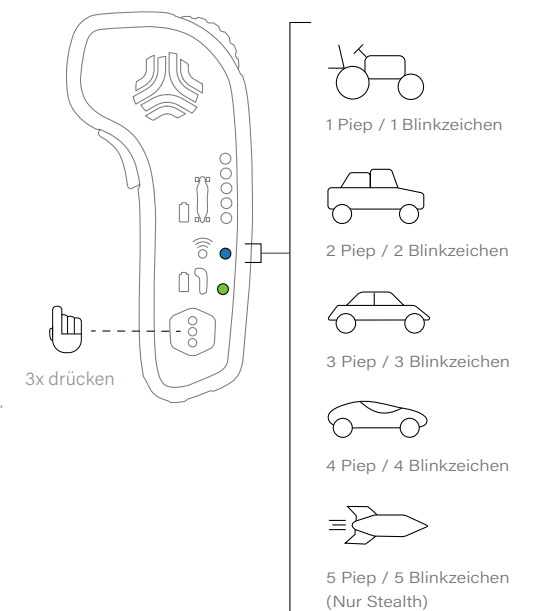
- Anfänger:** Begrenzte Beschleunigung, Höchstgeschwindigkeit bis 18 km/h, keine Anstiege.
- Eco:** Moderate Beschleunigung, Höchstgeschwindigkeit bis 26 km/h, kleine Anstiege.
- Expert:** Hohe Beschleunigung, Höchstgeschwindigkeit bis 32 km/h, 20 % Steigung.
- Pro:** Extreme Beschleunigung, Höchstgeschwindigkeit bis 35 km/h, 25 % Steigung.
- Hyper:** (Nur Stealth): Maximale Beschleunigung, Höchstgeschwindigkeit bis 38 km/h, 25 % Steigung.

Warnung: Der Beschleunigungsregler reagiert in den Pro- und Hyper-Modi sehr viel empfindlicher.

Damit du nicht vom Board geworfen wirst, beachte folgende Hinweise:

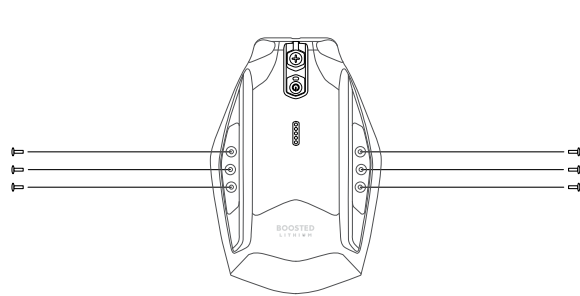
- Stehe breit auf dem Board.
- Halte den Schwerpunkt tief.
- Bewege den Beschleunigungsregler in kleinen Schritten.
- Lehne dich nach vorn, wenn du beschleunigst.
- Lehne dich zurück, wenn du bremsst.

So wechselst du zwischen den Fahrmodi
Bleib komplett stehen. Drück die Multifunktionstaste dreimal (3x) schnell, um die Modi zu wechseln. Wie oft die LEDs blinken, sagt dir, in welchem Modus du dich befindest. Die Anzahl der Pieptöne sagt aus, in welchem Modus du dich befindest. (1 Piep, 2 Piep, 3 Piep, 4 Piep, 5 Piep).



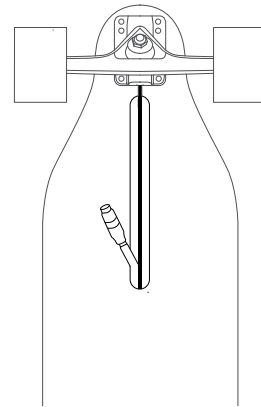
ENTFERNEN DES AKKU-PACKS (NUR WARTUNG)

Achte darauf, dass das Board ausgeschaltet ist. Dreh das Board auf einer ebenen Fläche mit der Unterseite nach oben. Entferne die sechs Schrauben, die den Akku am Deck befestigen, mit einem 4-mm-Inbusschlüssel. Hebe den Akku an, um den Anschlussstecker zwischen Deck und Akku freizulegen. Benutze zwei Verbindungszangen, um den Stecker zu drehen und vorsichtig abzuziehen.



AUSTAUSCHEN DES AKKU-PACKS

Um einen neuen Akku einzusetzen, bringe die Rillen an beiden Enden des Steckers (Board und Akku-Pack) zusammen. Verbinde die beiden Stecker und drücke sie zusammen. Ziehe sie dann handfest an. Benutze die Akkuverbindungszangen, um für einen festen Sitz zu sorgen. Achte darauf, dass der Stecker flach im Kabelkanal des Boards neben dem Zubehörcabel liegt. Setze die Schrauben wieder ein und ziehe sie mit dem Inbusschlüssel fest.



AUSFÜHRLICHERE INFORMATIONEN ONLINE

Dieses Handbuch ist eine Kurzanleitung zum schnellen Einstieg für Personen mit Skateboard-Erfahrung. Informationen zu fortgeschritteneren Fahrtechniken, Wartungshinweise und detaillierte Übungen zum Fahrenlernen findest du unter boostedboards.com/support oder youtube.com/boostedboards.

WARN- UND SICHERHEITSHINWEISE

Das vorliegende Gerät erfüllt die Grenzwertbestimmungen für digitale Geräte der Klasse B nach Teil 15 der FCC-Regeln zur Funkstörung. Diese Anforderungen sind so ausgelegt, dass ein angemessener Schutz gegen Störungen bei Heimwendungen gewährleistet ist. Dieses Gerät erzeugt, verwendet und kann Hochfrequenzenergie abstrahlen. Bei unsachgemäßer Installation und Verwendung oder Nichtbeachtung der Anweisungen kann dies zu Störungen im Funkverkehr führen. Allerdings können auch bei Beachtung aller Anweisungen Funkstörungen nicht generell ausgeschlossen werden.

Sollte dieses Gerät den Radio- oder Fernsehempfang stören (du kannst dies überprüfen, indem du das Gerät aus- und wieder einschaltest), solltest du zunächst versuchen, die Störungen durch eine der folgenden Maßnahmen zu beheben:

- Richte die Empfangsantenne neu aus.
- Vergrößere den Abstand zwischen Gerät und Empfänger.
- Schließe das Gerät an eine Steckdose an, die nicht mit dem Stromkreis des Empfängers verbunden ist.
- Wende dich an einen Fachhändler oder erfahrenen Radio-/Fernsehtechniker.
- Bei längerer Einwirkung von UV-Strahlung, Regen und Witterung können die Gehäusematerialien beschädigt werden. Bitte bewahre das Gerät bei Nichtbenutzung in Innenräumen auf.

Wichtige Hinweise zur Sicherheit und Handhabung

Versuche nicht, das Produkt ohne Rücksprache mit der Serviceabteilung von Boosted auseinanderzubauen. Falls dein Gerät gewartet werden muss, wende dich an den Boosted-Support unter support@boostedboards.com.

- Durch Veränderungen am Produkt, die nicht ausdrücklich von Boosted genehmigt wurden, können die Garantieansprüche erlöschen.
- Boosted Model S3-Skateboards sollten nur mit Akkus der Boosted Model B2-Serie betrieben werden.
- Setz den Akku keinen Stößen aus, indem du ihn fallen lässt oder wirfst.
- Halte den Akku immer außer Reichweite von Säuglingen oder kleinen Kindern.
- Lass dieses Produkt oder den Akku nicht mit Flüssigkeiten in Berührung kommen.
- Wirf den Akku nicht ins Feuer, da dieser sonst explodieren könnte.
- Schließe den Akku nie kurz, indem du die Steckeranschlüsse mit anderen Metallgegenständen in Kontakt bringst. Das könnte zu Verletzungen oder Feuer führen und auch den Akku beschädigen.

Dein Gerät enthält einen internen wiederaufladbaren Lithium-Ionen-Akku, von dem bei falschem Umgang eine Brand- oder Verätzungsgefahr ausgeht. Lade oder verwende das Gerät nicht bei Temperaturen von mehr als 40 °C.

Hinweise zur Akku-Aufladung

Das mit dem elektrischen Skateboard gelieferte Ladegerät sollte regelmäßig auf Beschädigungen an Kabel, Stecker, Gehäuse und anderen Teilen untersucht werden. Falls eine Beschädigung vorliegt, darf das Skateboard nicht aufgeladen werden, bis das Ladegerät repariert oder ausgetauscht wurde.

Trenne das Ladegerät bei Nichtgebrauch vom Stromnetz und vom Skateboard.

WICHTIGE HINWEISE ZUR SICHERHEIT UND HANDHABUNG DES AKKUS

Achtung

- Explosionsgefahr, wenn der Akku mit einem falschen Typ ersetzt wird. Entsorge verbrauchte Akkus gemäß den Anweisungen.

Warnung

- Wenn du die Sicherheitshinweise nicht befolgst, besteht die Gefahr von Feuer, Stromschlag und anderen Verletzungen, oder das Skateboard und die Fernbedienung oder andere Gegenstände können Schaden nehmen.

Achtung

- Verwende nur das zur Verfügung gestellte Ladegerät.
- Nur für die Verwendung in Innenräumen. Setze das Ladegerät keiner Nässe oder extremen Feuchtigkeit aus.
- Lade das Boosted Model S3-Skateboard und die Boosted Model R2-Fernbedienung nicht draußen oder im Regen auf.

Warnung

- Das Netzkabel dient als Abschaltvorrichtung. Um das Ladegerät vollständig spannungsfrei zu machen, trenne das Netzkabel vom Ladegerät.
- Beende den Ladevorgang, wenn die Aufladung des Skateboards und/oder der Fernbedienung nicht in der angegebenen Zeit abgeschlossen ist.
- Beende den Ladevorgang, wenn die Akkus von Skateboard und/oder Fernbedienung ungewöhnlich heiß werden, zu riechen beginnen, sich verfärben, verformen oder wenn du beim Gebrauch, Aufladen oder Aufbewahren Ungewöhnliches feststellst.
- Lade das Skateboard und/oder die Fernbedienung nicht auf, wenn das Akkugehäuse Risse bekommt, anschwillt oder andere Anzeichen unsachgemäßen Gebrauchs aufweist. Stell die Nutzung sofort ein und entsorge den Akku unverzüglich.

HINWEISE ZUR ENTSORGUNG DES PRODUKTS UND DER AKKUS

- Dein Gerät darf nicht mit dem Hausmüll entsorgt werden. Bitte beachte die örtlichen Vorschriften für die Entsorgung elektronischer Geräte.
- Wenn dieses Gerät Anzeichen von Beschädigung, z. B. Wölbungen, Aufquellungen oder Verformungen, aufweist, stell die Nutzung ein und kontaktiere unverzüglich den Kunden-Support unter der Nummer +1-650-933-5151.
- Entsorge verbrauchte Akkus gemäß den geltenden örtlichen Entsorgungsvorschriften für Batterien und Akkus.
- Entsorge verbrauchte Akkus nie zusammen mit herkömmlichen Abfällen.
- Akkus enthalten giftige Substanzen.

Haftungsausschluss

Bevor du ein Produkt von Boosted verwendest, empfehlen wir dir dringend, dich mit den örtlichen Vorschriften und landesspezifischen Gesetzen vertraut zu machen. Letztendlich bist du für die Einhaltung aller geltenden Gesetze und Vorschriften verantwortlich und Boosted übernimmt keinerlei Haftung in Bezug auf deine Nutzung von Boosted-Produkten.

SICHERHEIT UND VORSCHRIFTEN

Optimale Betriebsumgebung

Temperatur: 5 °C - 40 °C
Luftfeuchtigkeit: 0 % - 90 %

Elektrische Eigenschaften

Ladegerät Eingang: 100 - 240, 50/60 Hz, 2,0 A (nur für den Einsatz im Innenbereich)
Ladegerät Ausgang: 54,4 V, 2,21 A Konstantstrom, 120 W max. (nur für den Einsatz im Innenbereich)
Model S3-Skateboard: Nennspannung 54,4 V, 2 - 5 A
Model R2-Fernbedienung: 5 V, 500 mA

Produktgewicht

Board + Akku: 6,95 kg (Standard Range) und 7,7 kg (Extended Range)
Standard Range-Akku: 1,5 kg
Extended Range-Akku: 2,25 kg

Produktabmessungen

Board + Akku: 28,7 cm x 96,5 cm x 14,5 cm (B x L x H)
Standard Range-Akku alleine: 19,1 cm x 27,4 cm x 4,6 cm (B x L x H)
Extended Range-Akku alleine: 19,1 cm x 29,0 cm x 5,8 cm (B x L x H)

Geschätzte Reichweite

Standard Range-Akku: Die geschätzte Reichweite von 11 km basiert auf einer Gesamtlast von 80 kg im Eco-Modus auf einer glatten, flachen Oberfläche ohne Wind.
Extended Range-Akku: Die geschätzte Reichweite von 22 km basiert auf einer Gesamtlast von 80 kg im Eco-Modus auf einer glatten, flachen Oberfläche ohne Wind.

Höchstgeschwindigkeit

Boosted Stealth: Die geschätzte Höchstgeschwindigkeit von bis zu 38 km/h basiert auf einer glatten, flachen Oberfläche ohne Wind.
Boosted Plus: Die geschätzte Höchstgeschwindigkeit von bis zu 35 km/h basiert auf einer glatten, flachen Oberfläche ohne Wind.

Anstieg

Getestet mit einem 80 kg Gesamtgewicht bei einer Steigung von 25 %.

Umweltschutz

Boosted beteiligt sich wo anwendbar an Recycling- und Entsorgungskosten. Elektrische und elektronische Geräte, Batterien, Akkus und Verpackungsmaterial sollten nicht im Abfall entsorgt werden. Bitte bringe das Gerät zu einer entsprechenden Sammelstelle. Erkundige dich beim örtlichen Amt nach Recycling-Tipps.



GARANTIE

Informationen zu den Rückgabe- und Garantiebestimmungen von Boosted, Inc. findest du unter www.boostedboards.com/terms-and-conditions/return-warranty.

Für alle Rücksendungen:

Bitte bewahre deinen Versandkarton auf. Die Gewährleistung erstreckt sich nicht auf Schäden, die bei der Rücksendung in unzureichender Verpackung entstanden sind.

Wende dich bitte bei allen Fragen zu deinem Board an den Boosted Support, entweder über www.boostedboards.com oder per E-Mail an service@boostedboards.com.

Der Boosted Support ist auch telefonisch erreichbar unter: +1-650-933-5151.

